

Sjogren[®]

Industries

Replacement Wear Products For The Testing And
Quality Markets

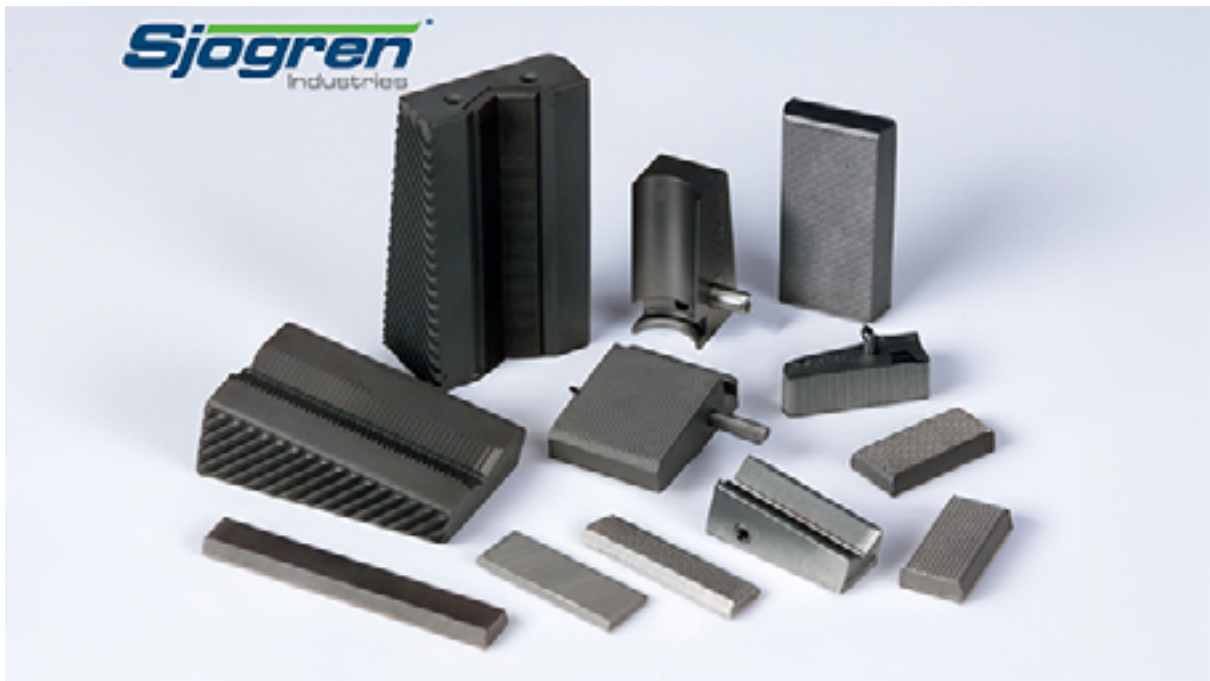
Since
1927

TENSILE TESTING



MANUFACTURER
OF PRECISION
EQUIPMENT
FOR FERROUS AND
NON-FERROUS MATERIAL

- ▶ **03 INTRODUCTION**
- ▶ **04 INSTRON STYLE JAWS**
- ▶ **07 TINIUS OLSEN STYLE JAWS**
- ▶ **18 BALDWIN/SATEC STYLE JAWS**
- ▶ **24 FORNEY STYLE JAWS**
- ▶ **26 UNITED CALIBRATION STYLE JAWS**
- ▶ **27 TESTING MACHINES**

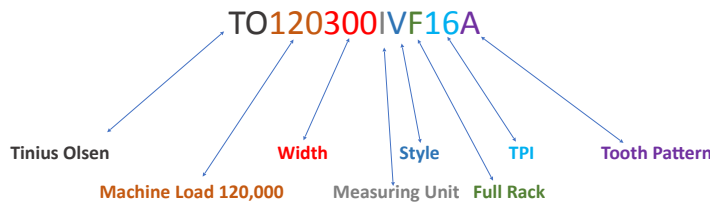




As a leader in the aftermarket supply of testing components, Sjogren industries has implemented a Smart Part Numbering System which allows our customers to build and customize their particular requirements. With this system you can now control how you identify your component inventory system by combining part numbers and descriptions simplifying your order processing.

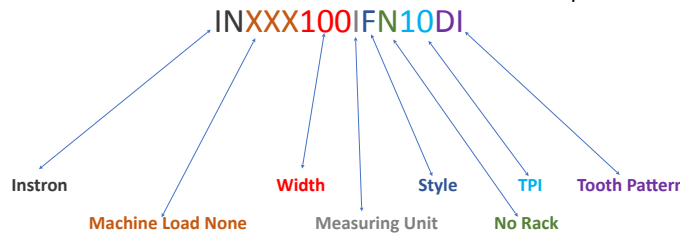
In the below chart, Sjogren identifies the critical requirements for building the Smart Part Number. As stated with all Testing Machines, this information is listed on the machine or in the owners manual. There are five predominant machine builders that produce machines with Load Capacity ranges of 5,000-600,000 lbs. Instron utilizes a 1" or 2" requirement for all their Inserts and Holders. Varying Maximum Wire Diameters, Jaw Sizes, Styles and Gear Racks are designed to fit particular machines. Teeth Per Inch and Patterns can be personalized to your requirements.

The Smart Part Numbering System follow a simply yet logical pattern. For example, if you have a Tinius Olsen machine with 120,000 Capacity, Vee Jaw and Full Rack for .250-.500" Wire Diameter then your Smart Part Number could be:



** In this example the TPI (Teeth Per Inch) and Tooth Pattern can be customer preference.

A second example of the Smart Part Numbering System would be for a Instron Machine with 1" Flat Jaws, no Gear Rack for Maximum Wire Diameter of .500" with 10 Teeth per Inch and Diamond Pattern.

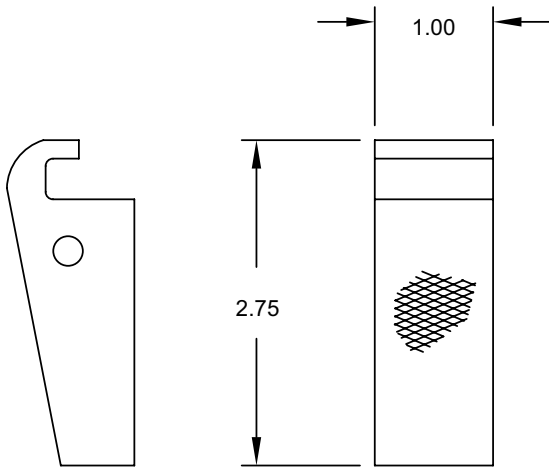


** In this example the TPI (Teeth Per Inch) and Tooth Pattern can be customer preference.

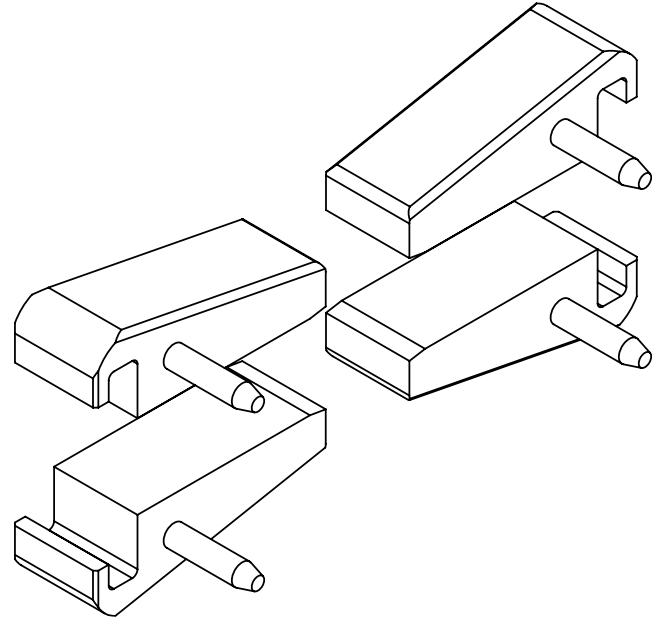
OPTIONAL FEATURES AVAILABLE

OEM MACHINE MANUFACTURER	MACHINE CODE	MACHINE LOAD SIZE	LOAD SIZE CODE	WIDTH	WIRE DIAMETER CODE	MEASURING UNITS	Units Code	STYLE	STYLE CODE	GEAR RACK	GEAR RACK CODE	TEETH PER INCH TPI	TPI CODE	TPI PATTERN	PATTERN CODE
Instron	IN	5,000lbs.	XX5	.75"	075	Inches	I	Flat	F	Full	F	10	10	Diagonal	A
Tinius Olsen	TO	12,000lbs.	X12	.81"	081	Metric	M	Vee	V	Partial	P	16	16	Straight	S
Baldwin/Satec	BS	20,000lbs.	X20	1"	100			Insert	I	None	N	20	20	Diamond	D
United Calibration	UC	60,000lbs.	X60	1.18"	118			Holder	H			25	25	Waffle	W
Forney	FO	120,000lbs.	120	1.25"	125							40	40		
		200,000lbs.	200	1.62"	162										
		300,000lbs.	300	1.75"	175										
		400,000lbs.	400	1.87"	187										
		600,000lbs.	600	1.93"	193										
		None	XXX	2"	200										
				2.20"	220										
				2.25"	225										
				2.38"	238										
				2.43"	243										
				2.50"	250										
				2.75"	275										
				3"	300										
				3.10"	310										
				3.5"	350										
				4"	400										
				4.50"	450										
				7"	700										

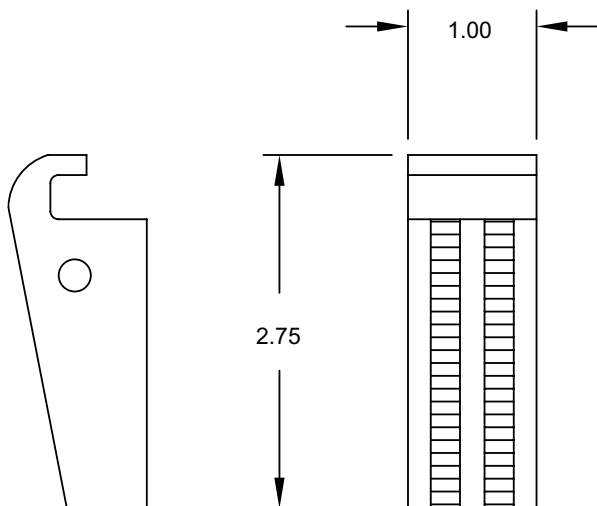
▶ INSTRON STYLE: FLAT JAWS FOR 1"



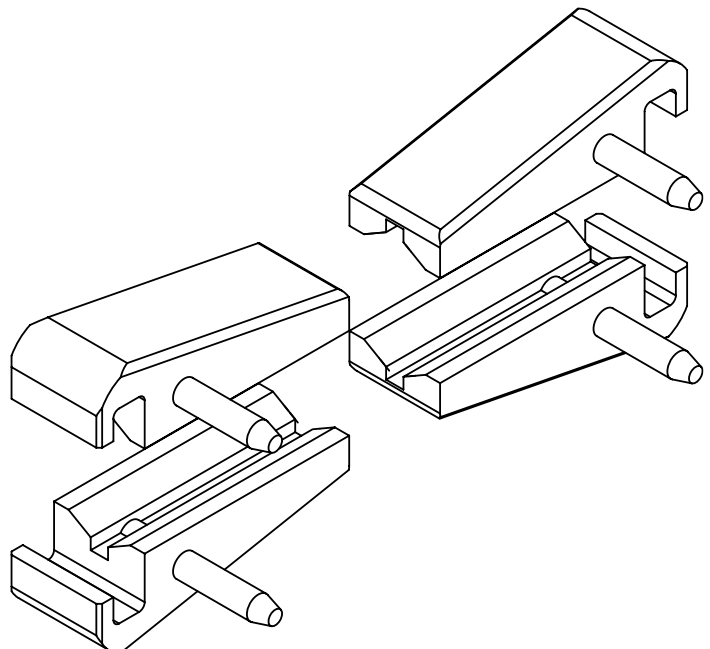
BASE NO.	DESCRIPTION	WIRE RANGE
INXXX100IFN1	1" FLAT JAW	0 - .250"
INXXX100IFN2	1" FLAT JAW	.250 - .500"



▶ INSTRON STYLE: VEE JAWS FOR 1"

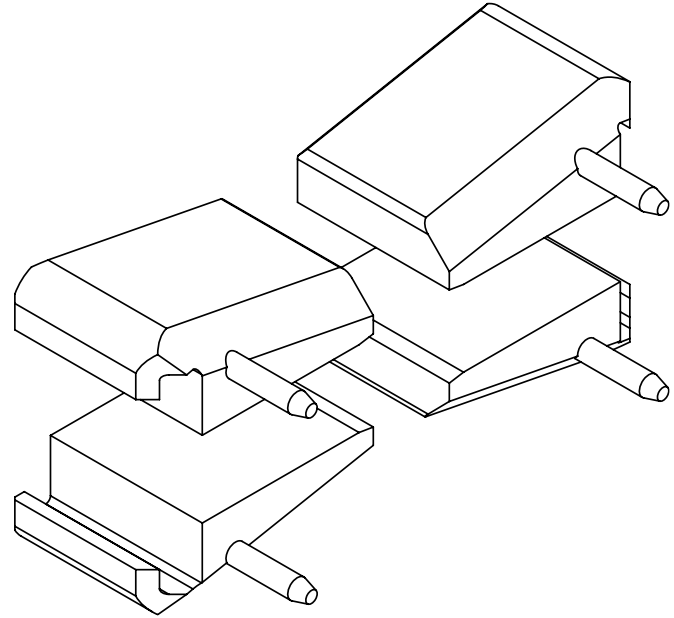
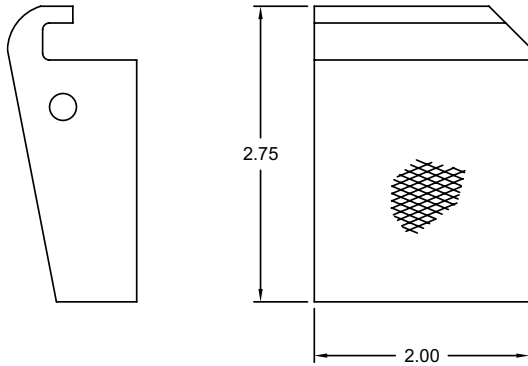


BASE NO.	DESCRIPTION	WIRE RANGE
INXXX100IVN1	1" VEE JAW	.12 - .31"
INXXX100IVN2	1" VEE JAW	.28" - .50"
INXXX100IVN3	1" VEE JAW	.50" - .75"



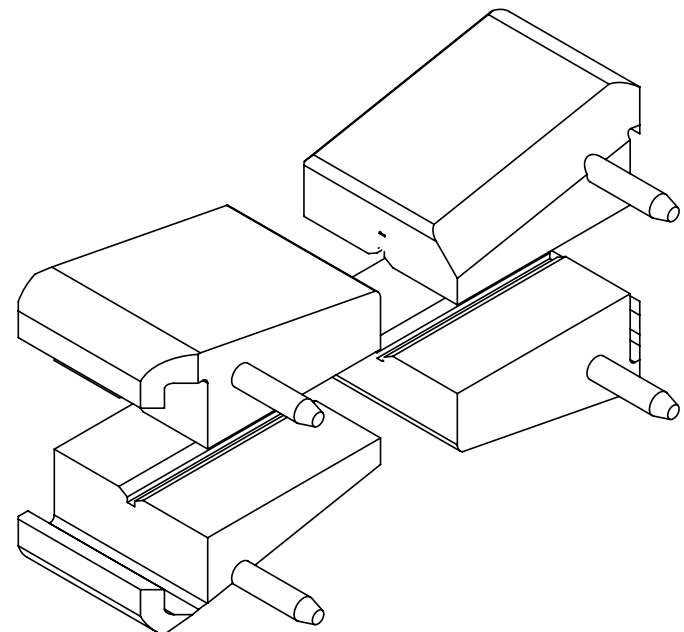
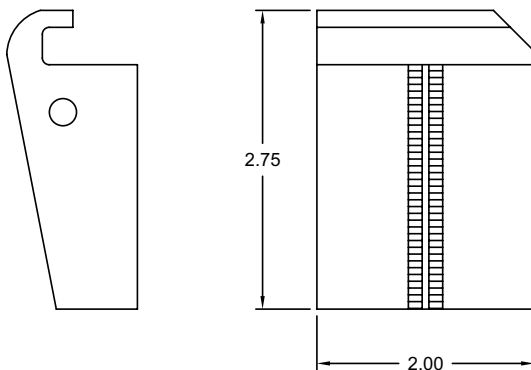
▶ INSTRON STYLE: FLAT JAWS FOR 2"

BASE NO.	DESCRIPTION	WIRE RANGE
INXXX200IFN1	2" FLAT JAW	0 - .250"
INXXX200IFN2	2" FLAT JAW	.250 - .500"



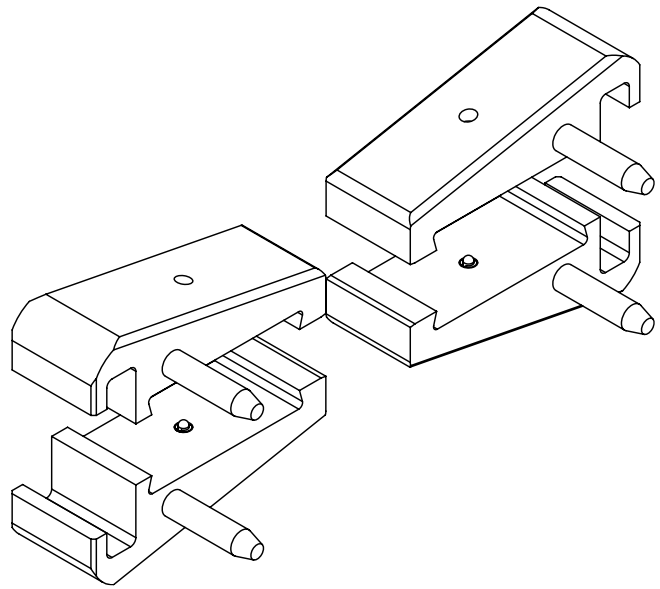
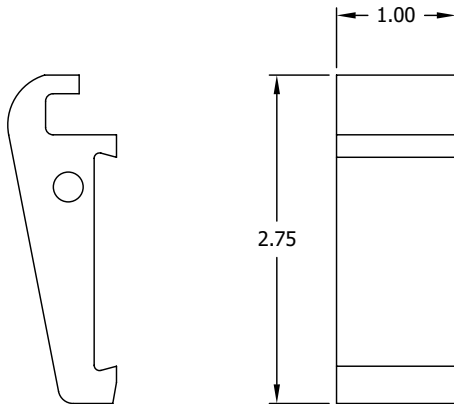
▶ INSTRON STYLE: VEE JAWS FOR 2"

BASE NO.	DESCRIPTION	WIRE RANGE
INXXX200IVN1	2" VEE JAW	.12 - .31"
INXXX200IVN2	2" VEE JAW	.28 - .50"
INXXX200IVN3	2" VEE JAW	.50 - .75"



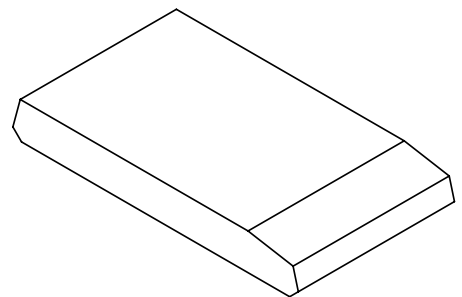
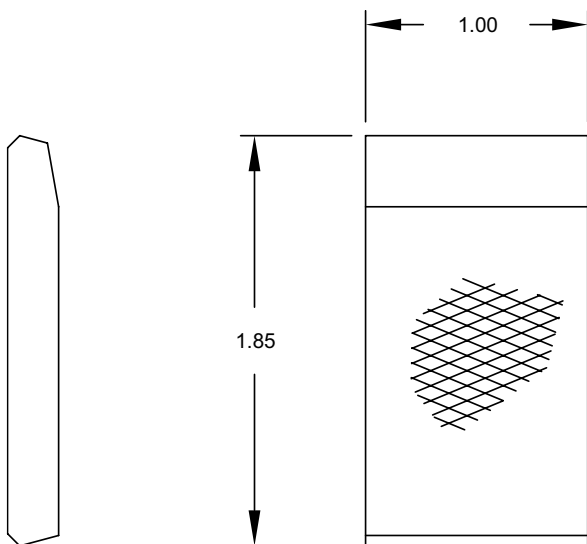
▶ INSTRON STYLE: INSERT HOLDER 1”

PART NO.	DESCRIPTION
INXXX100IHN1	INSERT HOLDER

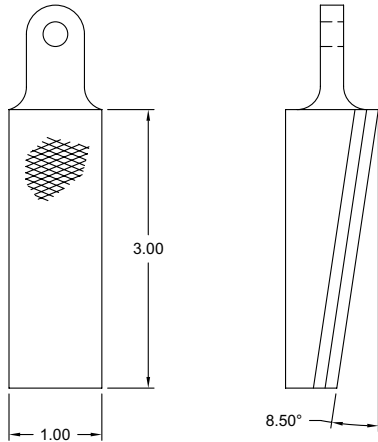


▶ INSTRON STYLE: INSERT 1”

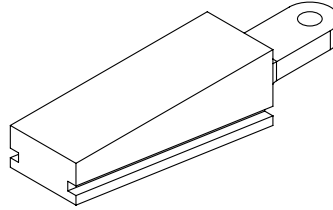
PART NO.	DESCRIPTION
INXXX100IIN1	INSERT



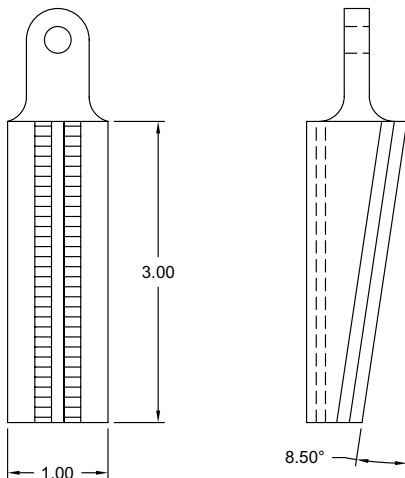
▶ TINIUS OLSEN STYLE: K-GRIPS 1" FLAT JAW FOR 5,000LB. MACHINE CAPACITY



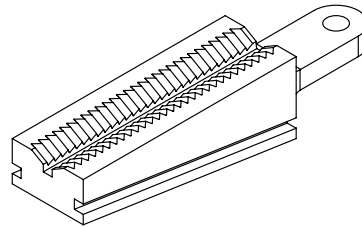
BASE NO.	DESCRIPTION
TOXX5100IFN1	1" FLAT JAW



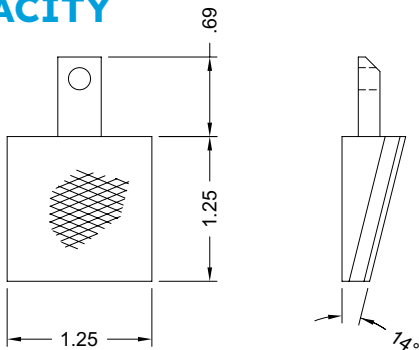
▶ TINIUS OLSEN STYLE: K-GRIPS 1" VEE JAW FOR 5,000LB. MACHINE CAPACITY



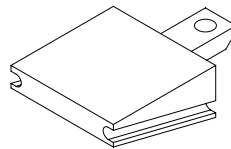
BASE NO.	DESCRIPTION	WIRE RANGE
TOXX5100IVN1	1" VEE JAW	.12 - .20
TOXX5100IVN2	1" VEE JAW	.20 - .40
TOXX5100IVN3	1" VEE JAW	.31 - .60



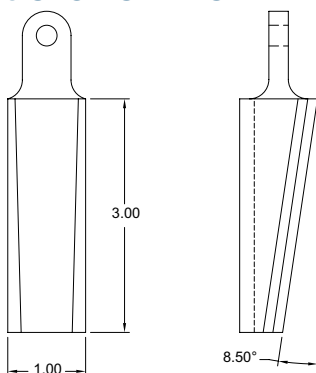
▶ TINIUS OLSEN STYLE: K-GRIPS 1.25" FLAT JAW FOR 5,000LB. MACHINE CAPACITY



BASE NO.	DESCRIPTION
TOXX5125IFN1	1-1/4" FLAT JAW

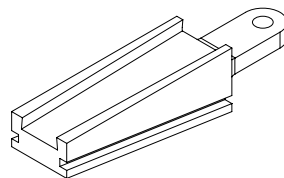


▶ TINIUS OLSEN STYLE: K-GRIPS 1" HOLDER FOR 5,000LB. MACHINE CAPACITY

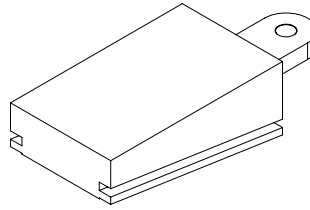
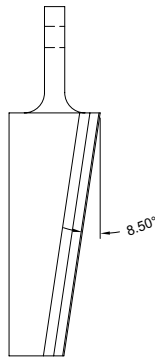
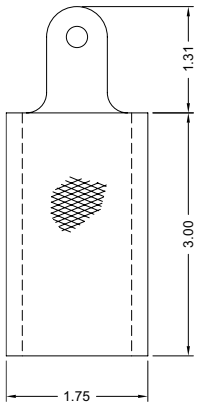


PART NO.	DESCRIPTION
TOXX5100IHN1	INSERT HOLDER

*SEE PAGE 16 FOR INSERT

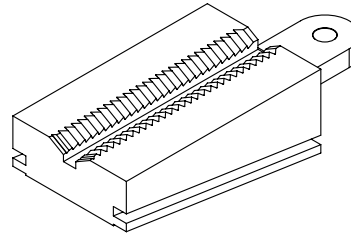
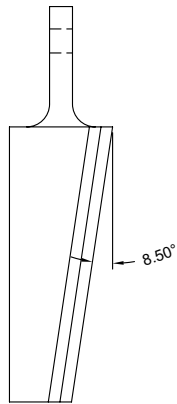
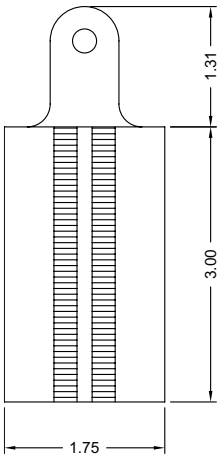


▶ TINIUS OLSEN STYLE: K-GRIPS 1.75" FLAT JAWS FOR 12,000LB. MACHINE CAPACITY



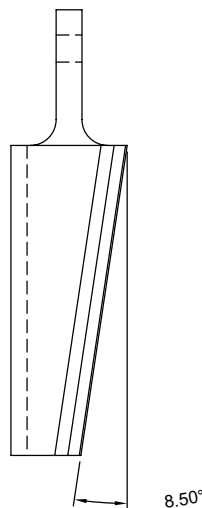
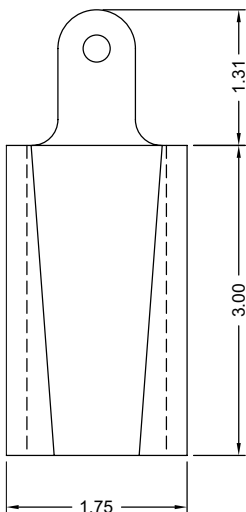
BASE NO.	DESCRIPTION
TOX12175IFN1	1-3/4 FLAT JAW

▶ TINIUS OLSEN STYLE: K-GRIPS 1.75" VEE JAWS FOR 12,000 LB. MACHINE CAPACITY



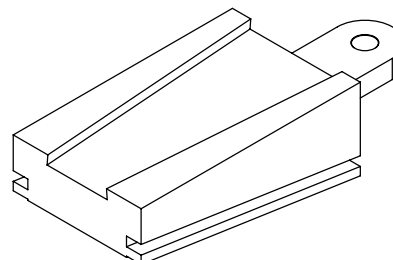
PART NO.	DESCRIPTION	WIRE RANGE
TOX12175IVN1	1-3/4 VEE JAW	.50 - 1.00"
TOX12175IVN2	1-3/4 VEE JAW	.25 - .50"

▶ TINIUS OLSEN STYLE: K-GRIPS 1.75" INSERT HOLDER FOR 12,000LB. MACHINE CAPACITY

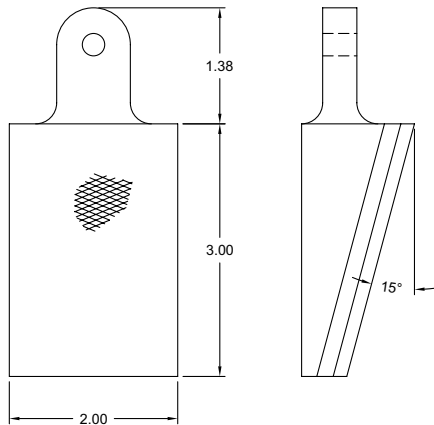


PART NO.	DESCRIPTION
TOX12175IHN1	INSERT HOLDER

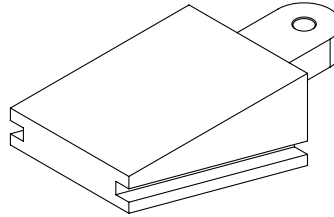
*SEE PAGE 16 FOR INSERT



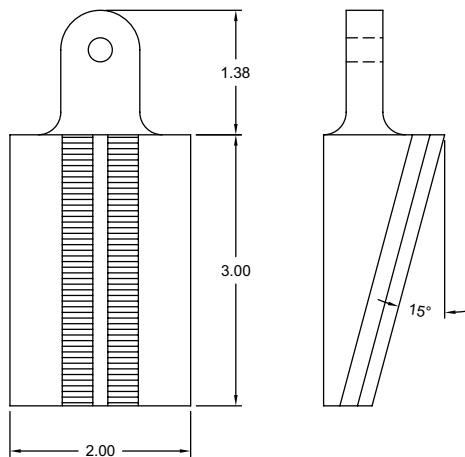
▶ TINIUS OLSEN STYLE: K-GRIPS 2" FLAT JAW FOR 20,000/30,000LB. MACHINE CAPACITY



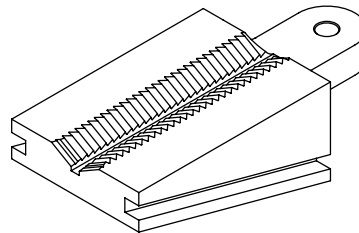
BASE NO.	DESCRIPTION
TOX20200IFN1	2" FLAT JAW
TOX30200IFN1	2" FLAT JAW



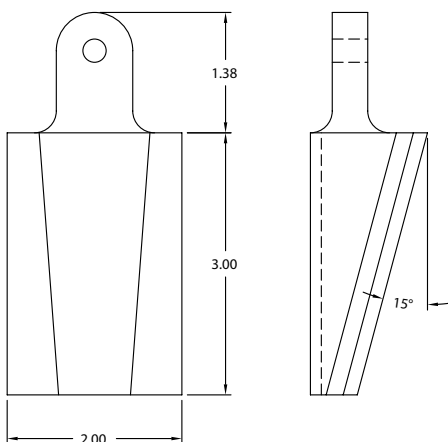
▶ TINIUS OLSEN STYLE: K-GRIPS 2" VEE JAW FOR 20,000/30,000LB. MACHINE CAPACITY



BASE NO.	DESCRIPTION	WIRE RANGE
TOX20200IVN1	2" VEE JAW	.38 - .63"
TOX30200IVN1	2" VEE JAW	.38 - .63"
TOX20200IVN2	2" VEE JAW	.50 - .75"
TOX30200IVN2	2" VEE JAW	.50 - .75"

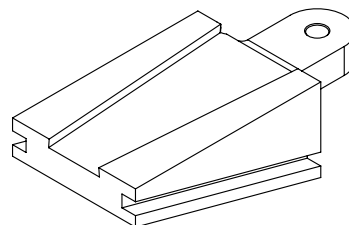


▶ TINIUS OLSEN STYLE: INSERT WEDGE GRIP HOLDER FOR 12,000/20,000/30,000LB. MACHINE CAPACITY

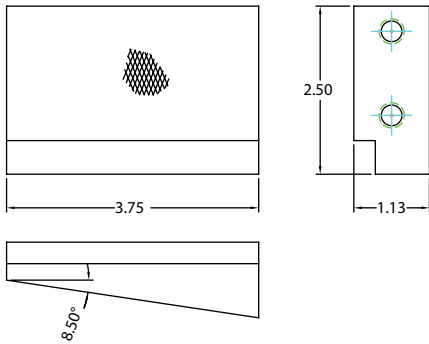


PART NO.	DESCRIPTION
TOX12200IHN1	INSERT HOLDER
TOX20200IHN1	INSERT HOLDER
TOX30200IHN1	INSERT HOLDER

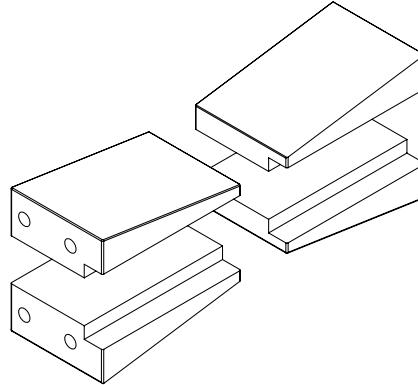
*SEE PAGE 16 FOR INSERT



▶ TINIUS OLSEN STYLE: 2.50" FLAT JAW FOR 60,000LB MACHINE CAPACITY

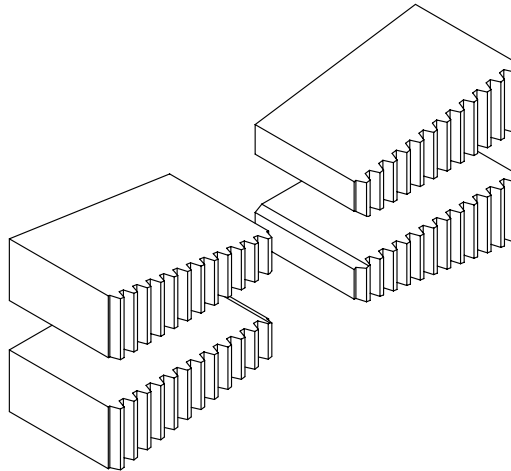
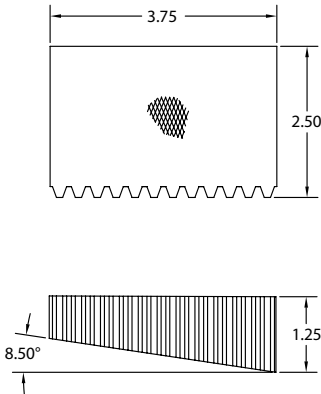


BASE NO.	DESCRIPTION
TOX60250IFN1	2-1/2" FLAT JAW



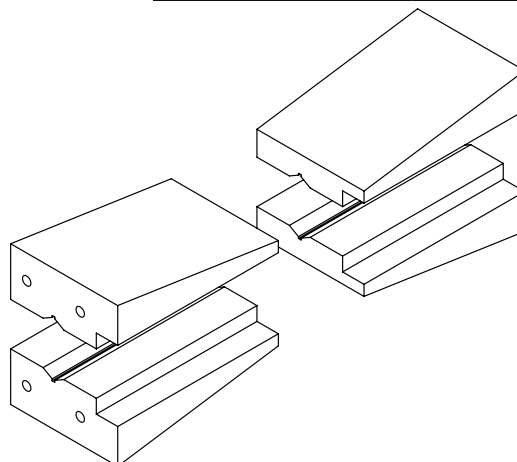
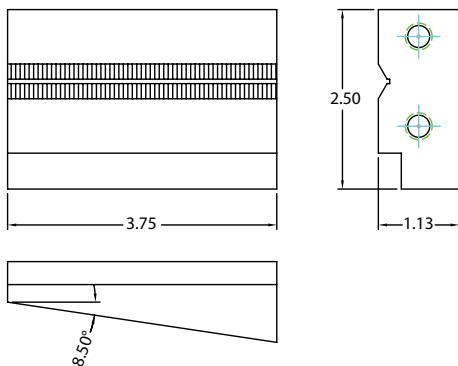
▶ TINIUS OLSEN STYLE: 2.50" FLAT JAW WITH FULL RACK FOR 60,000LB MACHINE CAPACITY

BASE NO.	DESCRIPTION
TOX60250IFF1	2-1/2" FLAT JAW



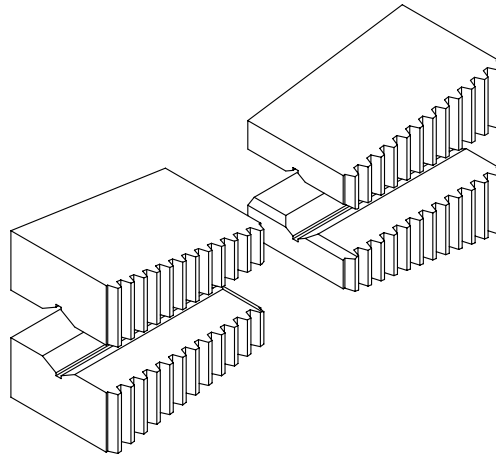
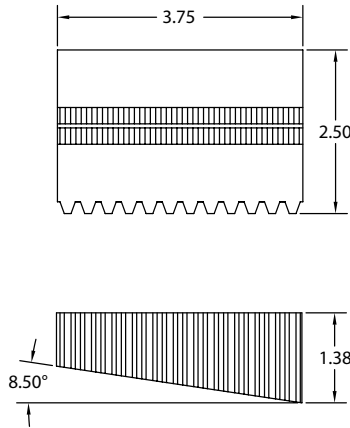
▶ TINIUS OLSEN STYLE: 2.50" VEE JAW FOR 60,000LB MACHINE CAPACITY

PART NO.	DESCRIPTION	WIRE RANGE
TOX60250IVN1	2-1/2" VEE JAW	.43 - .75"
TOX60250IVN2	2-1/2" VEE JAW	.50 - 1.0"



▶ TINIUS OLSEN STYLE: 2.50" VEE JAW WITH FULL RACK FOR 60,000LB. MACHINE CAPACITY

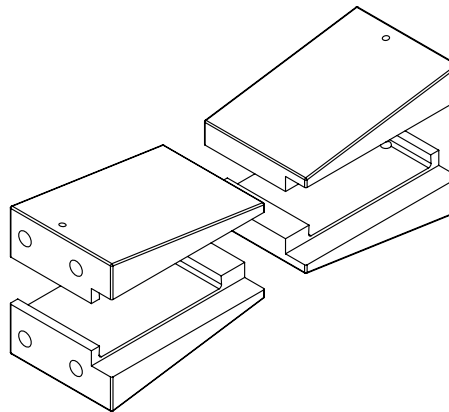
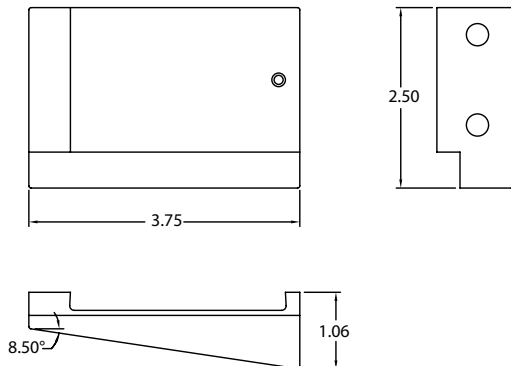
BASE NO.	DESCRIPTION	WIRE RANGE
TOX60250IVF1	2-1/2" VEE JAW	.43 - .75"
TOX60250IVF2	2-1/2" VEE JAW	.50 - 1.0"



▶ TINIUS OLSEN STYLE: INSERT HOLDER FOR 60,000LB. MACHINE CAPACITY

PART NO.	DESCRIPTION
TOX60250IHN1	INSERT HOLDER

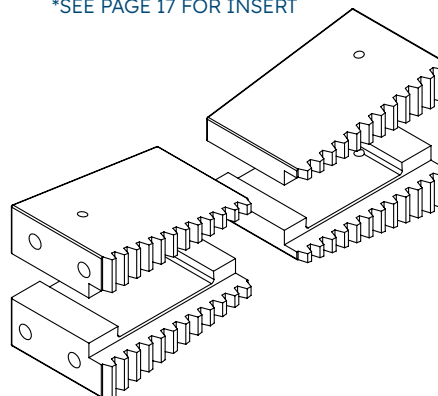
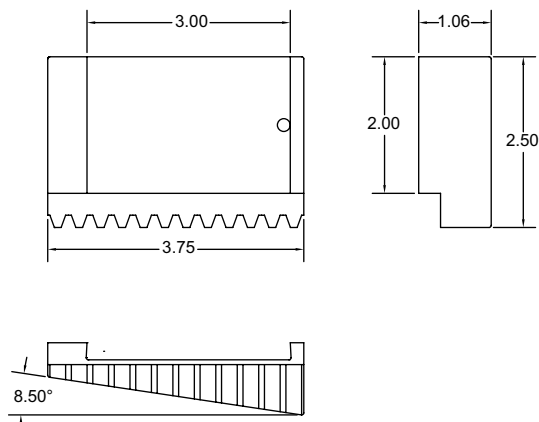
*SEE PAGE 17 FOR INSERT



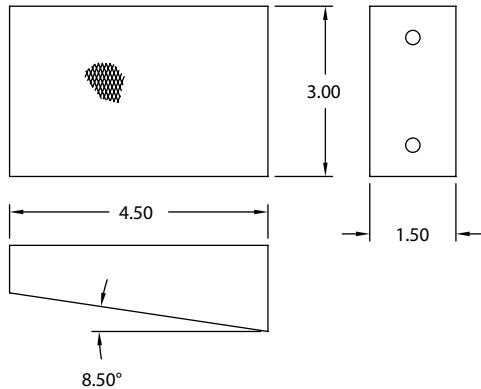
▶ TINIUS OLSEN STYLE: INSERT HOLDER WITH PARTIAL RACK FOR 60,000LB. MACHINE CAPACITY

PART NO.	DESCRIPTION
TOX60250IHP1	INSERT HOLDER

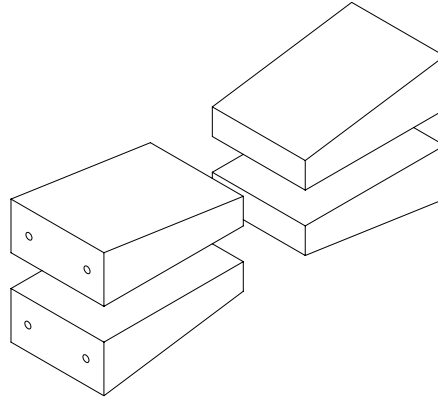
*SEE PAGE 17 FOR INSERT



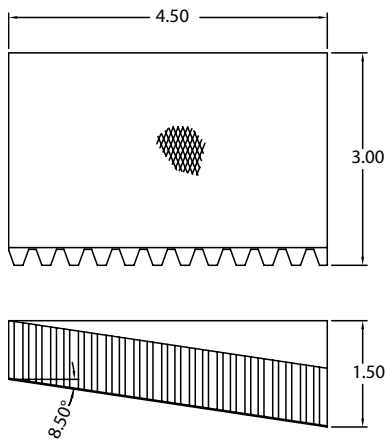
▶ TINIUS OLSEN STYLE: 3" FLAT JAW FOR 120,000LB. MACHINE CAPACITY



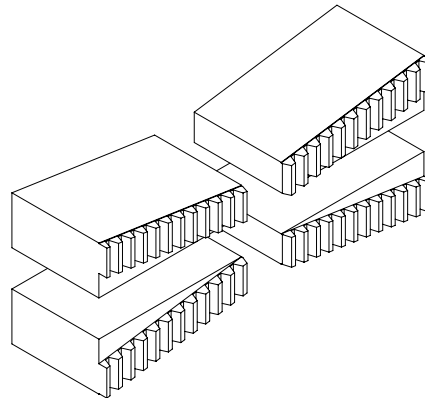
BASE NO.	DESCRIPTION
TO120300IFN1	3" FLAT JAW



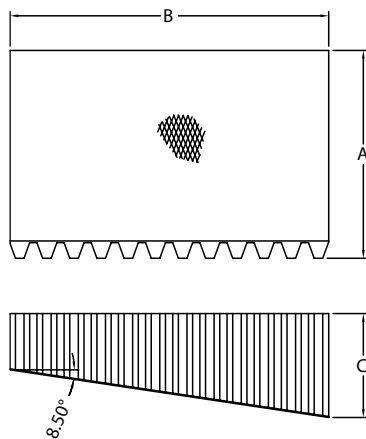
▶ TINIUS OLSEN STYLE: 3" FLAT JAW WITH PARTIAL RACK FOR 120,000LB. MACHINE CAPACITY



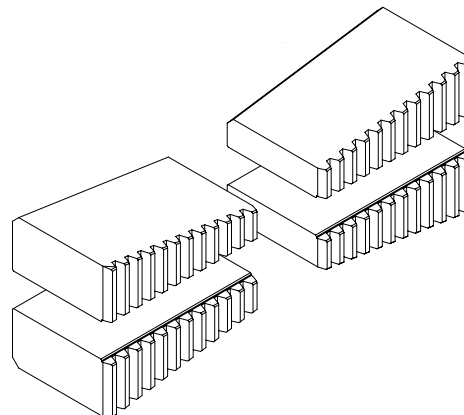
BASE NO.	DESCRIPTION
TO120300IFP1	3" FLAT JAW



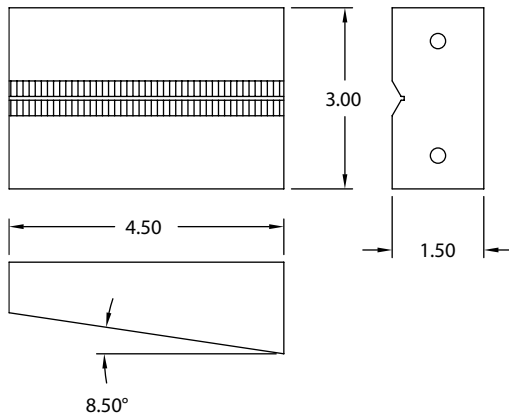
▶ TINIUS OLSEN STYLE: 3"-4.5" FLAT JAW WITH FULL RACK FOR 120,000 / 200,000 / 300,000 / 400,000 MACHINE CAPACITY



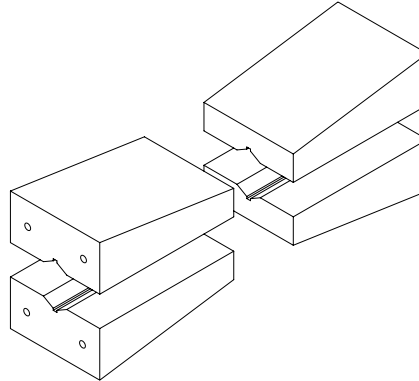
BASE NO.	DESCRIPTION	A	B	C
TO120300IFF1	3" FLAT JAW	3.00	4.60	1.50
TO200350IFF1	3.5" FLAT JAW	3.50	6.00	2.00
TO300400IFF1	4.0" FLAT JAW	4.00	6.75	2.25
TO400450IFF1	4.5" FLAT JAW	4.50	8.00	2.75



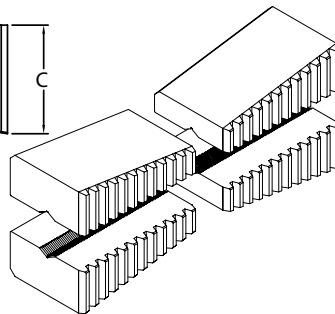
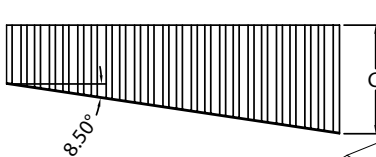
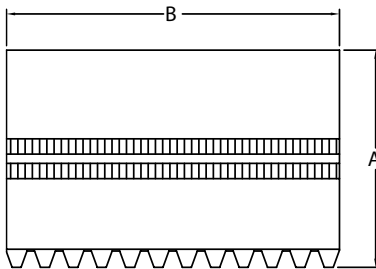
▶ TINIUS OLSEN STYLE: 3" VEE JAW FOR 120,000LB. MACHINE CAPACITY



BASE NO.	DESCRIPTION	WIRE RANGE
TO120300IVN1	3" VEE JAW	.38 - .75"
TO120300IVN2	3" VEE JAW	.75 - 1.1"

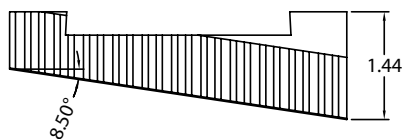
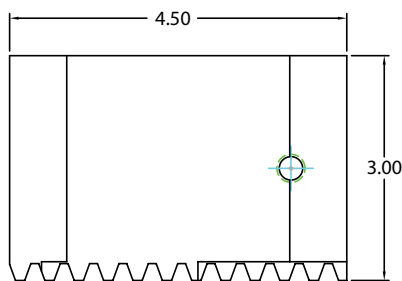


▶ TINIUS OLSEN STYLE: 3"-4.5" VEE JAW WITH FULL RACK FOR 120,000 / 200,000 / 300,000 / 400,000LB. MACHINE CAPACITY



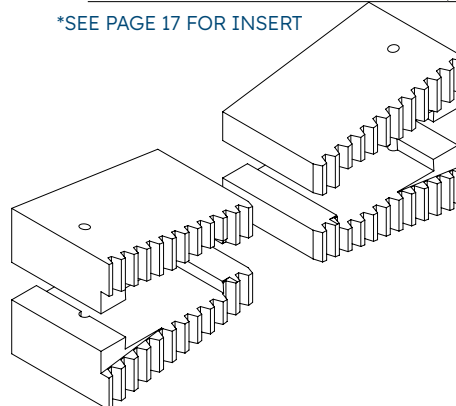
PART NO.	DESCRIPTION	A	B	C	WIRE RANGE
TO120300IVF1	3.0" VEE JAW	3.00	4.60	1.50	.25 - .50"
TO120300IVF2	3.0" VEE JAW	3.00	4.60	1.50	.50 - 1.0"
TO200350IVF1	3.5" VEE JAW	3.50	6.00	2.00	.50 - 1.0"
TO200350IVF2	3.5" VEE JAW	3.50	6.00	2.00	1.0 - 1.5"
TO200350IVF3	3.5" VEE JAW	3.50	6.00	2.00	1.5 - 2.0"
TO300400IVF1	4.0" VEE JAWS	4.00	6.75	2.25	.50 - 1.0"
TO300400IVF2	4.0" VEE JAWS	4.00	6.75	2.25	1.0 - 1.5"
TO300400IVF3	4.0" VEE JAWS	4.00	6.75	2.25	1.5 - 2.0"
TO400450IVF1	4.5" VEE JAWS	4.50	8.00	2.75	.50 - 1.0"
TO400450IVF2	4.5" VEE JAWS	4.50	8.00	2.75	1.0 - 1.5"
TO400450IVF3	4.5" VEE JAWS	4.50	8.00	2.75	1.9 - 2.6"

▶ TINIUS OLSEN STYLE: INSERT HOLDER FOR PARTIAL RACK AND 120,000LB. MACHINE CAPACITY

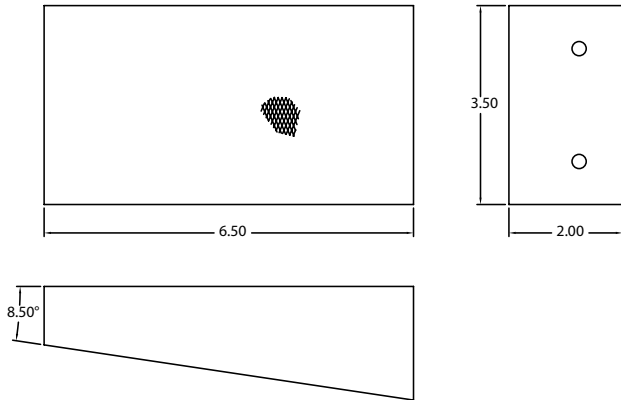


PART NO.	DESCRIPTION
TO120300IHP1	INSERT HOLDER

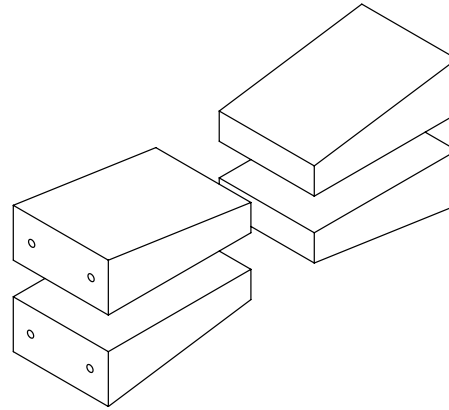
*SEE PAGE 17 FOR INSERT



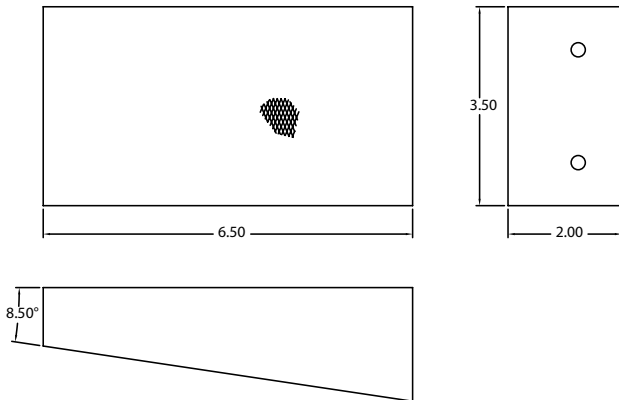
▶ TINIUS OLSEN STYLE: 3.5" FLAT JAW FOR 200,000LB. MACHINE CAPACITY



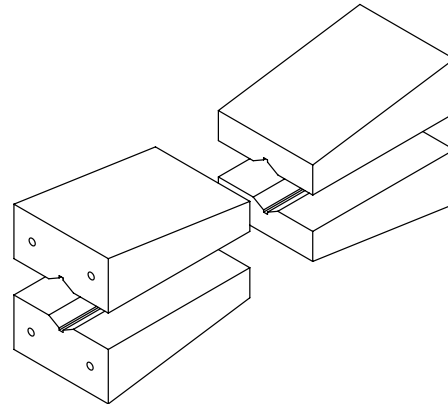
BASE NO.	DESCRIPTION
TO200350IFN1	3.5" FLAT JAW



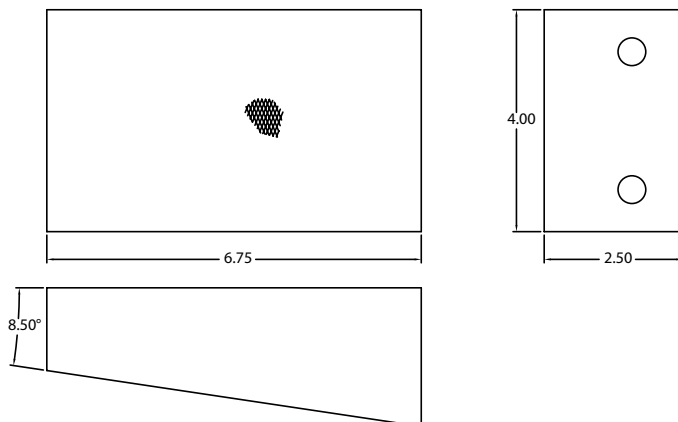
▶ TINIUS OLSEN STYLE: 3.5" VEE JAW FOR 200,000LB. MACHINE CAPACITY



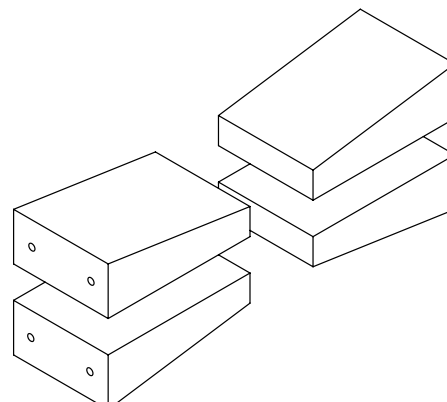
BASE NO.	DESCRIPTION	WIRE RANGE
TO200350IVN1	3.5" VEE JAW	.50 - 1.0"
TO200350IVN2	3.5" VEE JAW	1.0 - 1.5"
TO200350IVN3	3.5" VEE JAW	1.5 - 2.0"



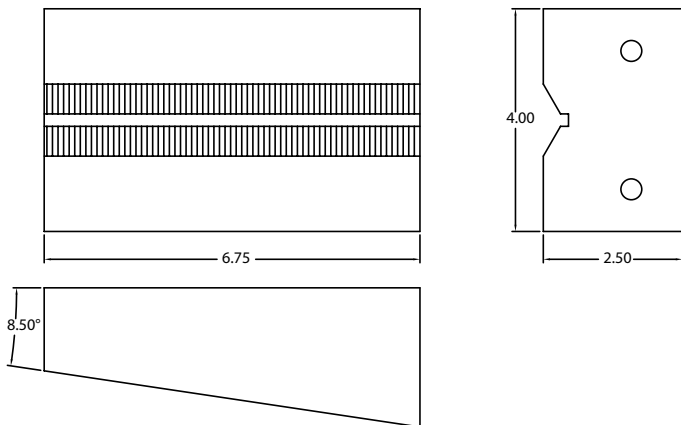
▶ TINIUS OLSEN STYLE: 4" FLAT JAW FOR 300,000LB. MACHINE CAPACITY



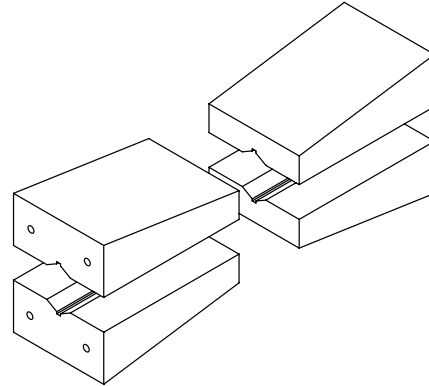
BASE NO.	DESCRIPTION
TO300400IFN1	4" FLAT JAW



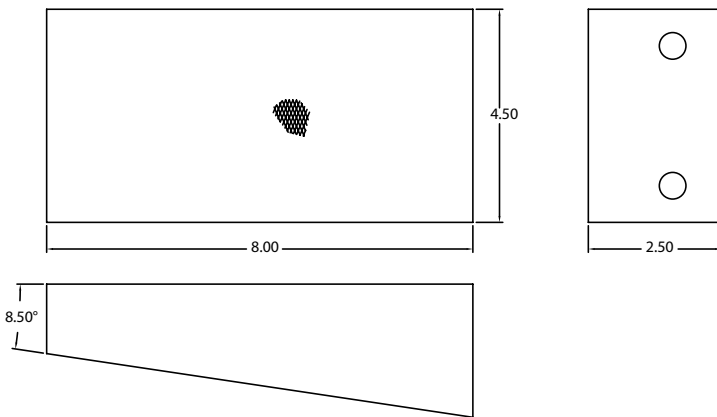
▶ TINIUS OLSEN STYLE: 4" VEE JAW FOR 300,000LB. MACHINE CAPACITY



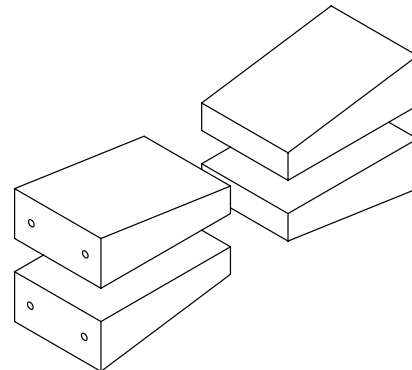
BASE NO.	DESCRIPTION	WIRE RANGE
TO300400IVN1	4" VEE JAW	.50 - 1.0"
TO300400IVN2	4" VEE JAW	1.0 - 1.5"
TO300400IVN3	4" VEE JAW	1.5 - 2.0"



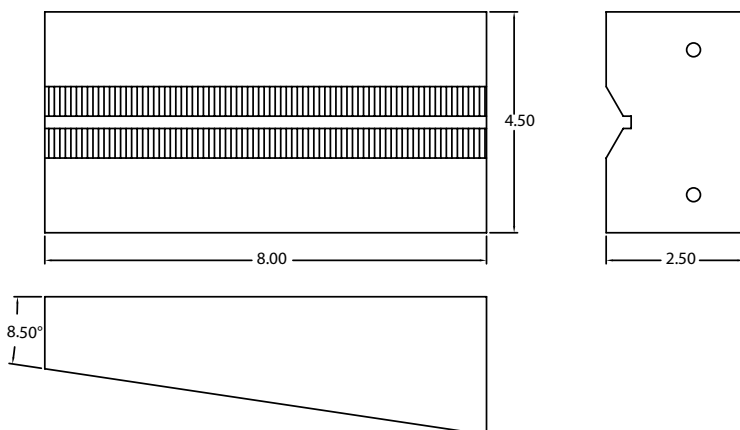
▶ TINIUS OLSEN STYLE: 4.5" FLAT JAW FOR 400,000LB. MACHINE CAPACITY



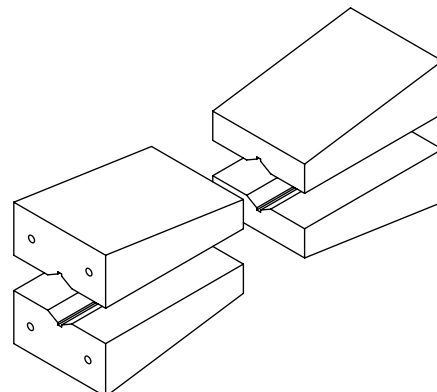
BASE NO.	DESCRIPTION
TO400450IFN	4.5" FLAT JAW



▶ TINIUS OLSEN STYLE: 4.5" VEE JAW FOR 400,000LB. MACHINE CAPACITY



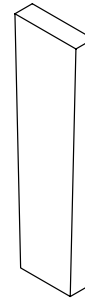
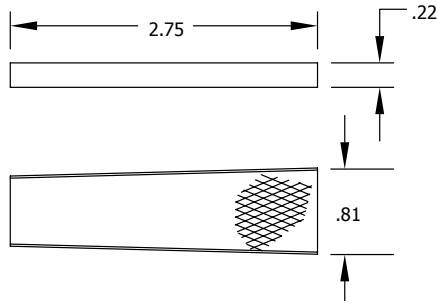
PART NO.	DESCRIPTION	WIRE RANGE
TO400450IVN1	4.5" VEE JAW	.50 - 1.0"
TO400450IVN2	4.5" VEE JAW	1.0 - 1.5"
TO400450IVN3	4.5" VEE JAW	1.9 - 2.6"



▶ TINIUS OLSEN STYLE: K-GRIPS INSERT FOR 5,000LB. MACHINE CAPACITY

BASE NO.	DESCRIPTION
TOXX5081IIN1	INSERT

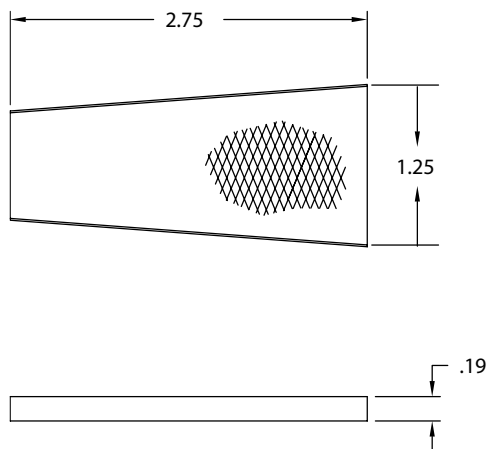
*SEE PAGE 7 FOR HOLDER



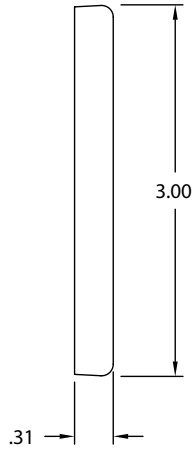
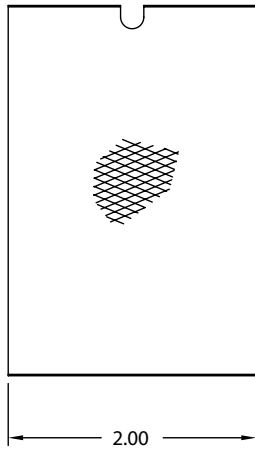
▶ TINIUS OLSEN STYLE: INSERT FOR 12,000/20,000/30,000LB. MACHINE CAPACITY

BASE NO.	DESCRIPTION
TOX12125IIN1	INSERT
TOX20125IIN1	INSERT
TOX30125IIN1	INSERT

*SEE PAGE 8-9 FOR HOLDER

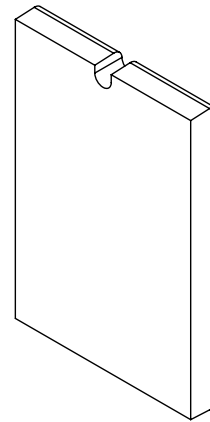


▶ TINIUS OLSEN STYLE: INSERT FOR 60,000LB. MACHINE CAPACITY

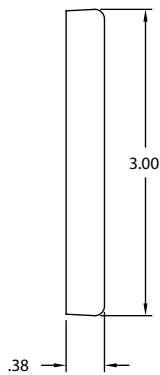
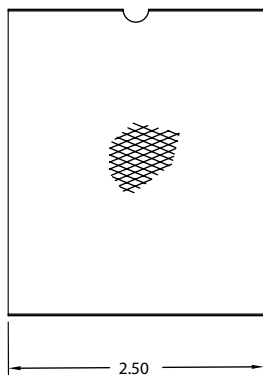


BASE NO.	DESCRIPTION
TOX60200IIN1	3" INSERT

*SEE PAGE 11 FOR HOLDER

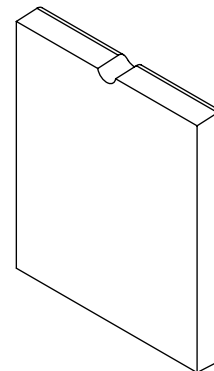


▶ TINIUS OLSEN STYLE: INSERT FOR 100,000/120,000/160,000LB. MACHINE CAPACITY

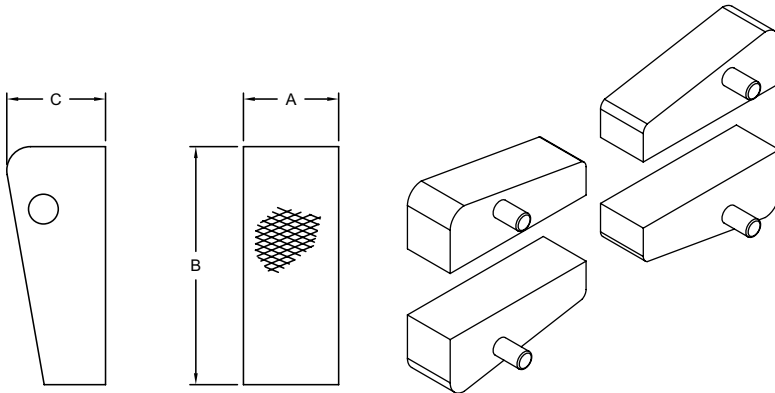


BASE NO.	DESCRIPTION
TOX100250IIN1	3" INSERT
TOX120250IIN1	3" INSERT
TOX160250IIN1	3" INSERT

*SEE PAGE 13 FOR HOLDER

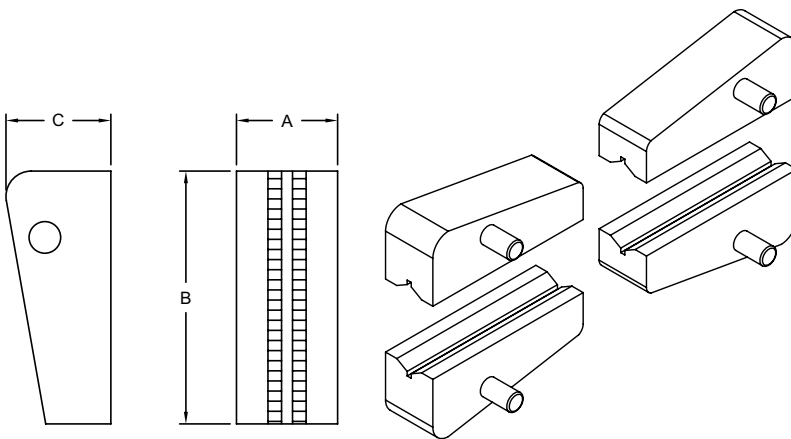


▶ BALDWIN/SATEC-STYLE: FLAT JAWS FOR ¾", 1" AND 2" MODELS



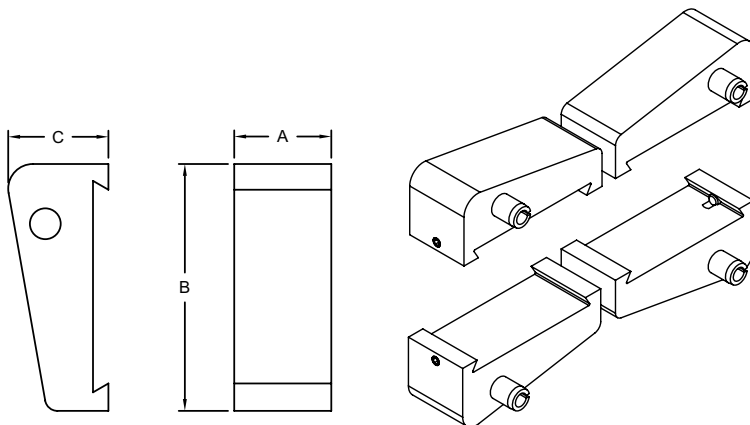
BASE NO.	DESCRIPTION	A	B	C
BSXXX075IFN1	¾" FLAT JAW	.75	2.38	.91
BSXXX075IFN2	¾" FLAT JAW	.75	2.50	1.09
BSXXX100IFN1	1" FLAT JAW	1.00	2.50	1.09
BSXXX100IFN2	1" FLAT JAW	1.00	2.50	1.47
BSXXX200IFN1	2" FLAT JAW	2.00	2.50	1.34

▶ BALDWIN/SATEC-STYLE: VEE JAWS FOR ¾", 1" AND 2" MODELS



BASENO.	DESCRIPTION	A	B	C
BSXXX075IVN1	¾" VEE JAW	.75	2.38	.95
BSXXX075IVN2	¾" VEE JAW	.75	2.50	1.09
BSXXX100IVN1	1" VEE JAW	1.00	2.50	1.09
BSXXX100IVN2	1" VEE JAW	1.00	2.50	1.47
BSXXX200IVN1	2" VEE JAW	2.00	2.50	1.34

▶ BALDWIN/SATEC-STYLE: INSERT HOLDERS FOR ¾", 1" AND 2" MODELS

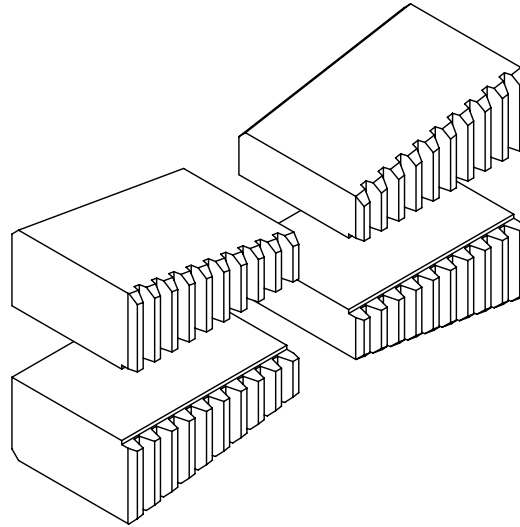
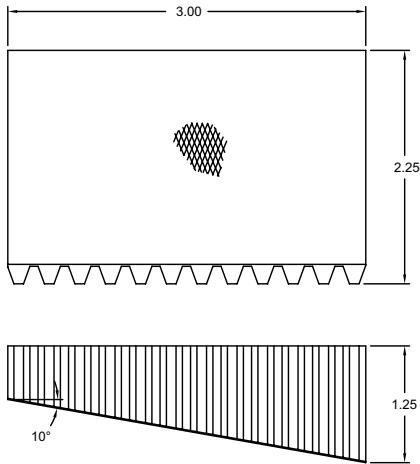


PART NO.	DESCRIPTION	A	B	C
**BSXXX075IHN1	¾" INSERT HOLDER	.75	2.38	.95
**BSXXX075IHN2	¾" INSERT HOLDER	.75	2.75	1.08
**BSXXX100IHN1	1" INSERT HOLDER	1.00	2.50	1.01
**BSXXX100IHN2	1" INSERT HOLDER	1.00	2.50	1.51
**BSXXX200IHN1	2" INSERT HOLDER	2.00	2.50	1.50

*SEE PAGE 23 FOR INSERT
**SAMPLE REQUIRED

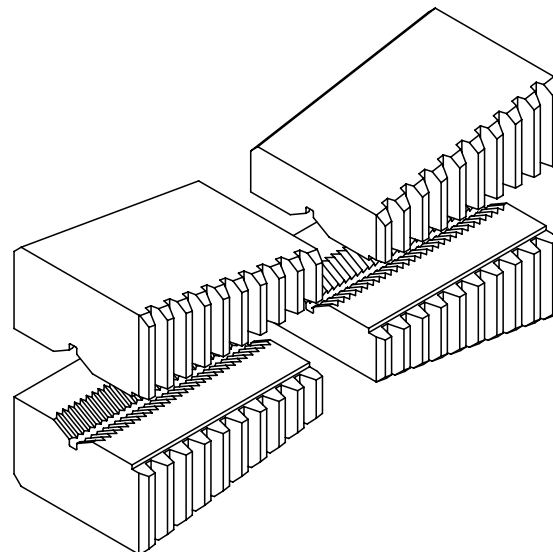
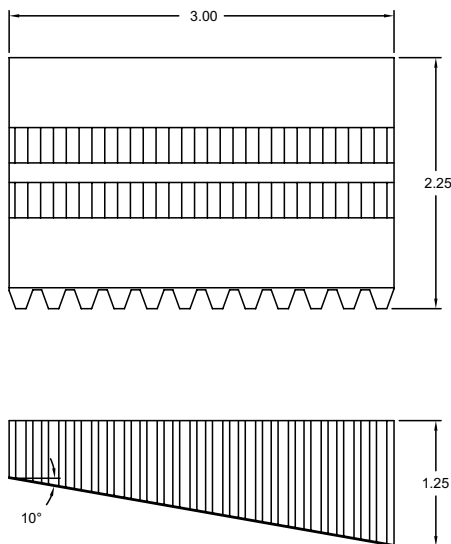
▶ BALDWIN/SATEC-STYLE: FLAT JAWS FOR 2 ¼” WITH FULL RACK

BASE NO.	DESCRIPTION
BSXXX225IFF1	2-¼ FLAT JAWS



▶ BALDWIN/SATEC-STYLE: VEE JAWS FOR 2 ¼” WITH FULL RACK

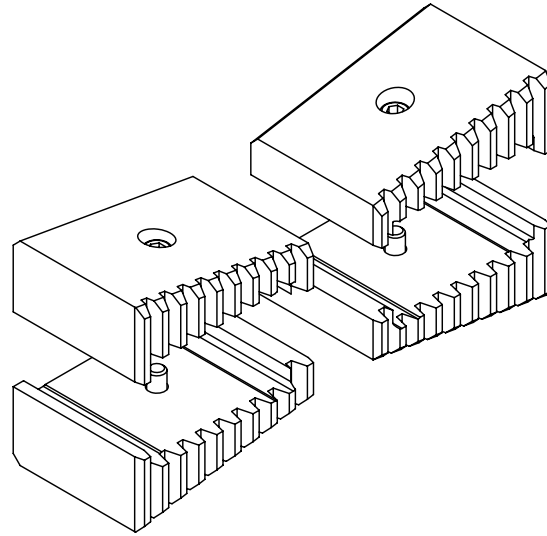
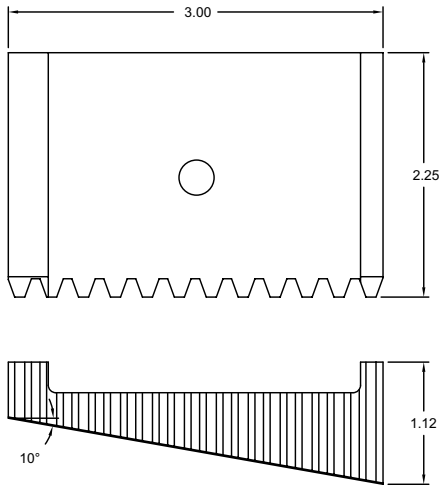
BASE NO.	DESCRIPTION	WIRE RANGE
BSXXX225IVF1	2-¼ VEE JAWS	.50 - .75"
BSXXX225IVF2	2-¼ VEE JAWS	.75 - 1.1"



▶ BALDWIN/SATEC-STYLE: INSERT HOLDER FOR 2 ¼" WITH FULL RACK

PART NO.	DESCRIPTION
BSXXX225IHF1	INSERT HOLDER

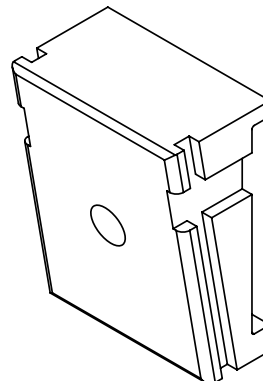
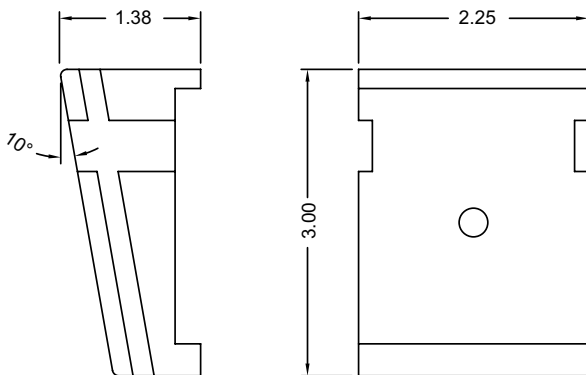
*SEE PAGE 23 FOR INSERT



▶ BALDWIN/SATEC-STYLE: INSERT HOLDER FOR 2 ¼"

PART NO.	DESCRIPTION
BSXXX225IHN1	HOLDER, FLAT JAWS 2-1/4"

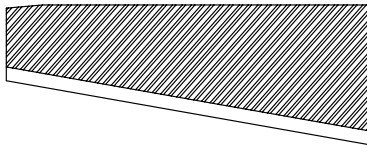
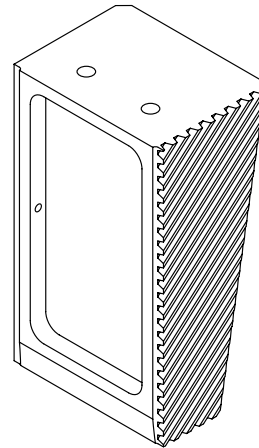
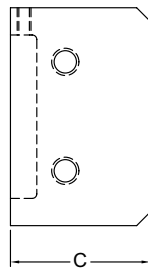
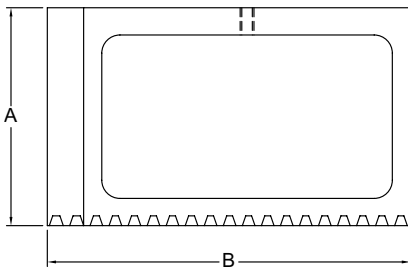
*SEE PAGE 23 FOR INSERT



▶ BALDWIN/SATEC-STYLE: INSERT HOLDER WITH FULL RACK FOR 20,000 – 600,000 MODELS

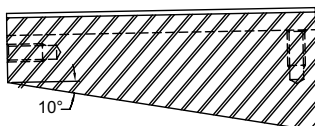
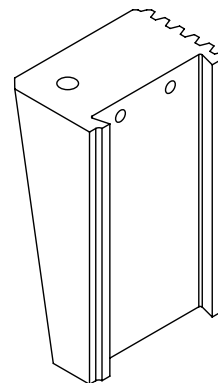
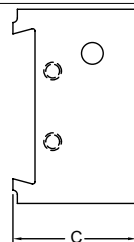
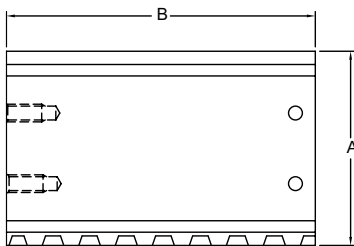
BASE NO.	LOAD LBS.	A	B	C
BSX20162IHF1	20,000	1-5/8"	2-1/2"	1"
BSX60238IHF1	60,000	2-3/8"	3-3/4"	1-3/8"
BSX60275IHF1	60,000	2-3/4"	4-3/8"	1-7/16"
BS120300IHF1	120,000	3"	5"	1-15/16"
BS200350IHF1	200,000	3-1/2"	6"	2-7/16"
BS300400IHF1	300,000	4"	6-3/4"	2-7/8"
BS400450IHF1	400,000	4-1/2"	7-3/4"	3-1/4"
BS600700IHF1	600,000	7"	10"	3-3/4"

*SEE PAGE 23 FOR INSERT



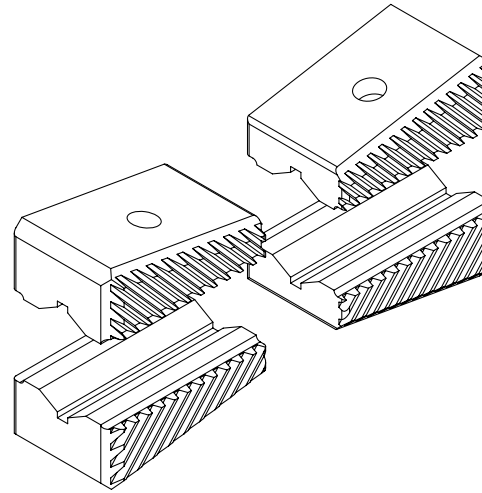
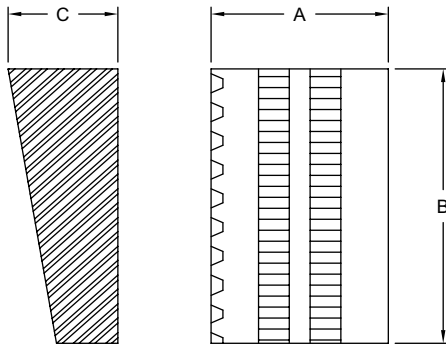
▶ BALDWIN/SATEC-STYLE: INSERT HOLDER FOR 2 3/4"–4 1/2" FULL RACK FOR 60,000–400,000 MODELS

BASE NO.	MODEL/ LBS.	DESCRIPTION	A	B	C
BSX60275IHF1	60,000	2-3/4" INSERT HOLDER	2.75	4.38	1.75
BS120300IHF1	120,000	3" INSERT HOLDER	3.00	5.0	2.06
BS200350IHF1	200,000	3-1/2" INSERT HOLDER	3.50	6.0	2.62
*SEE PAGE 23 FOR INSERT BS300400IHF1	300,000	4" INSERT HOLDER	4.00	6.75	2.88
BS400450IHF1	400,000	4-1/2" INSERT HOLDER	4.50	7.75	3.38



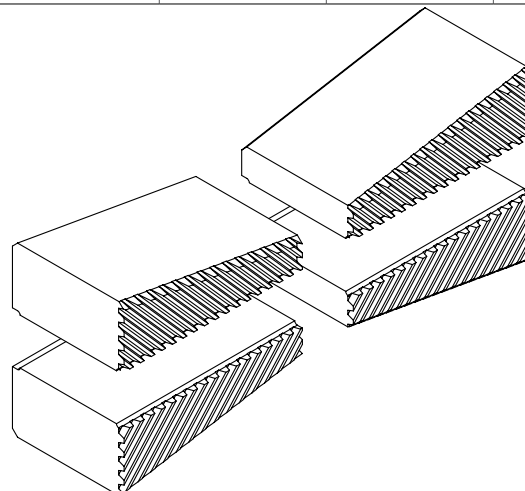
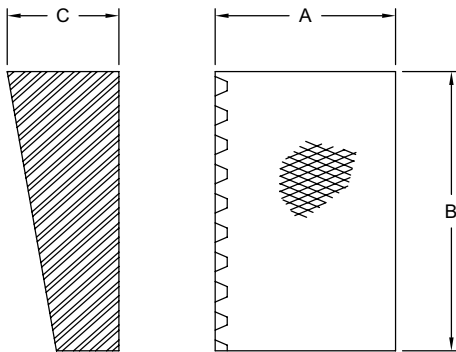
▶ BALDWIN/SATEC-STYLE: VEE JAW FOR 1 5/8"–4 1/2" FULL RACK FOR 20,000-400,000 MODELS

BASE NO.	MODEL/LBS.	DESCRIPTION	A	B	C
BSX20162IVF1	20-35/20,000	1-5/8" VEE JAW	1.62	2.5	1.00
BSX60238IVF1	60-35/60,000	2-3/8" VEE JAW	2.38	3.75	1.25
BSX60275IVF1	60,000	2-3/4" VEE JAW	2.75	4.38	1.50
BS120300IVF1	120,000	3" VEE JAW	3.00	5.0	2.06
BS200350IVF1	200,000	3-1/2" VEE JAW	3.50	6.0	2.62
BS300400IVF1	300,000	4" VEE JAW	4.00	6.75	2.88
BS400450IVF1	400,000	4-1/2" VEE JAW	4.50	3.50	

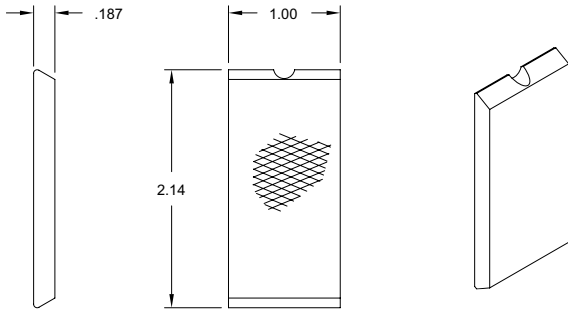


▶ BALDWIN/SATEC-STYLE: FLAT JAW FOR 1 5/8"–4 1/2" FULL RACK FOR 20,000-400,000 MODELS

BASE NO.	MODEL/LBS.	DESCRIPTION	A	B	C
BSX20162IFF1	20-35/20,000	1-5/8" FLAT JAW	1.62	2.50	1.00
BSX60238IFF1	60-35/60,000	2-3/8" FLAT JAW	2.38	3.75	1.25
BSX60275IFF1	60,000	2-3/4" FLAT JAW	2.75	4.38	1.50
BS120300IFF1	120,000	3" FLAT JAW	3.00	5.0	2.06
BS200350IFF1	200,000	3-1/2" FLAT JAW	3.50	6.0	2.62
BS300400IFF1	300,000	4" FLAT JAW	4.00	6.75	2.88
BS400450IFF1	400,000	4-1/2" FLAT JAW	4.50	7.75	3.38



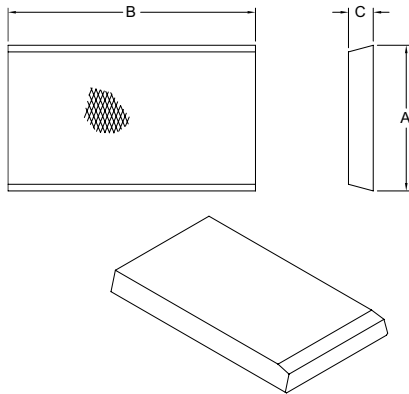
▶ BALDWIN/SATEC-STYLE: FLAT INSERTS FOR 1"



BASE NO.	DESCRIPTION
GRXXX100IIN1	TEMPLIN INSERT

*SEE PAGE 18 FOR HOLDER

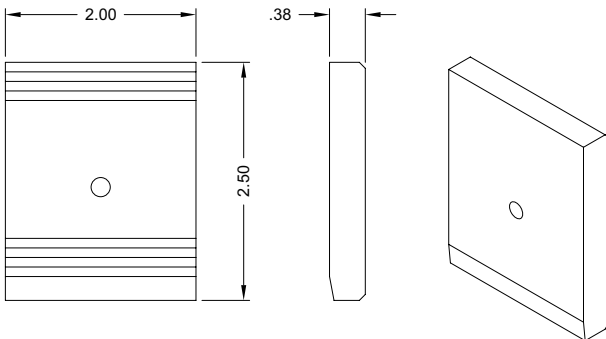
▶ BALDWIN/SATEC-STYLE: FLAT INSERTS FOR 2.2", 2.5" AND 3.1" FOR 60,000-400,000 MODELS



BASE NO.	LOAD LBS.	DESCRIPTION	A	B	C
BSX60220IIN1	60,000	2.2 FLAT INSERT	2.2	3.75	.38
BS120250IIN1	120,000	2.5 FLAT INSERT	2.5	4.38	.44
*	200,000	* FLAT INSERT	*	5.38	.50
BS300300IIN1	300,000	3.1 FLAT INSERT	3.1	6.12	.62
BS400310IIN1	400,000	3.1 FLAT INSERT	3.1	6.12	.62

*SEE PAGE 19 FOR HOLDER
*SAMPLE REQUIRED

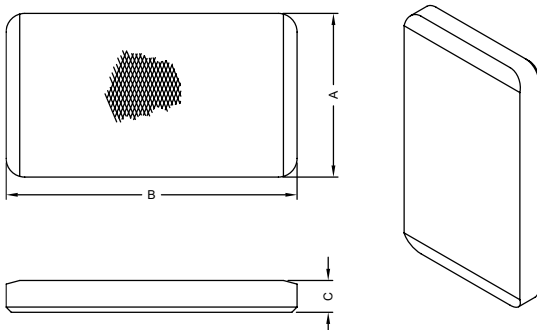
▶ BALDWIN/SATEC-STYLE: FLAT INSERT FOR 2"



BASE NO.	DESCRIPTION
BSXXX200IIN1	2" FLAT INSERT

*SEE PAGE 20 FOR HOLDER

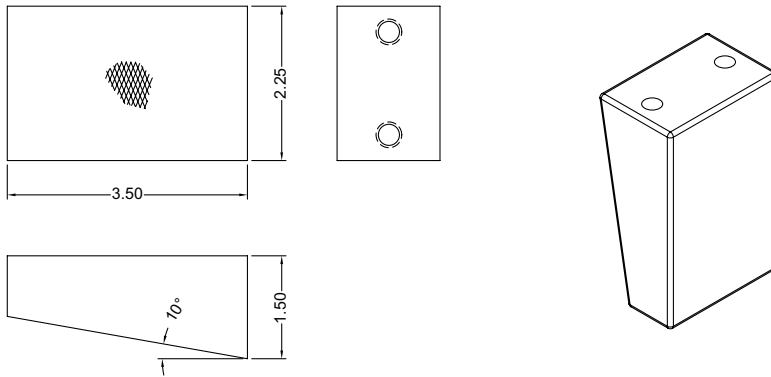
▶ BALDWIN/SATEC-STYLE: FLAT INSERT FOR 1 3/16" - 3" FOR 20,000LB. - 300,000LB. MODELS



BASE NO.	MODEL/LBS.	A	B	C
BSX20118IIN1	20,000	1- ³ / ₁₆	2- ¹ / ₁₆	¹ / ₄
BSX60187IIN1	60,000	1- ⁷ / ₈	3- ³ / ₁₆	³ / ₈
BSX60193IIN1	60,000	1- ¹⁵ / ₁₆	3- ¹ / ₂	¹¹ / ₃₂
BS120225IIN1	120,000	2- ¹ / ₄	4	⁷ / ₁₆
BS200243IIN1	200,000	2- ⁷ / ₁₆	4- ⁷ / ₈	⁷ / ₁₆
BS300300IIN1	300,000	3	5- ³ / ₈	⁵ / ₈

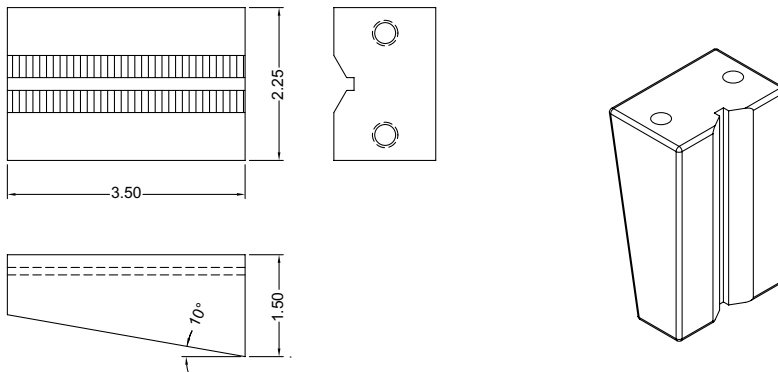
*SEE PAGE 21 FOR HOLDER

▶ FORNEY STYLE: FLAT JAW FOR 2 ¼” MODELS



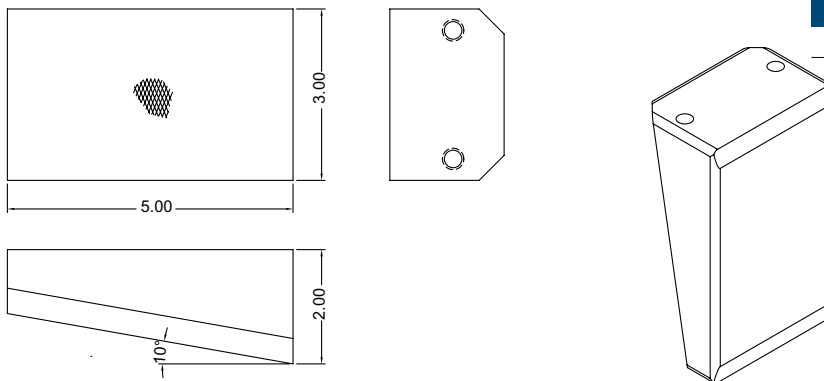
BASE NO.	DESCRIPTION
FOXXX225IFN1	2-1/4 FLAT JAW

▶ FORNEY STYLE: VEE JAW FOR 2 ¼” MODELS



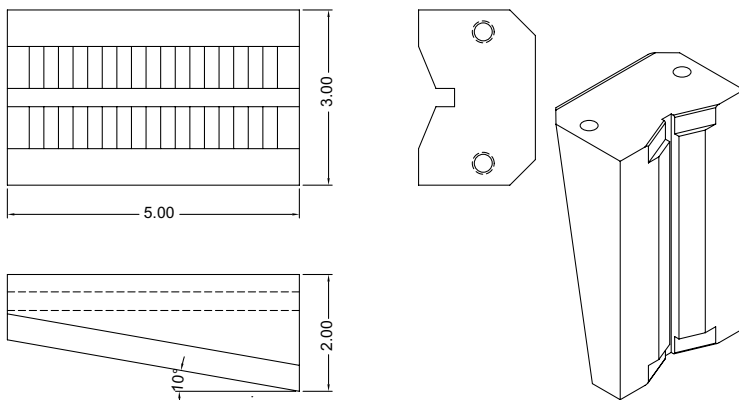
BASE NO.	DESCRIPTION	WIRE RANGE
FOXXX225IVN1	2-1/4 VEE JAW	.13 - .31"

▶ FORNEY STYLE: FLAT JAW FOR 3” MODELS



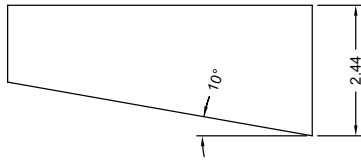
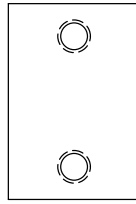
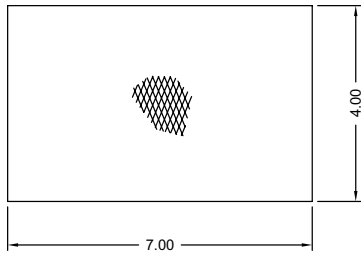
BASE NO.	DESCRIPTION
FOXXX300IFN1	3" FLAT JAW

▶ FORNEY STYLE: VEE JAW FOR 3” MODELS

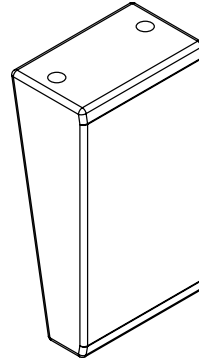


PART NO.	DESCRIPTION	WIRE RANGE
FOXXX300IVN1	3" VEE JAW	.25 - .75"
FOXXX300IVN2	3" VEE JAW	.75 - 1.13"
FOXXX300IVN3	3" VEE JAW	1.0 - 1.5"

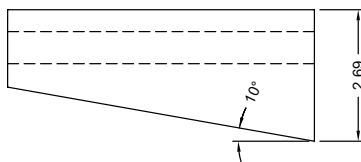
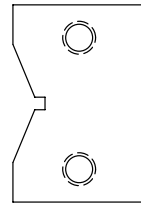
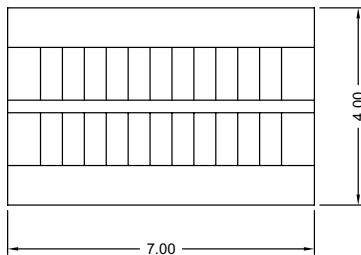
▶ FORNEY STYLE: FLAT JAW FOR 4" MODELS



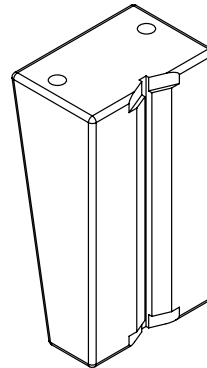
BASE NO.	DESCRIPTION
FOXXX400IFN1	4" FLAT JAW



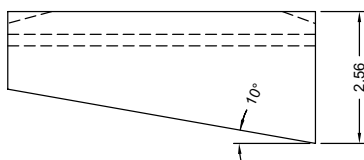
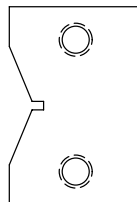
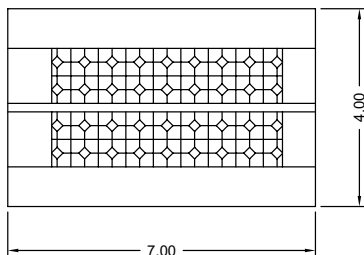
▶ FORNEY STYLE: VEE JAW FOR 4" MODEL



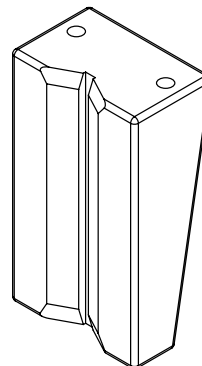
BASE NO.	DESCRIPTION	WIRE RANGE
FOXXX400IVN1	4" VEE JAW	.25 - .75"
FOXXX400IVN2	4" VEE JAW	.75 - 1.13"
FOXXX400IVN3	4" VEE JAW	1.0 - 1.5"



▶ FORNEY STYLE: VEE JAW FOR 4" WAFFLE PATTERN MODEL

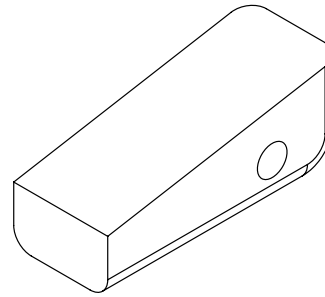
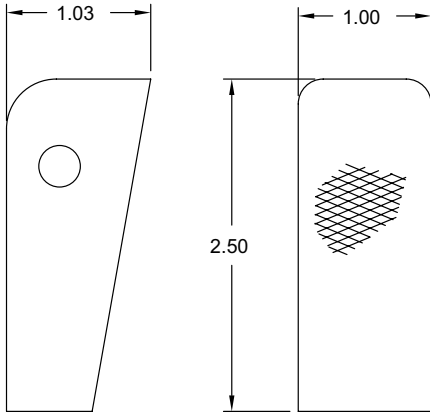


BASE NO.	DESCRIPTION	WIRE RANGE
FOXXX400IVW1	4" VEE JAW	#11 - #18 REBAR



▶ UNITED CALIBRATION STYLE: FLAT JAWS FOR 1" MODELS

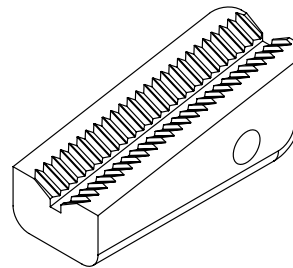
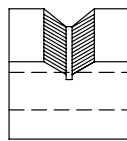
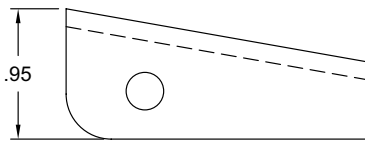
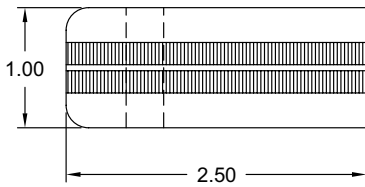
BASE NO.	DESCRIPTION
UCXXX100IFN1	1" FLAT JAW



▶ UNITED CALIBRATION STYLE: VEE JAWS FOR 1" MODELS

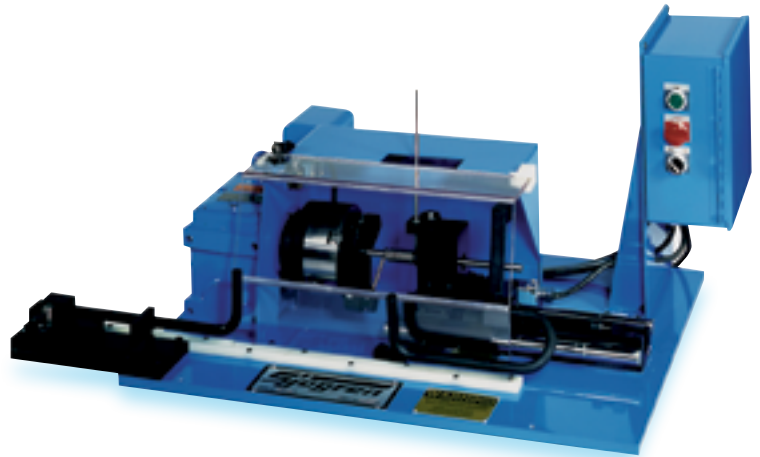
BASE NO.	DESCRIPTION	WIRE RANGE
*UCXXX100IVN1	1" VEE JAW	*

*SAMPLE REQUIRED



► WRAP TESTER

Need to test your spring wire for ductility? How about that metallic coating? Want to see if it's going to stick? This is just the machine you need. This benchtop unit can coil your wire like a spring so you can check for cracks and fractures. Size range from .050" to .375". It has a constant speed, adjustable chuck, wire guide assembly mounted to a sliding carriage, interlocked guards and an electrical control panel. It is also supplied with a wire bender.



► TORSION TWIST TESTER

This machine is ideal for testing your wire for brittleness, inclusions, hidden seams or other flaws. There are two different models for diameters of .010" up to .375". It features a fully programmable counter with automatic forward and/or reverse capability. It has 12 possible twisting programs with memory of the complete cycle. It includes a digital display, positive holding chucks with replaceable jaws, and an interlocked guard. The constant tension is provided by use of weights (5, 10, & 20 lbs) or by an optional pneumatic cylinder. An automatic broken wire switch will stop all machine function and all pertinent data will be maintained. Includes an AC variable speed drive. Max. speed depends on model.



At Sjogren Industries, we pride ourselves on being a trusted partner for businesses worldwide. Here's why working with us is the right choice for your operation:

Expertise You Can Rely On

With decades of experience, we specialize in material handling and straightening equipment. Our deep industry knowledge ensures we deliver solutions tailored to your unique challenges.

Uncompromising Quality

Our products are built to last. We are committed to delivering durable, reliable, and innovative equipment that minimizes downtime and maximizes efficiency.

Custom Solutions for Your Needs

Every operation is different, and we understand that. That's why we work closely with you to develop customized solutions that align perfectly with your goals.

A Reputation You Can Trust

Our long-standing reputation for reliability and excellence is a testament to the trust businesses place in us. When you partner with Sjogren, you're choosing a company with proven results.

Superior Technical Support

We stand by our products with exceptional service and support. From installation to maintenance and troubleshooting, our team is here to ensure your operation runs smoothly.

Global Reach with Local Care

Serving clients around the world, we deliver consistent quality on a global scale while maintaining the personalized service you deserve.

Driven by Innovation

We are constantly enhancing our technologies to stay ahead of industry demands. When you work with us, you gain a forward-thinking partner committed to your success.

Shortest Lead Time

Not only will your products be on-time, but because of our capabilities and automations, you can expect the shortest lead times in the industry.

Warranty Guarantee

We stand behind the quality of our products with comprehensive warranties available by request, giving you peace of mind and assurance in your investment.

At Sjogren Industries, we don't just provide equipment—we provide solutions. Let us help you achieve your operational goals with our trusted expertise and superior service.

As a global supplier of wire straightening tools and quality assurance testing tools and equipment that is focused on delivering durable, customized solutions on time and with the shortest lead time in the industry... we need the right people, and the right mindset to bring our best to the table. Learn more about the core values of the Sjogren Industries team, and what it brings to your table.



▶ EMPOWERMENT

"We provide for an environment where individuals are given autonomy, authority and resources to make decisions and take ownership of their work." This involves trusting and supporting employees to develop their skills, contribute meaningfully, and take initiative in achieving or succeeding organizational goals."



◀ QUALITY

"We are committed to excellence and the continuous pursuit of superior standards in products, services and processes."



▶ TEAM

"Together, Everyone Achieves More! Suppliers and customers included. We maintain an environment and live a culture that consistently delivers more than the sum of the individual entities' potential."



◀ COMMUNICATE

"We value open and transparent communication as the foundation for collaboration, understanding, and success."



▶ EMPLOYEE FIRST

"We respect the well-being, growth, and satisfaction of employees within the organization. We foster and develop a friendly, supportive, and inclusive work environment based on fairness, recognition, accountability, and trust."



◀ EMBRACE CHANGE

"We are committed to adaptivity, flexibility, and openness to new ideas, technologies and methods."



▶ CUSTOMER IN THE ROOM

"We embody prioritizing the needs, satisfaction, and overall experience of customers by ensuring we understand their requirements and by delivering high-quality products and services on time."



◀ ACCOUNTABLE

"We take responsibility for our actions, decisions, and outcomes. We hold each other accountable to ensure we are able to consistently deliver results, with integrity and excellence."



▶ HONESTY

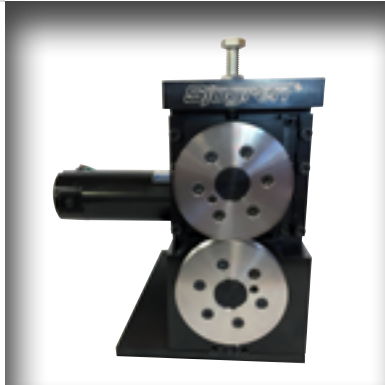
"Honesty is our foundation for trust, integrity, credibility, and dependability."



**STRAIGHTENER
ROLLS**



**WIRE
STRAIGHTENERS**



**WIRE
TOOLING
EQUIPMENT**



www.sjogren.com
**MADE IN
USA**

Sjogren[®]
Industries

**MANUFACTURER
of
PRECISION WIRE TOOLING
for
FERROUS & NON-FERROUS WIRE**