

®

Sjoberg

Industries

MANUFACTURER of PRECISION WIRE TOOLING
for FERROUS & NON-FERROUS WIRE

STRAIGHTENER
ROLLS



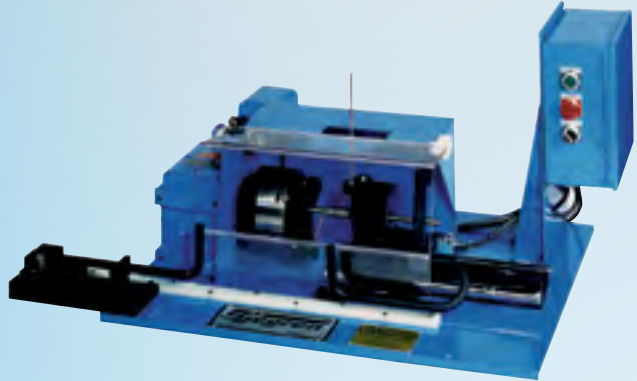
WIRE TOOLING
EQUIPMENT



WIRE
STRAIGHTENERS



QUALITY
TESTING MACHINES



INTRODUCTION



▶ Over 90 Years of Experience

Sjogren Industries has achieved a solid reputation in the industry by delivering to our customers the highest quality products, designed and built by an outstanding engineering team. Our founder, Oscar Sjogren, left Sweden in the 1890s to be a tool and die maker in a wire mill. 26 years later he

formed what would become Sjogren Industries. After more than 90 years, the family tradition of providing the highest quality machinery, tooling and auxiliary equipment to the wire industry still continues today.

▶ Committed to the Satisfaction of our Customers

Sjogren Industries enjoys an excellent reputation for the development and sales of a wide product range of straightening tools and accessories for the wire industry. The fact that we have been manufacturing for a long time while consistently

using the highest quality materials and equipment has contributed to our reputation. At Sjogren we are committed to the satisfaction of our customers worldwide. Whether our customers require standard or custom made products,

▶ Sjogren makes a difference

- 90 years of experience with development, manufacturing and sales
- The broadest range of wire tooling components from one source
- Highest quality requirements and tightest manufacturing tolerances
- Flexible development for custom applications

- Individual consultation and worldwide service from our competent team
- Fast spare part delivery with on-site inventory
- No-risk warranty is guaranteed

▶ Solutions Driven from the Start

Sjogren Industries Application Data Sheets provides a means of serving our customers better, while ensuring the delivery of an appropriate solution to any technical problem on the process line in the quickest and easiest method while avoiding confusion. Our Application Data Sheets are available on our website sjogren.com for easy electronic transfer of information. By completing the documents, Sjogren engineers can immediately begin working on a resolution to your problem that is specific to your need and in line

with your technical process.

In addition, Sjogren continuously invests in its manufacturing processes through state of the art equipment, which adds value to Sjogren's precision engineering and manufacturing mitigating communication barriers and enabling technical problems to be solved more quickly, and speed decision-making. Customers are encouraged to have live interaction with Sjogren's top engineers so that nothing is lost in the translation.

Providing wire tooling equipment since 1927

982 Southbridge St. • Worcester, MA 01610 USA

Tel 508-987-3206 • Fax 508-987-1965 • www.sjogren.com

▶ **2 GROOVED ROLLS**

▶ **6 WIRE STRAIGHTENERS**

- 6. **PB** Pivot Bar Series
- 8. **EC** European Community Series
- 9. **IS** Inch Series
- 10. Wire Straighteners Orientation
- 12. **LD** Light Duty Series
- 14. **HD** Heavy Duty Series
- 15. **CA** Completely Adjustable Series
- 16. **TR** Tilt Rail Series
- 17. **TR – M** Tilt Rail for Music Wire
- 18. **CL** Control Line Series
- 19. **NL** Narrow Line Series
- 20. **DB** Dead Block Straighteners

▶ **22 WIRE PULLER GRIPS**

- 22. **PULLER** FAQs
- 24. **SD** Series
- 26. **SH** Series
- 32. **V** Series
- 40. **M** Series

▶ **44 ROLLER GUIDES**

- 44. **SDR** Static Dancer Roll Series
- 46. **AR** Adjustable Roller Series
- 47. **RB** Roller Boxes Series

▶ **46 MACHINERY & EQUIPMENT**

- 48. **DS** Die Stringer & Die Room Puller
- 49. **HP** Hand Pointer
- 50. **WT** Wrap Tester
- 51. **TTT** Torsion Twist Tester

▶ **52 HYSTERESIS BRAKES**

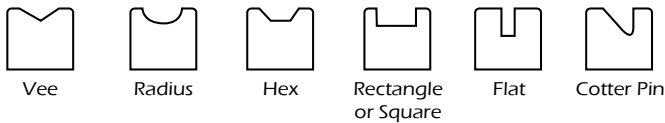
▶ **54 TENSILE TESTING INSERTS**

GROOVED ROLLS

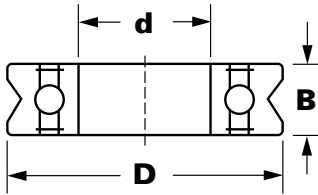


- Highest Groove Accuracy in Industry
- Standard Concentricity .0005" (0,0127 mm). This tolerance minimizes the hairpin wire effect.
- Angle: +/- 30 min.
- Centerline parallel to edge w/in .0005"
- Rolls can be polished and stoned.

▶ OPTIONAL ROLL GROOVE DESIGNS

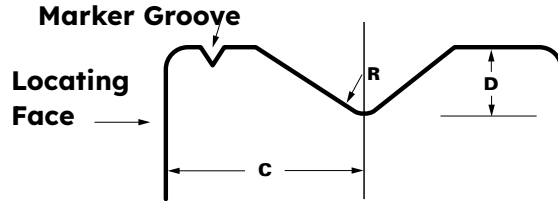


▶ TECHNICAL SPECIFICATIONS



▶ IS-ROLL

PART NO.	MODEL	WIRE DIAMETER	D	d	B
108535-04	GR-S10-A	.0015"-.010" 0,038 mm-0,25 mm	.1875" 4,76 mm	.0937" 2,38 mm	.0937" 2,38 mm
108002-01	SR144SS	.003"-.012" 0,076 mm-0,25 mm	.250" 6,35 mm	.125" 3,17 mm	.1094" 2,79 mm
108069-01	R2ZZ	.003"-.015" 0,076 mm-0,38 mm	.375" 9,52 mm	.125" 3,17 mm	.1562" 3,97 mm
108070-01	R3ZZ	.015"-.032" 0,38 mm-0,81 mm	.500" 12,7 mm	.1875" 4,76 mm	.196" 4,99 mm
108072-00	R4AZZ	.030"-.062" 0,76 mm-1,57 mm	.750" 19,05 mm	.250" 6,35 mm	.2812" 7,14 mm
108087-01	5201ZZ	.062"-.125" 1,57 mm-3,17 mm	1.259" 32,00 mm	.472" 12,0 mm	.625" 15,87 mm
108093-01	5303ZZ	.125"-.250" 3,17 mm-6,35 mm	1.850" 47,00 mm	.669" 16,99 mm	.875" 22,23 mm
118653-01	Tool Steel Sleeve	.250"-.375" 6,35 mm-9,525 mm	2.43" 61,98 mm	.669" 16,99 mm	1.05" 26,77 mm
119415-01	Tool Steel Sleeve	.375"-.500" 9,525 mm-12,7 mm	3.25" 82,55 mm	.787" 19,99 mm	1.12" 28,57 mm



C = Groove location relative to marker groove face
.0005" (0,0127 mm)

R = +/- .001" (0,025 mm)

D = +/- .001" (0,025 mm)

▶ METRIC-ROLL

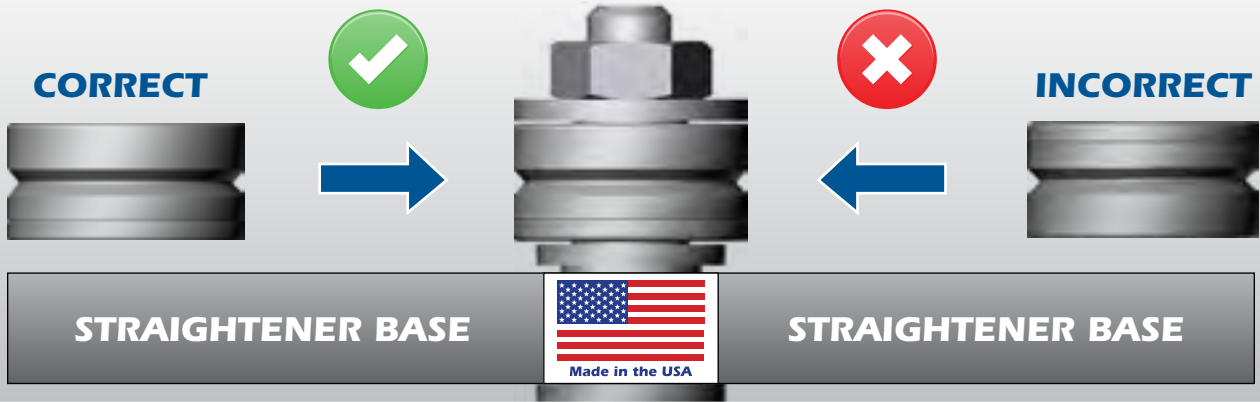
PART NO.	MODEL	WIRE DIAMETER	D	d	B
108066-01	GR07	0"-.008" 0-0,2 mm	.276" 7 mm	.118" 3 mm	.118" 3 mm
108066-03	683h-ZZ	.004"-.008" 0,1-0,2 mm	.276" 7 mm	.118" 3 mm	.118" 3 mm
108067-01	GR10	.0032"-.016" 0,08 mm-0,4 mm	.394" 10 mm	.118" 3 mm	.157" 4 mm
108152-05	GR13	.008"-.020" 0,2 mm-0,5 mm	.512" 13 mm	.157" 4 mm	.197" 5 mm
108018-02	GR16	.020"-.031" 0,5 mm-0,8 mm	.630" 16 mm	.157" 4 mm	.197" 5 mm
108080-26	GR22	.031"-.059" 0,8 mm-1,5 mm	.866" 22 mm	.315" 8 mm	.276" 7 mm
108080-67	GR22	.039"-.079" 1,0 mm-2,0 mm	.866" 22 mm	.315" 8 mm	.276" 7 mm
108168-01	GR23	.031"-.059" 0,8 mm-1,5 mm	.906" 23 mm	.315" 8 mm	.276" 7 mm
108168-07	GR23	.039"-.079" 1,0 mm-2,0 mm	.906" 23 mm	.315" 8 mm	.276" 7 mm
108181-00	GR26	.039"-.098" 1,0-2,5 mm	1.024" 26 mm	.315" 8 mm	.276" 7 mm
119623-00	GR26-HSM2N	.039"-.098" 1,0-2,5 mm	1.024" 26 mm	.315" 8 mm	.276" 7 mm
108527-01	GR30	.059"-.118" 1,5 mm-3,0 mm	1.181" 30 mm	.394" 10 mm	.563" 14.3 mm
108191-03	GR31	.071"-.138" 1,8 mm-3,5 mm	1.220" 31 mm	.394" 10 mm	.551" 14 mm
108169-01	GR32	.059"-.157" 1,5-4,0 mm	1.260" 32 mm	.394" 10 mm	.551" 14 mm
108169-20	GR32	.079"-.157" 2,0 mm-4,0 mm	1.260" 32 mm	.394" 10 mm	.551" 14 mm
108128-12	GR35	.098"-.177" 2,5 mm-4,5 mm	1.378" 35 mm	.472" 12 mm	.630" 16 mm
108128-14	GR35	.079"-.177" 2,0-4,5 mm	1.378" 35 mm	.472" 12 mm	.630" 16 mm
108149-04	GR40	.118"-.197" 3,0 mm-5,0 mm	1.575" 40 mm	.591" 15 mm	.630" 16 mm
227662-01	GR45	.197"-.276" 5,0 mm-7,0 mm	1.772" 45 mm	.472" 12 mm	.866" 22 mm
108180-09	GR47	.157"-.315" 4,0-8,0 mm	1.850" 47 mm	.669" 17 mm	.688" 17,5 mm
227613-01	GR52	.276"-.354" 7,0 mm-9,0 mm	2.047" 52 mm	.472" 12 mm	.827" 21 mm
108607-02	GR72	.276"-.472" 7,0-12,0 mm	2.835" 72 mm	1.181" 30 mm	.937" 23,8 mm
227658-01	GR80	.315"-.591" 8,0 mm-15,0 mm	3.150" 80 mm	.984" 25 mm	1.181" 30 mm

For Your Information

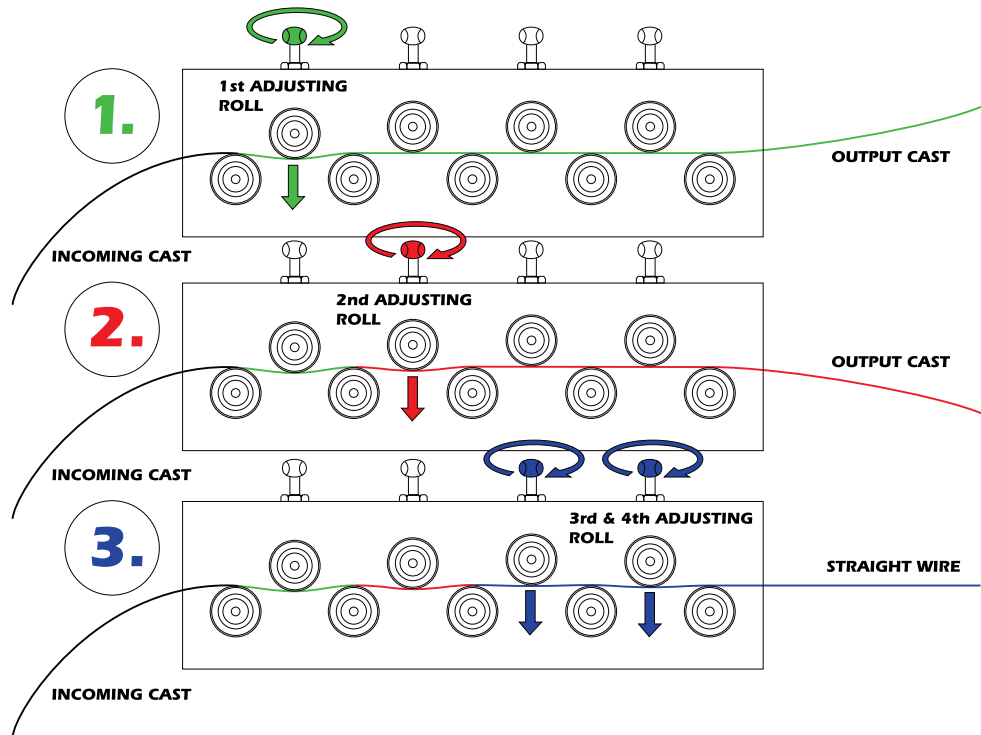
Sjogren has introduced an "orientation marker groove" on our v-grooved roller bearings. This groove should be placed closest to the straightener base for all bearings. (See the illustration below)



Orientation Marker Groove



Basic Straightening Instructions



ROLLS RECOMMENDED PRODUCT MAINTENANCE SCHEDULE

GROOVE TYPE	MATERIAL	FREQUENCY
VEE	Low Carbon	9 Months
VEE	Medium Carbon	6 Months
VEE	High Carbon	3 Month
VEE	Non-Ferrous	12-18 Months
Radius	Low Carbon	12 Months
Radius	Medium Carbon	9 Months
Radius	High Carbon	6 Months
Radius	Non-Ferrous	15-21 Months

* Based Upon 80-100 HR Machine Time

▶ HIGH SPEED CARTRIDGE ASSEMBLY

A roller design exclusively from Sjogren improves spindle uptime by enabling faster line speeds and less frequent replacement. The High Speed Cartridge Assembly is compatible with straighteners and roller size or groove shape. The assembly incorporates two pre-loaded bearings for superior straightener performance at high line speeds.

- Two pre-loaded bearings within the assembly reduce roller wobble at high speed, which improves straightener performance.
- Groove surface hardness of HV 2500 with Sjogren's proprietary Heat Treat & Coating process. Also comparative with any specialty roller surface: carbide, ceramic, etc.
- Cartridge design prevents over-tightening during replacement: eliminates this common error typically made by lesser-trained operators.



▶ SJOGREN'S HEAT TREAT & COATING PROCESS

This innovation, available only from Sjogren, addresses problems associated with high line speed operations. High line speeds typically require expensive specialty roller materials to avoid groove wear, or else suffer excessive downtime due to frequent replacement of conventional rollers. Sjogren's process delivers performance approaching that of carbide at significantly lower cost.

- Titanium nitride (TiN) coating provides groove surface hardness of HV 2500
- Support layer treated by plasma nitride to hardness of RC 70/72
- Base material of greater hardness than conventional bearings



▶ ROLLERS FOR STRAIGHTENER

No matter what manufacturer's straightener assembly you currently use, Sjogren can provide you with replacement grooved rolls that will work in your current configuration. Any size roller, any shape groove, any quantity — including short runs. The Sjogren alignment marker accounts for variations in bearing width, and makes it easy for the operator to identify the correct way to mount replacement rollers to maintain tolerances.

▶ CUSTOM GROOVE SHAPES

If your drawing process requires a non-standard wire shape, Sjogren can suit your exact specifications. Our machining tolerances assure you of an exact match.

▶ SPECIALTY MATERIALS

Operations involving specially coated wire or soft/precious metals often require a non-metallic straightener roll surface. Sjogren can help you find solutions to marking problems by supplying you with the appropriate non-metal rollers.





Minimizes set up time by eliminating roll set up adjustments utilizing the quick opening feature.

Eliminates the need for complicated and costly base plates for mounting. Yields lower weight. Compact thus saving space.

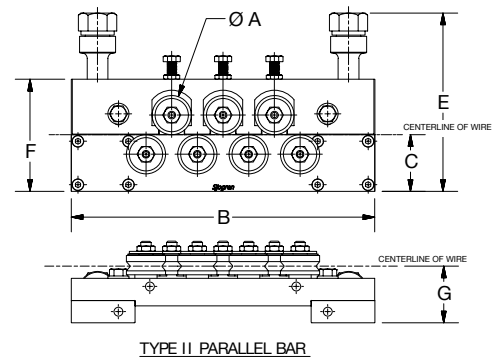
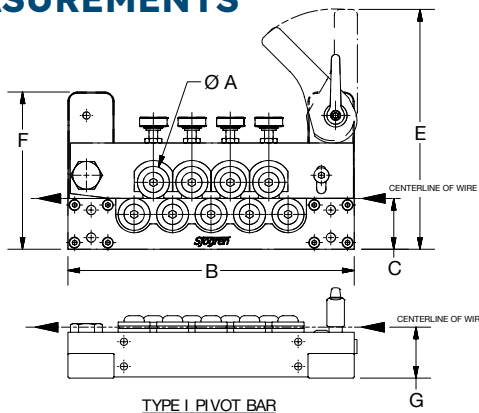
DESCRIPTION

- Pivot Bar (PB) design for simple and precise quick opening of straightener without affecting roll adjustments
- Precision wire straighteners in modular design for straightening wire on one or two planes
- Designed for vertical or horizontal attitude on common base plate or flat machine mounting surface.
- Precision machine components provide optimum straightening quality

TECHNICAL SPECIFICATIONS

MODEL	TYPE	WIRE DIA. RANGE	DIAMETER "A"	C	E	F	G	B				
								5 ROLL	7 ROLL	9 ROLL	11 ROLL	13 ROLL
PB-10	I	0,08-0,4	10 mm	28 mm	136 mm	74 mm	28 mm	100 mm	113 mm	126 mm	139 mm	152 mm
PB-13	I	0,2-0,5	13 mm	30 mm	142 mm	79 mm	30 mm	107 mm	123 mm	139 mm	155 mm	171 mm
PB-16	I	0,4-0,8	16 mm	32 mm	156 mm	99 mm	32 mm	126 mm	146 mm	166 mm	186 mm	206 mm
PB-22	I	0,8-1,5	22 mm	35 mm	165 mm	108 mm	35 mm	144 mm	171 mm	197 mm	224 mm	250 mm
PB-23	I	1,0-2,0	23 mm	35 mm	165 mm	108 mm	35 mm	140 mm	167 mm	195 mm	223 mm	250 mm
PB-26	I	1,0-2,5	26 mm	37 mm	193 mm	110 mm	37 mm	152 mm	183 mm	214 mm	245 mm	276 mm
PB-30	I	1,5-3,0	30 mm	38 mm	200 mm	118 mm	38 mm	166 mm	202 mm	238 mm	274 mm	310 mm
PB-31	I	1,8-3,5	31 mm	38 mm	200 mm	118 mm	38 mm	170 mm	207 mm	244 mm	281 mm	318 mm
PB-32	I	2,0-4,0	32 mm	38 mm	200 mm	118 mm	38 mm	172 mm	210 mm	248 mm	286 mm	324 mm
PB-35	I	2,5-4,5	35 mm	50 mm	255 mm	153 mm	50 mm	202 mm	245 mm	288 mm	331 mm	374 mm
PB-40	I	3,0-5,0	40 mm	53 mm	258 mm	153 mm	53 mm	220 mm	270 mm	320 mm	370 mm	420 mm
PB-45	II	5,0-7,0	45 mm	65 mm	204 mm	129 mm	65 mm	289 mm	348 mm	407 mm	466 mm	NA
PB-47	II	4,0-8,0	47 mm	65 mm	204 mm	129 mm	65 mm	311 mm	371 mm	431 mm	491 mm	NA
PB-52	II	7,0-9,0	52 mm	70 mm	209 mm	134 mm	70 mm	324 mm	391 mm	458 mm	525 mm	NA
PB-80	II	8,0-15,0	80 mm	90 mm	225 mm	173 mm	90 mm	39 mm	486 mm	576 mm	NA	NA

MEASUREMENTS



STRAIGHTENER | Application Data Sheet

COMPANY: **CONTACT NAME:**.....

ADDRESS: **TITLE:**

..... **EMAIL:**

..... **PHONE:** **FAX:**

APPLICATION DESCRIPTION: (Please specify O.E.M./Retrofit. Describe physical/special conditions.)

.....

.....

.....

- TYPE OF PROCESS -

MATERIAL:

SPECIAL MATERIAL CHARACTERISTICS (i.e. Coatings, Temperature):

TENSILE/YIELD STRENGTH: mPa KPSI **PROCESS LINE SPEED:** m/min ft/min **PROCESS LINE TENSION:** kg lbs

INITIAL CONDITIONS: CAST mm in **HELIX:** mm in **DESIRED FINAL CONDITION:** ... / mm/m in/ft

1 PLANE	2 PLANES	PREFERRED GROOVE STYLE
<input type="checkbox"/> Required	<input type="checkbox"/> Required	<input type="checkbox"/> Radius <input type="checkbox"/> Vee

NOTE: Radius grooves are recommended for specific sizes while Vee-grooves are available for ranges.

<p>WIRE SIZE</p> <p><input type="checkbox"/> Diameter Range (Vee Groove)</p> <p style="margin-left: 40px;"><input type="checkbox"/> mm <input type="checkbox"/> mm</p> <p style="margin-left: 40px;"><input type="checkbox"/> in <input type="checkbox"/> in TO</p> <p><input type="checkbox"/> Specific Diameter (Radius Groove)</p> <p style="margin-left: 40px;"><input type="checkbox"/> mm <input type="checkbox"/> mm</p> <p style="margin-left: 40px;"><input type="checkbox"/> in <input type="checkbox"/> in</p>	<p>PAYOFF/TAKEUP TYPE (For determining proper orientation):</p> <p><input type="checkbox"/> Spool <input type="checkbox"/> Rotating Carrier <input type="checkbox"/> Stationery Carrier</p> <p><input type="checkbox"/> Other (please describe):</p> <table border="0" style="width: 100%; margin-top: 10px;"> <tr> <td style="width: 33%;"><input type="checkbox"/> Horizontal</td> <td style="width: 33%;"><input type="checkbox"/> Vertical</td> <td style="width: 33%;"><input type="checkbox"/> Left to Right</td> </tr> <tr> <td style="padding-left: 20px;"><input type="checkbox"/> Cast UP</td> <td style="padding-left: 20px;"><input type="checkbox"/> Cast Toward Operator</td> <td style="padding-left: 20px;"><input type="checkbox"/> Right to Left</td> </tr> <tr> <td style="padding-left: 20px;"><input type="checkbox"/> Cast DOWN</td> <td style="padding-left: 20px;"><input type="checkbox"/> Cast Away from Operator</td> <td></td> </tr> </table>	<input type="checkbox"/> Horizontal	<input type="checkbox"/> Vertical	<input type="checkbox"/> Left to Right	<input type="checkbox"/> Cast UP	<input type="checkbox"/> Cast Toward Operator	<input type="checkbox"/> Right to Left	<input type="checkbox"/> Cast DOWN	<input type="checkbox"/> Cast Away from Operator	
<input type="checkbox"/> Horizontal	<input type="checkbox"/> Vertical	<input type="checkbox"/> Left to Right								
<input type="checkbox"/> Cast UP	<input type="checkbox"/> Cast Toward Operator	<input type="checkbox"/> Right to Left								
<input type="checkbox"/> Cast DOWN	<input type="checkbox"/> Cast Away from Operator									

SALES@SJOGREN.COM

Providing wire tooling equipment since 1927
 982 Southbridge St. • Worcester, MA 01610 USA
 Tel 508-987-3206 • Fax 508-987-1965 • www.sjogren.com





Precision wire straighteners in modular design for straightening wire on two planes.

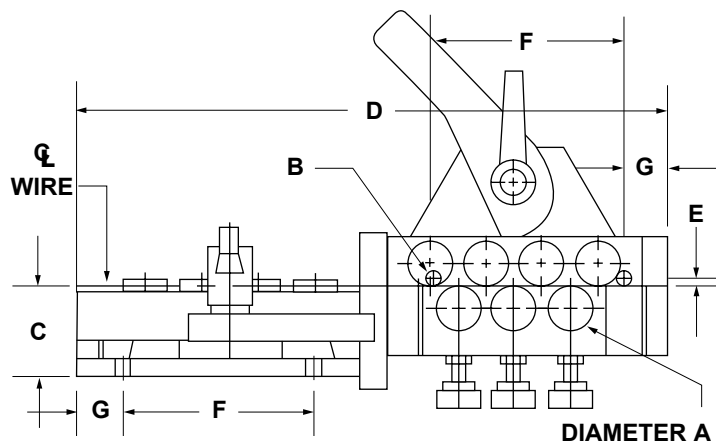
Standard tool with large number of styles and sizes for wire diameters from 0,08 mm to 15 mm.

Highest manufacturing precision means highest straightening precision.

DESCRIPTION

- Standardized straightener units for vertical or horizontal wire straightening
- The straightener units can be ordered with 5, 7, 9, 11 or 13 straightener rolls
- Standard straightener rolls have V-grooves; optional grooves upon request
- Grooved rolls feature precision ball bearings
- greased for long life
- Mechanical precision adjustment of the straightening rollers with readout capability is available
- Quick-release lever with locking handle for simple opening without affecting roll adjustments
- Two plane units available in 8 different orientations

MEASUREMENTS



MODEL	DIAMETER A	B	C
EC 10	10 mm	M5	22 mm
EC 13	13 mm	M6	32 mm
EC 16	16 mm	M6	32 mm
EC 22	22 mm	M10	37 mm
EC 23	23 mm	M10	37 mm
EC 30	30 mm	M12	43 mm
EC 31	31 mm	M12	43 mm
EC 32	32 mm	M12	43 mm
EC 35	35 mm	M12	49 mm
EC 40	40 mm	M12	49 mm
EC 45	45 mm	M12	52 mm
EC 52	52 mm	M12	52 mm
EC 80	80 mm	M12	74 mm

TECHNICAL SPECIFICATIONS

MODEL	STRAIGHTENER ROLLS DIAMETER A	WIRE DIAMETER RANGE	MEASUREMENT D FOR 2 X 5 STRAIGHTENER ROLLS	MEASUREMENT D FOR 2 X 7 STRAIGHTENER ROLLS	MEASUREMENT D FOR 2 X 9 STRAIGHTENER ROLLS	MEASUREMENT D FOR 2 X 11 STRAIGHTENER ROLLS	MEASUREMENT D FOR 2 X 13 STRAIGHTENER ROLLS
EC 10	10 mm	0,08 - 0,4 mm	106 mm	132 mm	158 mm	184 mm	210 mm
EC 13	13 mm	0,2 - 0,5 mm	126 mm	158 mm	190 mm	222 mm	254 mm
EC 16	16 mm	0,4 - 0,8 mm	168 mm	212 mm	256 mm	300 mm	344 mm
EC 22	22 mm	0,8 - 1,5 mm	206 mm	262 mm	318 mm	374 mm	430 mm
EC 23	23 mm	1,0 - 2,0 mm	206 mm	262 mm	318 mm	374 mm	430 mm
EC 30	30 mm	1,5 - 3,0 mm	252 mm	328 mm	404 mm	480 mm	556 mm
EC 31	31 mm	1,8 - 3,5 mm	252 mm	328 mm	404 mm	480 mm	556 mm
EC 32	32 mm	2,0 - 4,0 mm	252 mm	328 mm	404 mm	480 mm	556 mm
EC 35	35 mm	2,5 - 4,5 mm	312 mm	412 mm	512 mm	612 mm	712 mm
EC 40	40 mm	3,0 - 5,0 mm	312 mm	412 mm	512 mm	612 mm	712 mm
EC 45	45 mm	5,0 - 7,0 mm	415 mm	571 mm	727 mm	883 mm	-
EC 52	52 mm	7,0 - 9,0 mm	415 mm	571 mm	727 mm	883 mm	-
EC 80	80 mm	8,0 - 15,0 mm	563 mm	743 mm	923 mm	-	-

For 2 plane units specify orientation #1 through #8 per chart at time of order placement.

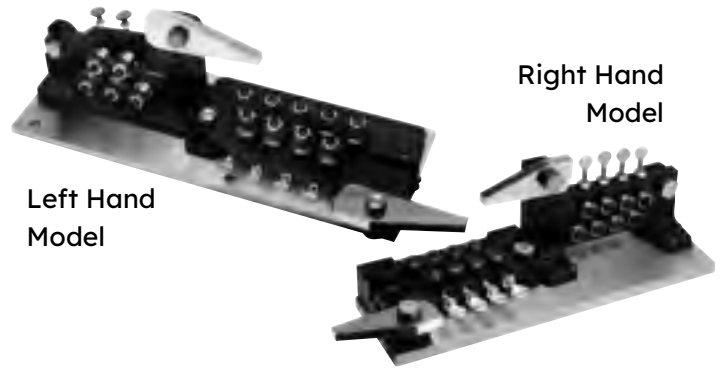
Precision wire straighteners in modular design for straightening wire on two planes for metric measurement.

Standard units with large number of styles and sizes for wire diameters from 0.0015 in to 1.00 in and cable to 2.00 in diameter.

Straighteners are manufactured with highest precision which results in highest straightening precision.

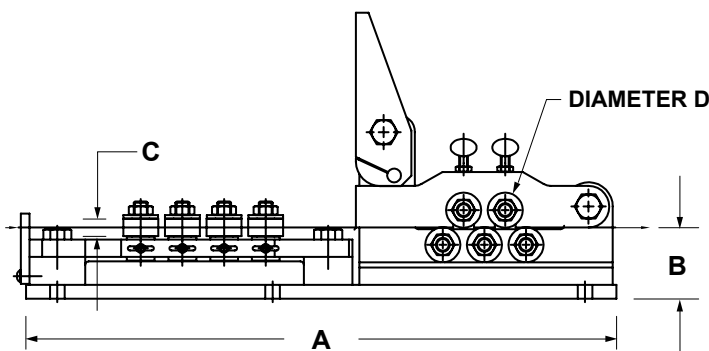
DESCRIPTION

- Standardized straightener units for 2 plane, vertical and horizontal wire straightening
- The straightener units include a common baseplate for ease of mounting
- Units feature quick release levers with spring loaded rolls for quick opening without affecting roll adjustments
- Standard straightener rolls have V-grooves; optional groove shapes available upon request



- Grooved rolls feature precision ball bearings greased for long life
- Mechanical precision adjustment of the straightening rollers with readout capability is available
- Inch Series straighteners are available in 2 different handling designs with custom configurations available upon request.

MEASUREMENTS



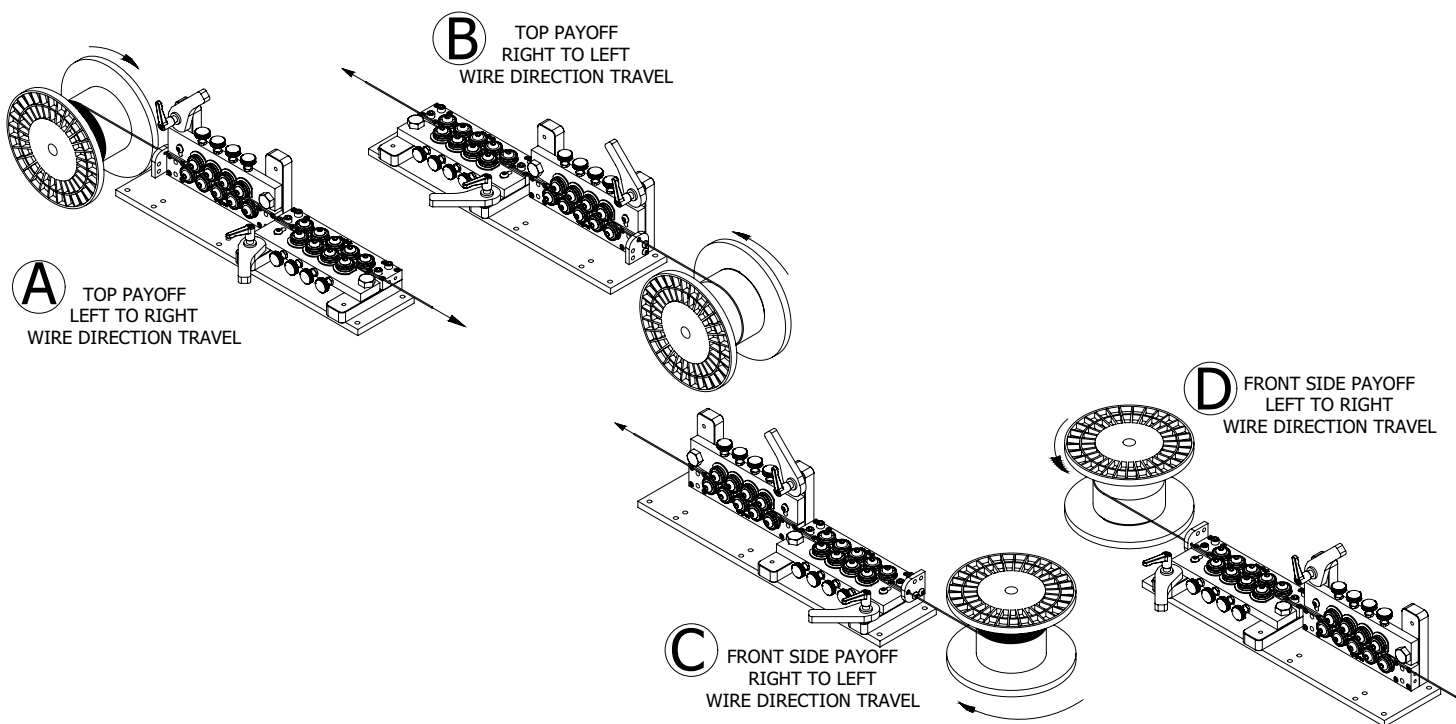
MODEL	A	B	C	DIAMETER D
S10A	9.12"	1.06"	0.09"	0.19"
S15A	8.12"	1.21"	.109"	0.25"
715A	11.25"	1.50"	0.16"	0.38"
319A	10.12"	1.50"	0.20"	0.50"
812A	12.62"	1.50"	0.20"	0.50"
116	10.75"	1.53"	0.28"	0.75"
116 (9x9)	13.00"	2.00"	0.28"	0.75"
507	21.25"	2.56"	0.62"	1.26"
507 (9x9)	23.75"	2.56"	0.62"	1.26"
507N	13.31"	2.50"	0.62"	1.26"
507JR	10.82"	2.25"	0.62"	1.26"
245	23.00"	3.18"	0.88"	1.85"
169	28.25"	3.62"	1.05"	2.44"
353	29.25"	4.25"	1.12"	3.25"
377	32.00"	4.62"	1.50"	2.75"
342	56.00"	6.88"	3.50"	5.75"

TECHNICAL SPECIFICATIONS

MODEL	ROLL DIAMETER D	WIRE DIAMETER RANGE	ROLLS PER PLANE	TOTAL NUMBER OF ROLLS	TOTAL WEIGHT POUNDS
S10A	0.19"	.0015-.010"	21	42	5.2
S15A	0.25"	.0015-.010"	16	32	3.1
715A	0.38"	.003-.015"	14H-10V	24	8
319A	0.50"	.015-.032"	16	32	7
812A	0.50"	.015-.032"	14H-10V	24	9
116	0.75"	.030-.062"	9H-5V	14	12
116 (9x9)	0.75"	.030-.062"	9	18	18
507	1.26"	.062-.125"	9H-5V	14	60
507 (9x9)	1.26"	.062-.125"	9	18	76
507N	1.26"	.062-.125"	5	10	20
507JR	1.26"	.062-.125"	5	10	17
245	1.85"	.125-.250"	7H-5V	12	110
169	2.44"	.250-.375"	7H-5V	12	185
353	3.25"	.375-.500"	5	10	230
377	2.75"	.500-.750"	5	10	230
342	5.75"	.500-1.000"	5	10	750

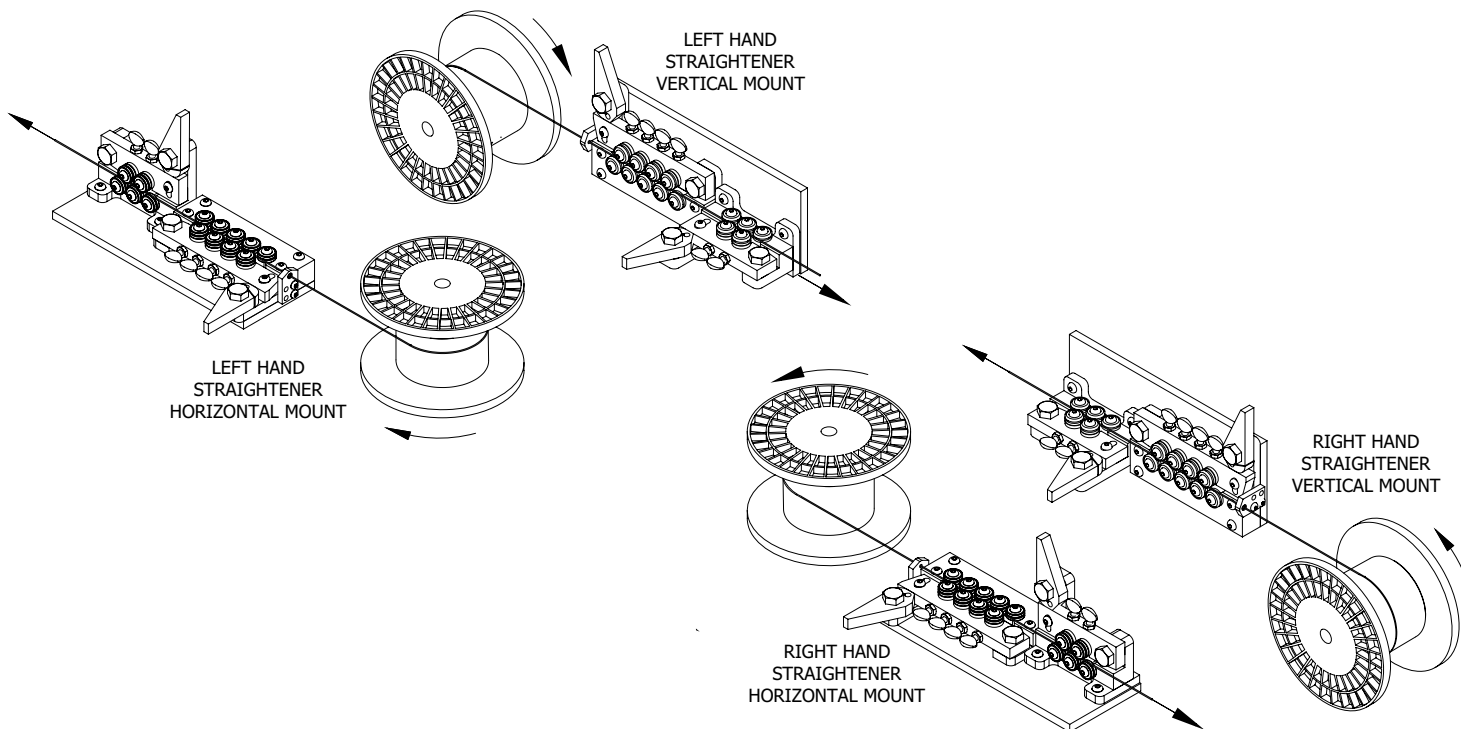
Specify right or left hand orientation per chart at time of order placement.

▶ PB STRAIGHTENER



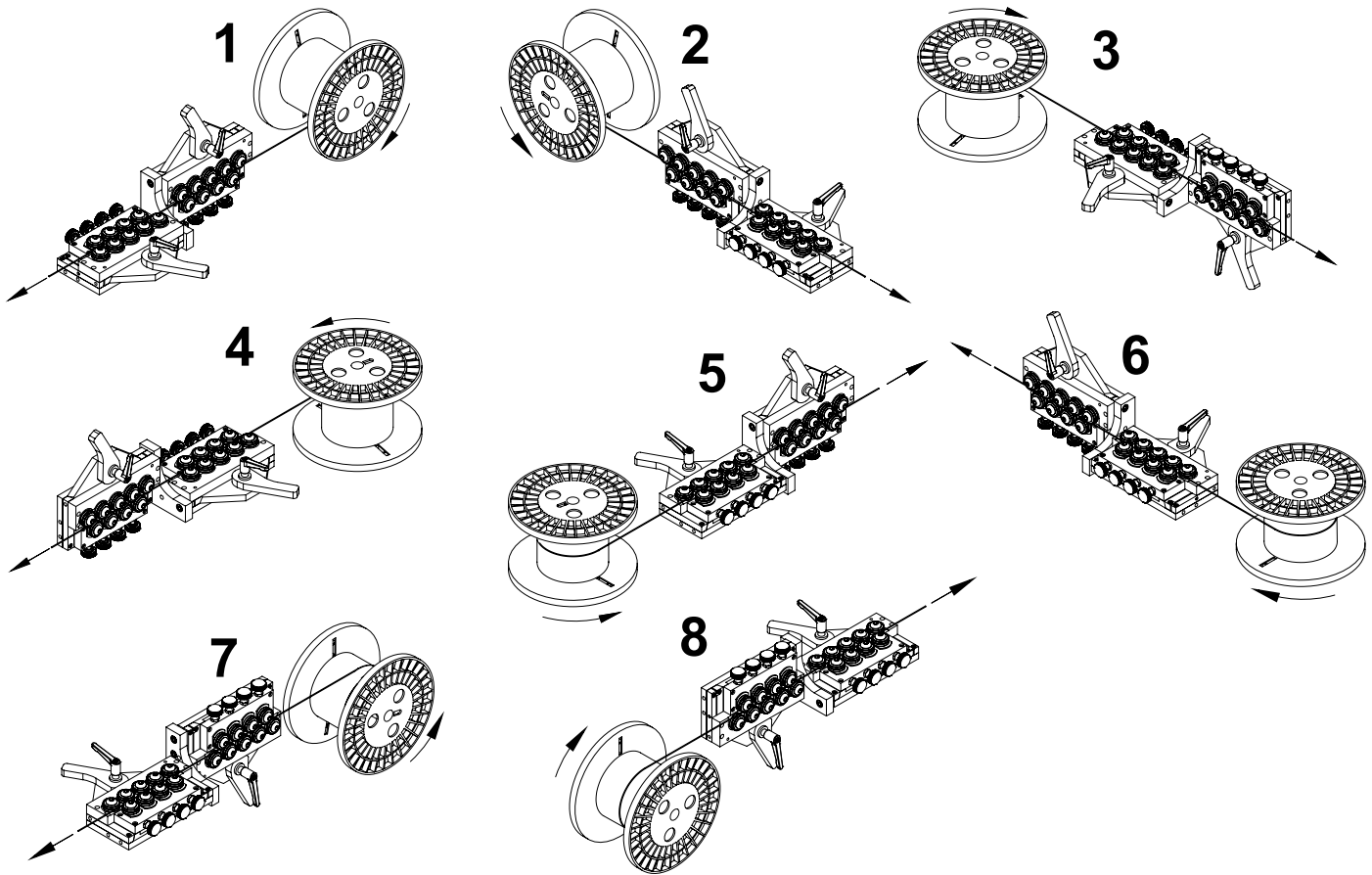
For 2 plane units specify orientation A, B, C, or D at time of order placement.

▶ IS STRAIGHTENER



Specify right or left hand orientation per chart at time of order placement.

▶ EC STRAIGHTENER



For 2 plane units specify orientation #1 through #8 per chart at time of order placement.

▶ WIRE STRAIGHTENER OPTIONAL FEATURES

- Black Chromate option can be used for plating of steel parts to prevent rusting.
- Micrometer Adjustment option can be incorporated on any of our modular straighteners. For smaller wires — up to .125" / 3 mm in diameter — they feature precision vernier-style micrometer heads. For wire greater than .062" (1.5 mm) in diameter, Digital Position Indicators mounted integrally with rotating shaft are utilized.
- Wire Guide option can be used on all straighteners
- Offset Cam Handles can be incorporated in the EC style straighteners to save space and prevent having to reach over the unit to operate the cam handle
- Baseplates, Floor Mounting Brackets and Mountings Brackets available for all straighteners.

▶ SELECTION OF WIRE STRAIGHTENERS

APPLICATION	SUGGESTED STRAIGHTENER
Quick Release, High performance, precision, flexibility	IS/PB or EC style
Multiple wires in close proximity	NL style
Adjustable centerline for wire forming machines	CA style
Short-length products — nails, etc.	TR style
Rods or large diameter wire	HD style
Simple for all wire ranges	LD style



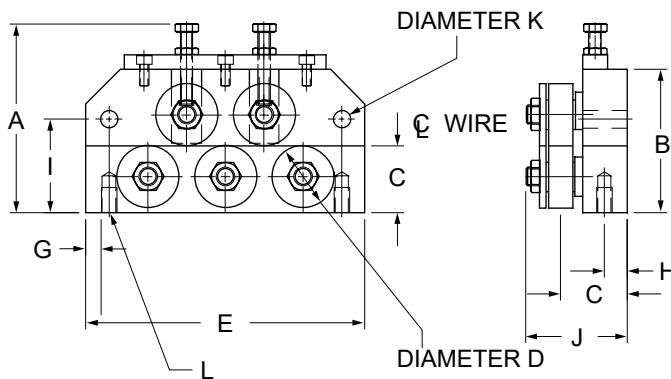
Simple, cost-effective, single-piece wire straightener that can be combined with another to straighten wire on two planes.

Great variety of models and sizes for wire diameters from 0,8 mm to 7,0 mm.

The base is precision machined from a single piece; this means the straightener has a high level of rigidity.

- Standardized straightening units can be combined for vertical and horizontal straightening
- A base with different numbers of fixed lower straightener rolls
- Different number of upper straightener rolls, can be individually adjusted
- No folding mechanism with quick-release levers to open the straightener rolls
- Standard straightener rolls have V-grooves; optional groove profiles upon request
- Grooved rolls feature precision ball bearings greased for long life

► MEASUREMENTS



SPEC	LD 22	LD 23	LD 30	LD 31	LD 32	LD 35	LD 40	LD 45
A	90 mm	90 mm	122 mm	122 mm	122 mm	117 mm	140 mm	152 mm
B	55 mm	55 mm	74 mm	74 mm	74 mm	80 mm	102 mm	112 mm
C	27 mm	27,5 mm	33 mm	33,5 mm	34 mm	38 mm	43 mm	46 mm
D	22 mm	23 mm	30 mm	31 mm	32 mm	35 mm	40 mm	45 mm
G	15 mm	15 mm	15 mm	15 mm	15 mm	15 mm	15 mm	20 mm
H	10 mm	10 mm	10 mm	10 mm	10 mm	10 mm	15 mm	15 mm
I	35 mm	35 mm	45 mm	45 mm	45 mm	52 mm	60 mm	70 mm
J	38 mm	38,5 mm	48 mm	48,5 mm	49 mm	57 mm	66 mm	75 mm
K	6,5 mm	6,5 mm	8,7 mm	8,7 mm	8,7 mm	11 mm	11 mm	13 mm
L	M6	M6	M8	M8	M8	M10	M10	M12

MODEL	STRAIGHTENER ROLLS DIAMETER D	WIRE DIAMETER RANGE	POSSIBLE NUMBER OF STRAIGHTENER ROLLS	MEASUREMENT E FOR 3 STRAIGHTENER ROLLS	MEASUREMENT E FOR 5 STRAIGHTENER ROLLS	MEASUREMENT E FOR 7 STRAIGHTENER ROLLS	MEASUREMENT E FOR 9 STRAIGHTENER ROLLS
LD 22	22 mm	0,8 - 1,5 mm	3, 5, 7, 9	74 mm	100 mm	126 mm	152 mm
LD 23	23 mm	1,0 - 2,0 mm	3, 5, 7, 9	74 mm	100 mm	126 mm	152 mm
LD 30	30 mm	1,5 - 3,0 mm	3, 5, 7, 9	82 mm	120 mm	158 mm	196 mm
LD 31	31 mm	1,8 - 3,5 mm	3, 5, 7, 9	82 mm	120 mm	158 mm	196 mm
LD 32	32 mm	2,0 - 4,0 mm	3, 5, 7, 9	82 mm	120 mm	158 mm	196 mm
LD 35	35 mm	2,5 - 4,5 mm	3, 5, 7, 9	128 mm	171 mm	214 mm	257 mm
LD 40	40 mm	3,0 - 5,0 mm	3, 5, 7, 9	130 mm	180 mm	230 mm	280 mm
LD 45	45 mm	5,0 - 7,0 mm	3, 5, 7, 9	160 mm	238 mm	316 mm	394 mm

Simple, cost-effective, single-piece wire straightener that can be combined with another to straighten wire on two planes.

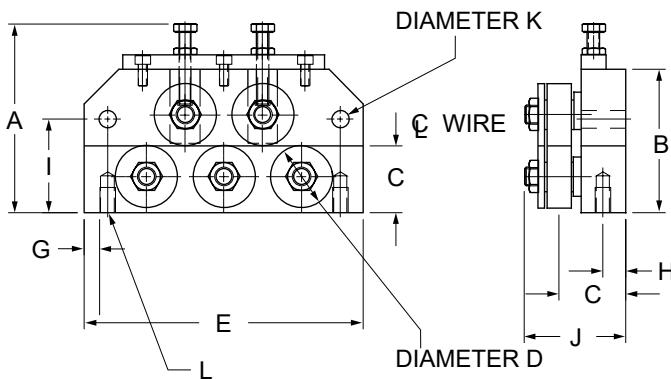
Great variety of models and sizes for wire diameters from 7,0 mm to 30,0 mm.

The base is precision machined from a single piece; this means the straightener has a high level of rigidity.



- Standardized straightening units can be combined for vertical and horizontal straightening
- A base with different numbers of fixed lower straightener rolls
- Different number of upper straightener rolls, can be individually adjusted
- No folding mechanism with quick-release levers to open the straightener rolls
- Standard straightener rolls have V-grooves; optional groove profiles upon request
- Grooved rolls feature precision ball bearings greased for long life

► MEASUREMENTS



SPEC	LD 52	LD 80	LD 801	LD 110	LD 125	LD 150
A	170 mm	218 mm	320 mm	286 mm	431 mm	469 mm
B	119 mm	167,5 mm	171,5 mm	175 mm	240 mm	260,5 mm
C	56 mm	81 mm	120 mm	112 mm	160 mm	180 mm
D	52 mm	80 mm	80 mm	110 mm	125 mm	150 mm
G	20 mm	45 mm	47 mm	60 mm	106 mm	96 mm
H	20 mm	25 mm	71,5 mm	58,7 mm	98,7 mm	90,8 mm
I	90 mm	125 mm	180 mm	146,6 mm	220 mm	235 mm
J	84,5 mm	120,5 mm	146 mm	153 mm	206 mm	226 mm
K	13 mm	13 mm	17 mm	17 mm	17 mm	17 mm
L	M12	M16	M20	M20	M20	M20

MODEL	STRAIGHTENER ROLLS DIAMETER D	WIRE DIAMETER RANGE	POSSIBLE NUMBER OF STRAIGHTENER ROLLS	MEASUREMENT E FOR 3 STRAIGHTENER ROLLS	MEASUREMENT E FOR 5 STRAIGHTENER ROLLS	MEASUREMENT E FOR 7 STRAIGHTENER ROLLS	MEASUREMENT E FOR 9 STRAIGHTENER ROLLS
LD 52	52 mm	7,0 - 9,0 mm	3, 5, 7, 9	164 mm	242 mm	320 mm	320 mm
LD 80	80 mm	8,0 - 15,0 mm	3, 5, 7	220 mm	350 mm	470 mm	
LD 801	80 mm	5,0 - 15,0 mm	5, 7		336 mm	466 mm	
LD 110	110 mm	10,0 - 20,0 mm	3, 5, 7	322 mm	472 mm	622 mm	
LD 125	125 mm	15,0 - 25,0 mm	5, 7		500 mm	680 mm	
LD 150	150 mm	20,0 - 30,0 mm	5, 7		632 mm	852 mm	



Heavy Duty straightener units for large diameter wire.

Single straightening units can be combined for wire straightening applications on two different planes.

Great variety of models and sizes for wire diameters from 5,0 mm to 30,0 mm.

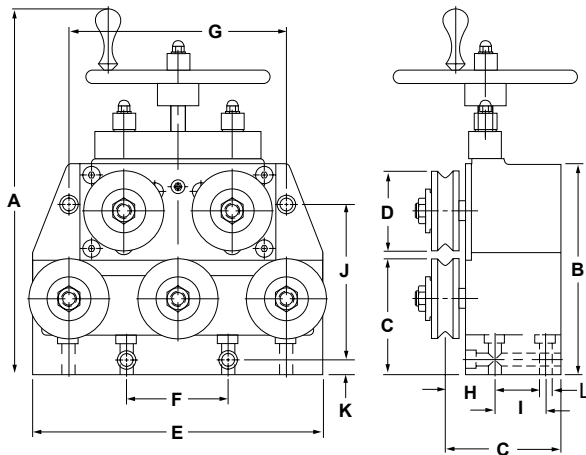
DESCRIPTION

- Standardized straightening units can be combined for vertical and horizontal straightening
- Standard model comes with 5 straightener rolls: 3 fixed straightener rolls below and 2 adjustable straightener rolls above
- Hand wheel for manual quick opening of the straightener
- Standard straightener rolls have V-grooves; optional groove profiles possible
- Grooved rolls feature precision ball bearings greased for long life
- Decreased the weight by 20%

REDESIGNED IN 2020

- Made the frame modular so the HD0515 and HD1020 utilize the same frame which allows the rolls to be interchanged. So both models can now process wire diameters 5-20mm with a change of rolls only.
- Made the frame modular so the HD1525 and HD1030 utilize the same frame which allows the rolls to be interchanged. So both models can now process wire diameters 15-30mm with a change of rolls only.
- Reduced our manufacturing cost resulting in reduced customer pricing
- All units are now easily adaptable to hydraulic quick opening.

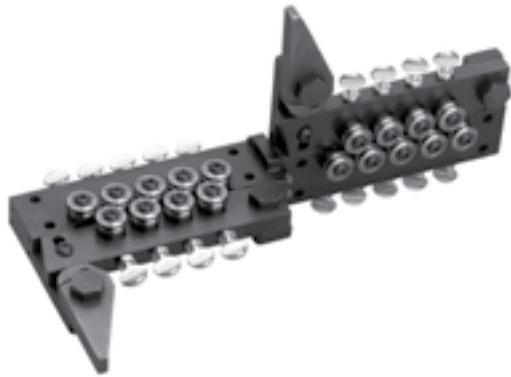
MEASUREMENTS



SPEC	HD 0515	HD 1020	HD 1525	HD 2030
A	430 mm	500 mm	575 mm	615 mm
B	235 mm	290 mm	320 mm	360 mm
C	120 mm	160 mm	160 mm	180 mm
D DIAMETER	80 mm	110 mm	125 mm	150 mm
E	300 mm	400 mm	500 mm	600 mm
F	260 mm	140 mm	180 mm	220 mm
G	260 mm	300 mm	360 mm	440 mm
H	50 mm	70 mm	70 mm	85 mm
I	50 mm	70 mm	70 mm	70 mm
J	130 mm	215 mm	250 mm	210 mm
K	20 mm	20 mm	20 mm	25 mm
L	M 16	M 16	M 16	M 16

TECHNICAL SPECIFICATIONS

MODEL	STRAIGHTENER ROLLS ROLL DIAMETER D	WIRE DIAMETER RANGE	STANDARD NUMBER OF STRAIGHTENER ROLLS	NUMBER OF FIXED STRAIGHTENER ROLLS BELOW	NUMBER OF ADJUSTABLE STRAIGHTENER ROLLS ABOVE
HD 0515	80 mm	5 - 15 mm	5	3	2
HD 1020	110 mm	10 - 20 mm	5	3	2
HD 1525	125 mm	15 - 25 mm	5	3	2
HD 2030	150 mm	20 - 30 mm	5	3	2



Wire straightener with rolls that can each be set separately using individual adjustments.

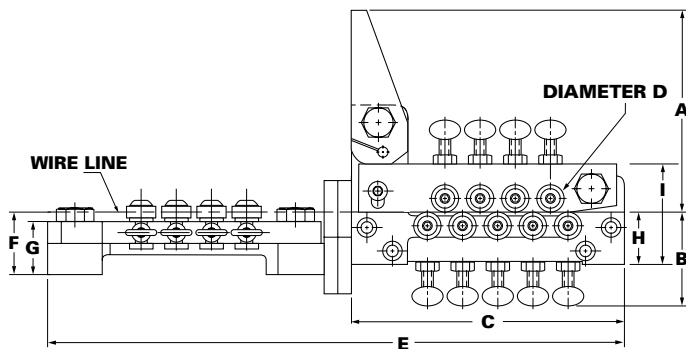
Different model sizes, each with 2 x 9 rolls for a wire diameter range from 0,4 mm to 4,8 mm; and 2x14 rolls for a wire diameter range from 0,08-0,38mm

Ideal for use on forming machines for the manufacture of springs and formed wire applications.

DESCRIPTION

- Combination wire straightener units for straightening wire on vertical and horizontal plane
- All 18 or 28 straightener rolls can each be manually adjusted
- Opening and closing of the straightener units via quick-release levers is standard
- Standard straightener rolls have V-grooves; optional groove profiles upon request
- Grooved rolls feature precision ball bearings greased for long life
- High precision straightening by a total of 18 or 28 straightener rolls

MEASUREMENTS



	CA 715A	CA 319A	CA 116	CA 507	CA 507-35
A	88,7 mm	92 mm	111 mm	197 mm	197 mm
B	38,1 mm	47 mm	57 mm	95 mm	95 mm
C	152,4 mm	125 mm	160 mm	295 mm	295 mm
D DIAMETER	9,53 mm	12,7 mm	19 mm	32 mm	35 mm
E	327,9 mm	264 mm	340 mm	609 mm	609 mm
F	27,2 mm	28,2 mm	29,2 mm	52,3 mm	52,3 mm
G	23,3 mm	24 mm	22 mm	41 mm	41 mm
H	25,4 mm	25 mm	41 mm	70 mm	70 mm
I	44,5 mm	48 mm	73 mm	127 mm	127 mm

TECHNICAL SPECIFICATIONS

MODEL	STRAIGHTENER ROLLS DIAMETER D	WIRE DIAMETER RANGE	NUMBER OF STRAIGHTENER ROLLS PER PLANE	TOTAL NUMBER OF STRAIGHTENER ROLLS	TOTAL WEIGHT
CA 715A	9,53 mm	0,08 - 0,38 mm	14	28	2,7 kg
CA 319A	12,7 mm	0,4 - 0,8 mm	9	18	2 kg
CA 116	19 mm	0,8 - 1,6 mm	9	18	4 kg
CA 507	32 mm	1,6 - 3,2 mm	9	18	20 kg
CA 507 - 35	35 mm	2,3 - 4,8 mm	9	18	20 kg



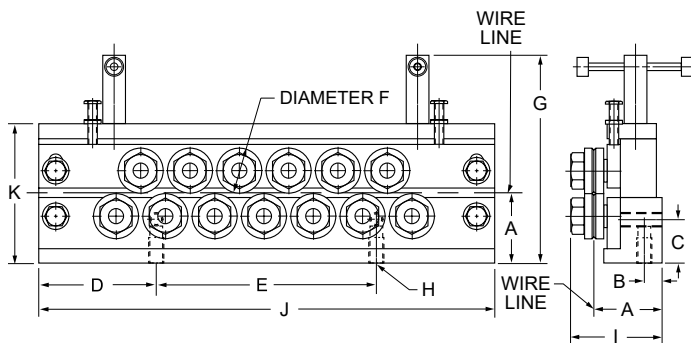
Flexible wire straighteners in the TR series with tilting upper rail for quick adjustment of the straightener rolls.

Different model sizes with various straightener rolls for wire diameters from 0,4 mm to 5,0 mm.

Ideal for use where simplicity of adjustment is critical and when producing short length products such as nails and fasteners.

- Standardized straightener units can be combined for vertical and horizontal straightening
- Fixed lower alignment rail with straightener rolls arranged linearly
- Upper tiltable rail allows variable calibration of the straightener rolls via two set screws
- Opening and closing of the alignment rails via quick-release levers
- Standard straightener rolls have V-grooves; optional groove profiles upon request
- Grooved rolls feature precision ball bearings greased for long life
- High precision straightening from a total of 13 straightener rolls

MEASUREMENTS



SPEC	TR 16	TR 22	TR 30	TR 31	TR 32	TR 35	TR 40
A	42 mm	42 mm	48 mm	48 mm	48 mm	56 mm	56 mm
B	22 mm	22 mm	12,5 mm	12,5 mm	12,5 mm	22 mm	22 mm
C	22 mm	22 mm	30 mm	30 mm	30 mm	22 mm	22 mm
D	42,5 mm	42,5 mm	79 mm	79 mm	79 mm	74 mm	74 mm
E	125 mm	125 mm	150 mm	150 mm	150 mm	240 mm	240 mm
F DIAMETER	16 mm	22 mm	30 mm	31 mm	32 mm	35 mm	40 mm
G	135 mm	135 mm	145 mm	145 mm	145 mm	172 mm	172 mm
H	M8	M8	M10	M10	M10	M10	M10
I	52 mm	52 mm	63 mm	63 mm	63 mm	74 mm	74 mm
J	210 mm	210 mm	308 mm	308 mm	308 mm	388 mm	388 mm
K	85 mm	85 mm	95 mm	95 mm	95 mm	114 mm	114 mm

TECHNICAL SPECIFICATIONS

MODEL	STRAIGHTENER ROLLS ROLL DIAMETER F	WIRE DIAMETER RANGE	NUMBER OF STRAIGHTENER ROLLS IN LOWER RAIL	NUMBER OF STRAIGHTENER ROLLS IN UPPER RAIL	TOTAL WEIGHT
TR 16	16 mm	0,4 - 0,8 mm	7	6	5 kg
TR 22	22 mm	0,8 - 1,5 mm	7	6	5 kg
TR 30	30 mm	1,5 - 3,0 mm	7	6	9 kg
TR 31	31 mm	1,8 - 3,5 mm	7	6	9 kg
TR 32	32 mm	2,0 - 4,0 mm	7	6	9 kg
TR 35	35 mm	2,5 - 4,5 mm	7	6	16 kg
TR 40	40 mm	3,0 - 5,0 mm	7	6	16 kg

High precision wire straighteners in the TR series with tiltable rails for quick adjustment of the straightener rolls for high tensile strength wire.

Different model sizes with various straightener rolls for wire diameters from 0.005 in to 0.032 in.

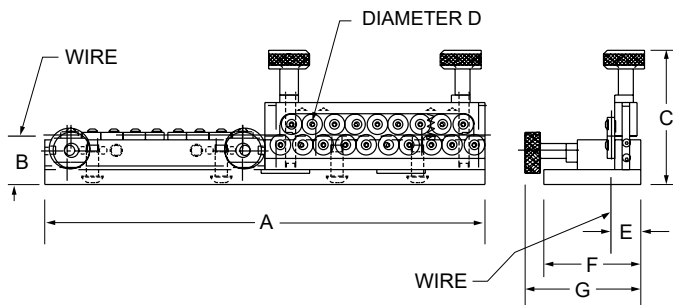
Ideal for use in straightening of high tensile strength wire such as music wire and piano wire.



- Standardized straightener units for 2 plane, vertical and horizontal wire straightening
- The straightener units include a common baseplate for ease of mounting
- Fixed lower alignment rail with straightener rolls arranged linearly
- Upper tilt-able rail allows variable calibration of the straightener rolls via two fine thread adjusting screw knobs

- Standard straightener rolls have V-grooves; optional groove profiles upon request
- Grooved rolls feature precision ball bearings greased for long life
- High precision straightening with a maximum number of rolls to provide sufficient reverse bend cycles for high strength wire
- Mechanical precision adjustment of the straightening rollers with readout capability is available

▶ MEASUREMENTS



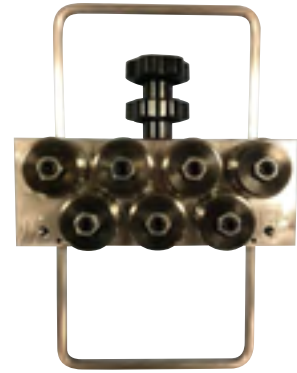
SPEC	TR 683H-70	TR R2-54	TR 634-38
A	343 mm	343 mm	343 mm
B	38,1 mm	38,1 mm	38,1 mm
C	104,65 mm	104,65 mm	104,65 mm
D DIAMETER	6,85 mm	9,25 mm	16 mm
E	25,4 mm	25,4 mm	25,4 mm
F	76,2 mm	76,2 mm	76,2 mm
G	9,19 mm	9,19 mm	9,19 mm

▶ TECHNICAL SPECIFICATIONS

MODEL	ROLL DIAMETER D	WIRE DIAMETER RANGE	ROLLS PER PLANE	TOTAL NUMBER OF ROLLS	TOTAL WEIGHT POUNDS / KG
TR 683h-70	6,86 mm	.127-.228 mm	35	70	5,9 kg
TR R2-54	9,65 mm	.228-.41 mm	27	54	5,9 kg
TR 634-38	16 mm	.41-.81 mm	19	38	5,9 kg

CONTROL LINE TUBING STRAIGHTENER FOR THE OIL AND GAS INDUSTRY

Effective straightening of a slickline or wireline can prevent unnecessary delays in well intervention. For both land-based and off-shore oil rigs, Sjogren's hand-held straightener can help preserve the lifespan of your measuring or transmitting cable or tubing. We custom machine our rollers for the standard tubing diameters (.25", .375", and .5") or to whatever specifications you require. Field-proven on rigs across the globe, our oil industry control line tubing straightener can keep your wellbore operation on the straight and narrow.



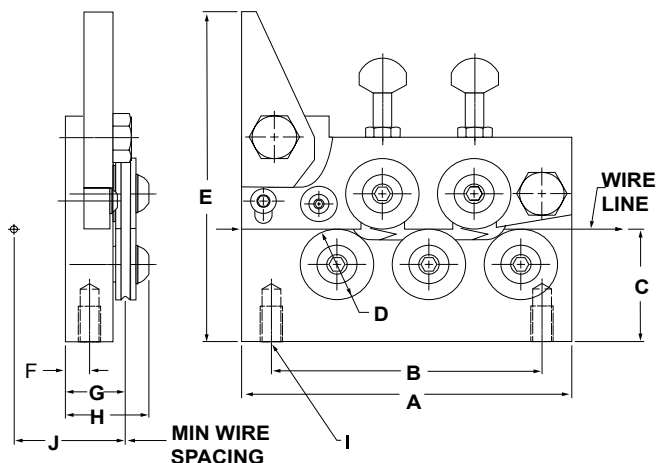
P/N	MODEL	EXTENDED DESCRIPTION	ROLLS DIA.	TUBE SIZE	NUMBER OF ROLLS	LENGTH	WEIGHT
206645-03	IS-507JR-1P, U-GR-.250" DIA.	DESIGNED WITH A STEEL BASE, NO HANDLES AND 5 STEEL ROLLS PER PLANE FOR .250" TUBING	1.26" 32 mm	.250" 6,35 mm	5	4.5" 114,3 mm	4 lbs. 1,82 kg
206645-05	IS-507JR-1P-S, U-GR-.250" DIA.	DESIGNED WITH A STEEL BASE WITH HANDLES AND 5 STEEL ROLLS PER PLANE FOR .250" TUBING	1.26" 32 mm	.250" 6,35 mm	5	5.25" 133,4 mm	6 lbs 2,73 kg
338503-03	NL-507-1PR, U-GR-.250"DIA.	DESIGNED WITH A STEEL BASE, NO HANDLES AND 5 STEEL ROLLS PER PLANE FOR .250" TUBING	1.26" 32 mm	.250" 6,35 mm	5	5.62" 142,75 mm	6LBS 2,73KG
886187-02	NL-245-1PR, U-GR-.250" DIA.	DESIGNED WITH A STEEL BASE, NO HANDLES AND 5 STEEL ROLLS PER PLANE FOR .250" TUBING	1.85" 47 mm	.250" 6,35 mm	5	9.28" 235,7MM	16LBS 7,27KG
448578-01	CL-250-5-1P-S, U-GR-.250" DIA.	DESIGNED WITH AN ALUMINUM BASE WITH HANDLES AND 5 STAINLESS STEEL ROLLS PER PLANE FOR .250" TUBING	2.05" 52MM	.250" 6,35MM	5	10.24" 260,1MM	8LBS 3,6KG
448578-02	CL-375-5-1P-S, U-GR-.375" DIA.	DESIGNED WITH AN ALUMINUM BASE WITH HANDLES AND 5 STAINLESS STEEL ROLLS PER PLANE FOR .375" TUBING	2.05" 52MM	.375" 9,35MM	5	10.24" 260,1MM	8LBS 3,6KG
448578-03	CL-500-5-1P-S, U-GR-.500" DIA.	DESIGNED WITH AN ALUMINUM BASE WITH HANDLES AND 5 STAINLESS STEEL ROLLS PER PLANE FOR .500" TUBING	3.15" 80MM	.500" 12,7MM	5	18.00" 457,2MM	23LBS 10,4KG
448578-04	CL-625-5-1P-S, U-GR-.625" DIA.	DESIGNED WITH AN ALUMINUM BASE WITH HANDLES AND 5 STAINLESS STEEL ROLLS PER PLANE FOR .625" TUBING	3.15" 80MM	.625" 15,87MM	5	18.00" 457,2MM	23LBS 10,4KG
448578-05	CL-750-5-1P-S, U-GR-.750" DIA.	DESIGNED WITH AN ALUMINUM BASE WITH HANDLES AND 5 STAINLESS STEEL ROLLS PER PLANE FOR .750" TUBING	3.15" 80MM	.750" 19,05MM	5	18.00" 457,2MM	23LBS 10,4KG
886580-01	CL-52-7-1P, U-GR-.250" DIA.	DESIGNED WITH AN ALUMINUM BASE WITH HANDLES AND 7 STAINLESS STEEL ROLLS PER PLANE FOR .250" TUBING	2.05" 52MM	.250" 6,35MM	7	10.24" 260,1MM	10LBS 4,55KG
448356-00	CL-52-7-1P, U-GR-.375" DIA.	DESIGNED WITH AN ALUMINUM BASE WITH HANDLES AND 7 STAINLESS STEEL ROLLS PER PLANE FOR .375" TUBING	2.05" 52MM	.375" 9,35MM	7	10.24" 260,1MM	10LBS 4,55KG
448578-08	CL-500-7-1P-S, U-GR-.500" DIA.	DESIGNED WITH AN ALUMINUM BASE WITH HANDLES AND 7 STAINLESS STEEL ROLLS PER PLANE FOR .500" TUBING	3.15" 80MM	.500" 12,7MM	7	18.00" 457,2MM	28LBS 12,7KG
448578-09	CL-625-7-1P-S, U-GR-.625" DIA.	DESIGNED WITH AN ALUMINUM BASE WITH HANDLES AND 7 STAINLESS STEEL ROLLS PER PLANE FOR .625" TUBING	3.15" 80MM	.625" 15,87MM	7	18.00" 457,2MM	28LBS 12,7KG
448578-10	CL-750-7-1P-S, U-GR-.750" DIA.	DESIGNED WITH AN ALUMINUM BASE WITH HANDLES AND 7 STAINLESS STEEL ROLLS PER PLANE FOR .750" TUBING	3.15" 80MM	.750" 19,05MM	7	18.00" 457,2MM	28LBS 12,7KG

Narrowline wire straighteners are slim, single plane units designed to fit into multiple wire process lines that are closely spaced. Individual straightener units available in left or right hand versions with 5 or 7 straightener rolls for wire diameters from 1,5 mm to 6,0 mm. The economical units can be staggered to achieve minimum wire spacing for simple wire straightening tasks or for the production of wires in wire mesh or strand plating or annealing lines.



- Compact and narrow straightener unit for use in a single plane
- Opening and closing of the straightener unit via quick-release levers is standard
- Standard straightener rolls have V-grooves; optional groove profiles upon request
- Grooved rolls feature precision ball bearings greased for long life
- Good straightening precision even with only 5 straightener rolls or better straightening precision with 7 straightener rolls

► MEASUREMENTS



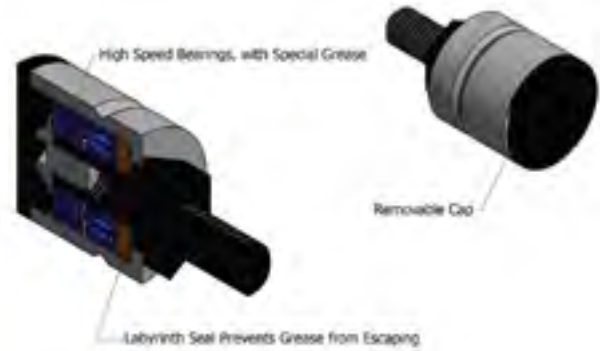
SPEC	NL 507 U	NL 507	NL 507-7	NL 245	NL 245M	NL 245-7
A	143 mm	143 mm	183 mm	236 mm	236 mm	290 mm
B	117,5 mm	117,5 mm	157 mm	204 mm	153 mm	258 mm
C	51 mm	51 mm	51 mm	70 mm	70 mm	70 mm
D DIA.	32 mm	32 mm	32 mm	47 mm	47 mm	47 mm
E	149 mm	149 mm	149 mm	266 mm	257 mm	266 mm
F	10 mm	11 mm	11 mm	13 mm	9.1 mm	13 mm
G	26 mm	33 mm	33 mm	33,3 mm	26 mm	33,3 mm
H	36 mm	48 mm	48 mm	52 mm	43.3 mm	52 mm
I	.38"-16THD	.38"-16THD	.38"-16THD	.50"-13THD	M 12	.50"-13THD
J	28,5 mm	36,5 mm	36,5 mm	38 mm	30 mm	36,5 mm

► TECHNICAL SPECIFICATIONS

PART # RIGHT HAND MODEL	MODEL	STRAIGHTENER ROLLS DIAMETER D	WIRE DIAMETER RANGE	NUMBER OF STRAIGHTENER ROLLS BELOW	NUMBER OF ADJUSTABLE STRAIGHTENER ROLLS ABOVE	MINIMUM WIRE SPACING
338532-00	NL 507U	32 mm	1,5 - 3,0 mm	3	2	28,5 mm
338503-00	NL 507	32 mm	1,5 - 3,0 mm	3	2	36,5 mm
447809-00	NL 245	47 mm	3,0 - 6,0 mm	3	2	38 mm
338503-01	NL 507-7	32 mm	1,5 - 3,0 mm	4	3	36,5 mm
447809-03	NL 245-7	47 mm	3,0 - 6,0 mm	4	3	38 mm

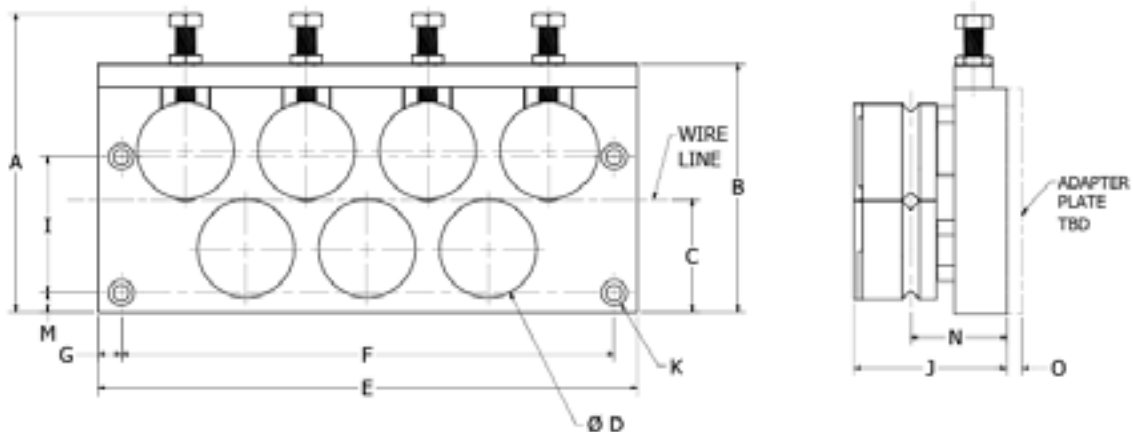


Simple, cost-effective, single-piece wire straightener designed specifically for dead block coiler applications.



DESCRIPTION

- Improve life expectancy, productivity and efficiencies.
- Based on our highly successful LD Series of straighteners, we have developed a lightweight aluminum wire straightener which provides a simple and cost-effective solution, while maintaining a high level of rigidity.
- Engineered design enhances the life of the rolls through a specially designed seal that maintains the high-speed grease within the bearings.
- The custom high speed bearings and labyrinth seal were specifically developed to resist centrifugal forces of a Dead Block, while processing wire at speeds up to 40m/second.
- Our grooved rolls are easily interchangeable for simply replacement.
- Roll designs are available with either Vee-Groove or Radius Groove profiles.



TECHNICAL SPECIFICATIONS

STRAIGHTENER ROLL DIAMETER	NUMBER OF STRAIGHTENER ROLLS	A	B	C	D	E	F	G	I	J	K	M	N	O	WEIGHT
35 mm	7	125 mm	92 mm	43 mm	35 mm	200 mm	181 mm	9,5 mm	50 mm	66 mm	6,5 mm	8 mm	44 mm	TBD	6.8lbs. 3,1kg
40 mm	7	130 mm	102 mm	46 mm	40 mm	222 mm	203 mm	9,5 mm	55,5 mm	63 mm	6,5 mm	8 mm	40 mm	TBD	10.5lbs. 4,8kg

DEAD BLOCK STRAIGHTENER | Application Data Sheet

COMPANY: **CONTACT NAME:**.....
ADDRESS: **TITLE:**
..... **EMAIL:**
..... **PHONE:** **FAX:**

APPLICATION DESCRIPTION: (Please specify O.E.M./Retrofit. Describe physical/special conditions.)
.....
.....
.....

- TYPE OF PROCESS -

MATERIAL:

SPECIAL MATERIAL CHARACTERISTICS (i.e. Coatings, Temperature):

TENSILE/YIELD STRENGTH: mPa KPSI **WIRE DIAMETER SIZE:** **PROCESS LINE SPEED:** m/min ft/min

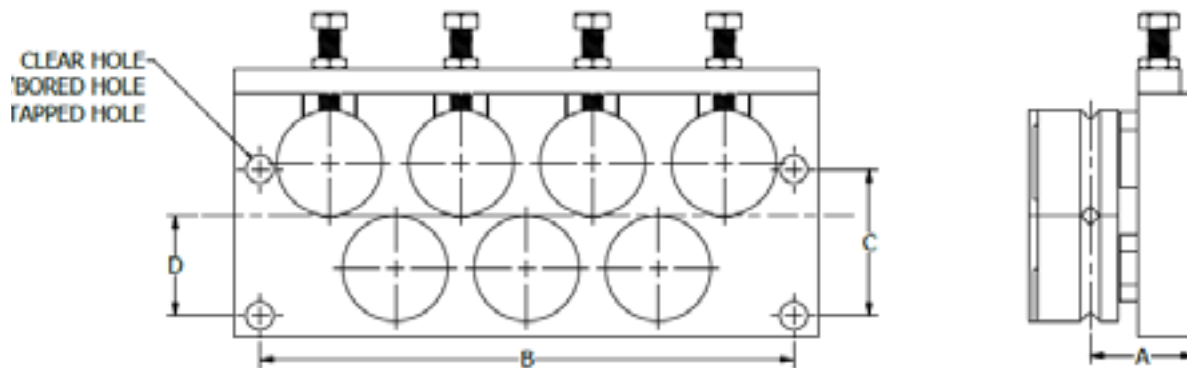
PREFERRED GROOVE STYLE VEE Radius

PREFERRED MOUNTING:

A Dimension:
B Dimension:
C Dimension:
D Dimension:

SELECT TYPE OF HOLE REQUIRED:

Clear Hole:
C' Bored Hole:
Tapped Hole:



Q 1. How do I determine what style puller is best for my equipment?

A 1. There are several variables you should consider when selecting a wedge grip:

- Operator Preference, speak with the operator:
 - What style is the operator currently using?
 - What does the operator like/dislike?
- Wire/Die—Pull Data
 - Pointed wire diameter/pointed wire diameter range
 - Maximum die-pull (see Q.2. below)
 - Wire tensile strength
 - % reduction area (see K Factor — % Reduction Table below)
 - Wire toughness or hardness
 - Type of drawing block hookup
 - Length of puller assembly needed

Once you've gathered the data above, you can follow the guidelines below to select from the three styles Sjogren offers. Please do not hesitate to contact Sjogren's Engineering team if you have any questions, **508-987-3206** or sales@sjogren.com.

STYLE/DESCRIPTION	FEATURES	TYPICAL APPLICATIONS
MORGAN-STYLE Robust, investment cast grip with capacities up to 1" diameter and 40,000 lbs. of pull.	<ul style="list-style-type: none"> • Simple spring loading to operate jaws simultaneously • Elliptically designed spring seat to mount grip to standard lifting chain • Heavy-duty construction to allow high die pull • Optional clevis to enable tangent die pull • Simple jaw design, easily replaced without tools • Additional hook-up options are available 	Wire-drawing machines with a link chain and connected to the drawing block with an oblong link slipped over a post at the top of the block.

STYLE/DESCRIPTION	FEATURES	TYPICAL APPLICATIONS
VAUGHN-STYLE Robust, investment cast grip with capacities up to 1 1/4" diameter and 50,000 lbs. of pull.	<ul style="list-style-type: none"> • One piece casting to make it lightweight • Quick-release hook to release tension quickly from puller • Simple jaw design, easily replaced without tools • Additional hook-up options are available 	Wire-drawing machines with a leafstyle chain and a quick-release hook assembly for releasing tension after the pull. Larger sizes use link chain and oblong link hooks. NOTE: Vaughn style quick-release hooks must be used with Vaughn style blocks.

STYLE/DESCRIPTION	FEATURES	TYPICAL APPLICATIONS
SLEEPER & HARTLEY-STYLE Machined-tooled grip with capacities up to 1 1/2" diameter and 10,000 lbs. of pull	<ul style="list-style-type: none"> • Simple attachment to standard roller chain makes it economical • Optional thumb release for single hand operation • Simple jaw design, easily replaced without tools • Additional hook-up options are available 	Uses a roller chain and a pin-type hook that fits into a radial hole in the drawing block. Thumb-release pullers are used to ease loading and unloading of the wire grip. Pulling the back latch retracts the jaws into the body and holds them open. Units are completely interchangeable with standard S&H grip heads.

STYLE/DESCRIPTION	FEATURES	TYPICAL APPLICATIONS
SJOGREN DOG SERIES Machined-tooled versatile grip with clevis or handle design with capacities up to 1/2" (12.7 mm) diameter and 13,000 lbs. (6200 kg) of pull	<ul style="list-style-type: none"> • Ergonomic handle allows single hand loading and unloading of wire • Pivoting head reduces breakage • Puller feet designed for ideal Capstan positioning 	Uses Roller or Safety Chain with Pin Type Hooks. Thumb Release Mechanism used for easy loading and unloading of wire grip.

ACCESSORIES

STYLE/DESCRIPTION	FEATURES	TYPICAL APPLICATIONS
SPRING LOADED SAFETY CHAIN Designed to enhance an operator's safety by tensioning the puller assembly while stringing up the drawing block. Eliminates the need for the operator to hold the assembly in place during start-up.	<ul style="list-style-type: none"> Standard length chain with a master link for each end to connect to the puller and hook, and any additional accessories desired Brass wear pads fastened to the bent links of chain which contact the drawing block 	Used when block marking is a problem, when operator safety is a concern and/or when you have less than 10,000 lbs. of die pull.
ALUMINUM SHOES Mount to the bottom of the puller bodies; present a soft, wearable surface to minimize marking of the drawing block.	<ul style="list-style-type: none"> Easy to attach and replace Affixed with strong adhesive Economical 	Used when block marking is a problem.
THUMB-RELEASE PULLER ASSEMBLIES Allow the jaws to be retracted for easier insertion of the wire. Are available in the S&H series up to 1/2" diameter capacity.	<ul style="list-style-type: none"> Simple attachment to standard roller chain makes it economical Thumb release for single hand operation Additional hook-up options are available 	Uses a roller chain and a pin-type hook that fits into a radial hole in the drawing block. Thumb-release pullers are used to ease loading and unloading of the wire grip. Pulling the back latch retracts the jaws into the body and holds them open. Units are completely interchangeable with standard S&H grip heads.
CLEVIS-STYLE ATTACHMENTS For tangential wire pull.	<ul style="list-style-type: none"> Utilizes standard Morgan-style grip head Chain attachment to suit customer application Included with Sjogren Dog Series 	Reduces pressure on wire and minimizes wire breakage and jaw wear. Designed for use with up to 40,000 lbs. of die pull.

Q 2. How do I calculate die-pull?

A 2. Die-Pull Calculation:¹

$$P = 43.56d^2 \times SK:$$

P = die pull in pounds

d = diameter after drawing in inches (in)

S = tensile strength before draft, in pounds per square inch (PSI)

K = factor which varies with the percentage reduction as shown in K Factor - % Reduction Table on right

Q 3. How do I know if I need standard or special jaws?

A 3. It depends on the material you're working with.

K FACTOR - % REDUCTION TABLE ²			
% Reduction	K	% Reduction	K
10	.0054	26	.0115
11	.0058	27	.0118
12	.0066	28	.0120
13	.0070	29	.0121
14	.0072	30	.0124
15	.0081	31	.0129
16	.0082	32	.0134
17	.0084	33	.0139
18	.0090	34	.0146
19	.0092	35	.0150
20	.0097	36	.0155
21	.0102		
22	.0104		
23	.0107		
24	.0110		
25	.0112		

% REDUCTION=100

$$\frac{1 \text{ DIAMETER AFTER DIE}^2}{\text{DIAMETER BEFORE DIE}^2}$$

Standard puller assemblies are supplied with jaws of the proper size tooth pattern to match the wire-diameter range for medium and low carbon steel and non-ferrous material. Special jaws with straight or diagonal teeth, and finer than the standard tooth pattern, can be supplied for harder, tougher materials that allow limited penetration.

¹ Die-Pull Calculation from Steel Wire Handbook, Volume 1, The Wire Association, page 235

² K Factor - % Reduction Table from Steel Wire Handbook, Volume 1, The Wire Association, page 236



The Sjogren Puller 6.35 mm series is compatible with wire diameters ranging from .06" - .25" / 1.5 mm - 6.3 mm, and a pull rating of 5,000 lbs. / 2273 kg.

The 12.7 mm series .19"- .50" / 4.83-12.7 mm, and a pull rating of 13,680 lbs/6182 kg

DESCRIPTION

- The ergonomic handle allows the operator to hold the puller securely with one hand while easily inserting wire with the other hand, even when wearing heavy gloves.
- Pivoting head reduces breakage by allowing both in-line pull from the die box as well as tangential pull on the capstan. Eliminates need for separate clevis assembly.
- Upper jaw is retracted using slide plate, then locks in open position to allow a free hand for wire insertion. Jaw is closed using a one-touch release mechanism.
- Puller feet are designed for ideal positioning on capstan, and can be fitted with brass shoes to further reduce damage to capstan surface.
- The Sjogren Puller jaws provide double the working life: they are tooled with two work surfaces so they can perform once in upper position and once in lower position
- The jaws have two working surfaces: they can be swapped between upper and lower position to provide double the working life before requiring replacement

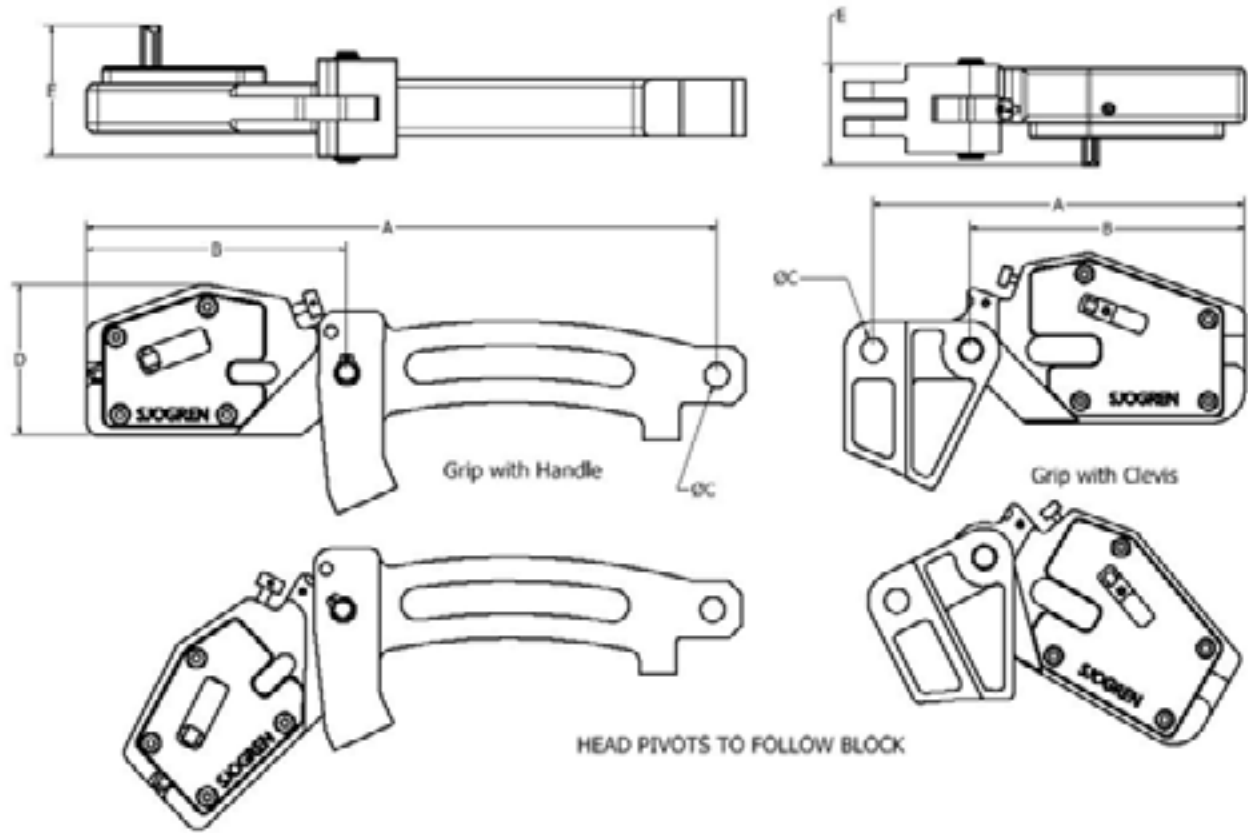
PART NO.	DESCRIPTION	MAX. POINTED SIZE	MIN. WIRE SIZE	SKETCH DIMENSIONS					MAX PULL (LBS.) (KGS)	WEIGHT (LBS.) (KGS)
				A	B	C	D	E"		
448287-00	SD-6.35MM Grip w/ Handle - CCW	.250" 6,35 mm	.062" 1,57 mm	9.7" 246 mm	4.0" 102 mm	.38" 9,7 mm	2.3" 59 mm	2.1" 53 mm	5,000 lbs 2268 kg.	4 lbs. 1.77 kg
448287-01	SD-6.35MM Grip w/ Handle - CW	.250" 6,35 mm	.062" 1,57 mm	9.7" 246 mm	4.0" 102 mm	.38" 9,7 mm	2.3" 59 mm	2.1" 53 mm	5,000 lbs 2268 kg.	4 lbs. 1.77 kg
448287-02	SD-6.35MM Grip w/ Clevis - CCW	.250" 6,35 mm	.062" 1,57 mm	5.6" 142 mm	4.0" 102 mm	.38" 9,7 mm	2.3" 59 mm	2.1" 53 mm	5,000 lbs 2268 kg.	3.3 lbs. 1.5 kg
448287-05	SD-6.35MM Grip w/ Clevis - CW	.250" 6,35 mm	.062" 1,57 mm	5.6" 142 mm	4.0" 102 mm	.38" 9,7 mm	2.3" 59 mm	2.1" 53 mm	5,000 lbs 2268 kg.	3.3 lbs. 1.5 kg
448328-00	SD-12.7MM Grip w/ Handle - CCW	.500" 12,7 mm	.190" 4,83 mm	11.9" 302 mm	5.6" 143 mm	.51" 12,8 mm	3.5" 88 mm	2.2" 55 mm	13,600 lbs. 6182 kg	8.1 lbs. 3.68 kg
448328-01	SD-12.7MM Grip w/ Handle - CW	.500" 12,7 mm	.190" 4,83 mm	11.9" 302 mm	5.6" 143 mm	.51" 12,8 mm	3.5" 88 mm	2.2" 55 mm	13,600 lbs. 6182 kg	8.1 lbs. 3.68 kg
448328-04	SD-12.7MM Grip w/ Clevis - CCW	.500" 12,7 mm	.190" 4,83 mm	7.4" 187 mm	5.6" 143 mm	.51" 12,8 mm	3.5" 88 mm	2.2" 55 mm	13,600 lbs. 6182 kg	7.23 lbs. 3.29 kg
448328-05	SD-12.7MM Grip w/ Clevis - CW	.500" 12,7 mm	.190" 4,83 mm	7.4" 187 mm	5.6" 143 mm	.51" 12,8 mm	3.5" 88 mm	2.2" 55 mm	13,600 lbs. 6182 kg	7.23 lbs. 3.29 kg

NOTE: CCW = counter clockwise direction

NOTE: CW = clockwise direction

STANDARD RECOMMENDED ASSEMBLIES

PART NO.	DESCRIPTION	ASSEMBLY EXTENDED LENGTH
886551-24	SD 6.35MM - CCW includes Grip, Handle, #80 Safety Chain, RC-1 Hook	29.7" 754 mm
886551-25	SD 6.35MM - CW includes Grip, Handle, #100 Safety Chain, RC-2 Hook	44" 1118 mm
886574-06	SD 12.7MM - CCW includes Grip, Handle, #140 Safety Chain, RC-2 Hook	48.5" 1231 mm
886574-07	SD 12.7MM - CW includes Grip, Handle, BL1044 Leaf Chain, RC-2 Hook	49" 1245 mm



▶ SD REPLACEMENT PARTS

▶ SPRINGS



▶ JAWS



PART NO.	FITS GRIP HEAD
LC-026D-11M	SD6.35 mm - Sliding Jaw
LC-042G-09M	SD12.7 mm - Sliding Jaw
106103-29	SD6.35 mm & SD12.7 mm - Fixed Jaw

PART NO.	FITS GRIP HEAD
228424-00	SD6.35 mm 25 TPI S/C - 2 Required
228483-00	SD12.7 mm 25 TPI S/C - 2 Required

▶ PULLERS RECOMMENDED PRODUCT MAINTENANCE SCHEDULE

JAW TYPE	MATERIAL	FREQUENCY
SJOGREN DOG	Low Carbon	9 Months
	Medium Carbon	6 Months
	High Carbon	3 Months
	Non-Ferrous	12-18 Months



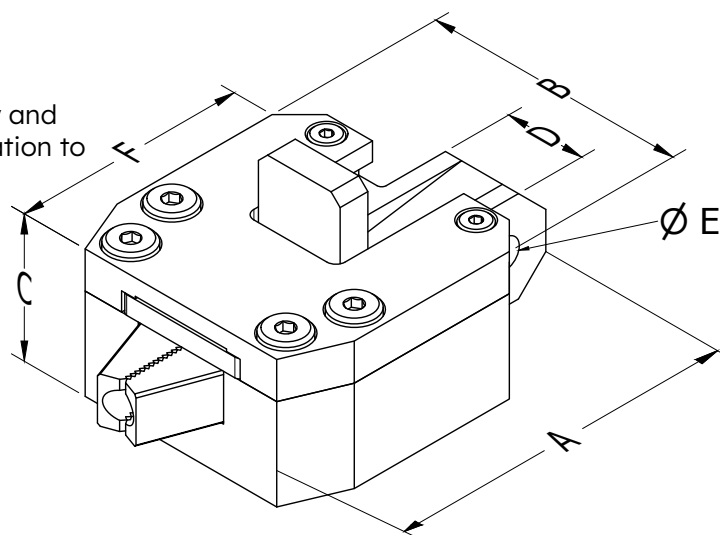
Fully compatible with Sleeper-Hartley style puller assemblies common across the industry, the Thumb Release puller is a product designed by and only available from Sjogren.

Like many of the innovations Sjogren has introduced, it was inspired by the practical realities that affect efficiency, productivity, and safety on the factory floor.

DESCRIPTION

- Jaws can be easily replaced using a hex key wrench; compatible with a wide range of Sleeper-Hartley style puller chains or assemblies
- Thumb release lever opens

both jaws simultaneously and allows one-handed operation to simplify wire insertion



TECHNICAL SPECIFICATIONS

PART NO.	GRIP HEAD MODEL	MAX. POINTED SIZE	MIN. WIRE SIZE	MAX PULL (LBS.) (KGS)	SKETCH DIMENSIONS						WEIGHT (LBS.) (KGS)
					A	B	C	D	DIA "E"	F	
338393-00	SH #1 TR	.156" 4,0 mm	.0625" 1,6 mm	2,000 lbs 907,2 kg	2.5" 63,50 mm	1.75" 44,45 mm	.88" 22,23 mm	.38" 9,53 mm	.25" 6,35 mm	1.94" 49,21 mm	.75 lbs 0,3 kg
338550-00	SH #2 TR	.203" 5,2 mm	.125" 3,2 mm	3,000 lbs 1360,8 kg	2.75" 69,85 mm	2.00" 50,80 mm	1.13" 28,58 mm	.50" 12,70 mm	.25" 6,35 mm	2.13" 53,98 mm	1.25 lbs 0,6 kg
339046-00	SH #2A TR	.217" 5,5 mm	.028" 0,7 mm	3,000 lbs 1360,8 kg	2.75" 69,85 mm	2.00" 50,80 mm	1.13" 28,58 mm	.88" 22,23 mm	.32" 8,20 mm	2.13" 53,98 mm	1.5 lbs 2,2 kg
338322-00	SH #3 TR	.375" 9,5 mm	.0937" 2,4 mm	7500 lbs 3402 kg	3.38" 85,73 mm	2.38" 60,33 mm	1.25" 31,75 mm	0.81" 20,64 mm	0.31" 7,94 mm	2.50" 63,50 mm	1.75 lbs 0,8 kg
338548-00	SH #4 TR	.5" 12,7 mm	.25" 6,4 mm	10,000 lbs 4536 kg	4.50" 114,30 mm	3.25" 82,55 mm	1.75" 44,45 mm	1.0" 25,40 mm	0.38" 9,53 mm	3.25" 82,55 mm	4.75 lbs 2,2 kg
339060-00	SH #5 TR	.625" 15,9 mm	.3125" 7,9 mm	13,600 lbs 6169 kg	4.75" 120,65 mm	3.50" 88,90 mm	1.75" 44,45 mm	1.49" 37,846 mm	0.52" 13,11 mm	3.50" 88,90 mm	5 lbs 2,2 kg
339083-00	SH #6 TR	.75" 19,0 mm	.5" 12,7 mm	13,600 lbs 6169 kg	6.25" 158,75 mm	4.50" 114,30mm	1.94" 49,21 mm	1.50" 38,10 mm	0.57" 14,35 mm	4.63" 117,48 mm	8,625 lbs 3,91 kg



The SH Wire Puller accommodates wire diameters up to .5"/12,7mm-diameter and 10,000 lbs/4550kgs of pull, and is fully compatible with Sleeper-Hartley style puller block assemblies.

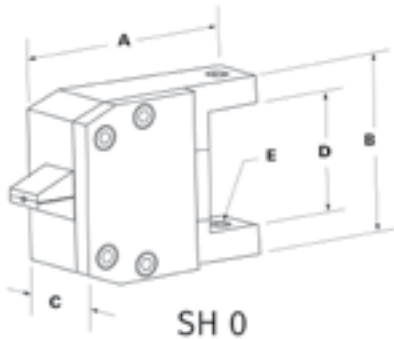
The easily replaced puller jaws are available in multiple tooth patterns appropriate to the material used in your operation.

DESCRIPTION

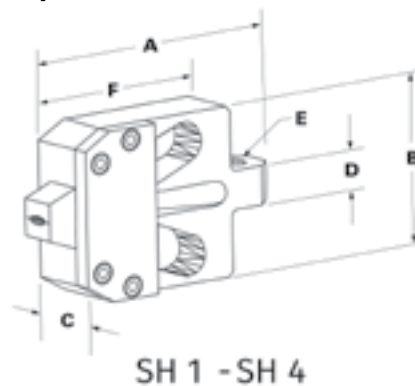
- Light duty puller grips for wire up to 12,7 mm diameter
- For maximum pulling force up to 10,000 lbs
- Can be combined with chain and puller hook
- Easy opening with single hand operation
- Simple jaw replacement even without tools
- Components available as spare parts
- Also available with lever actuation (TR)

MEASUREMENTS

Grip Style A



Grip Style B

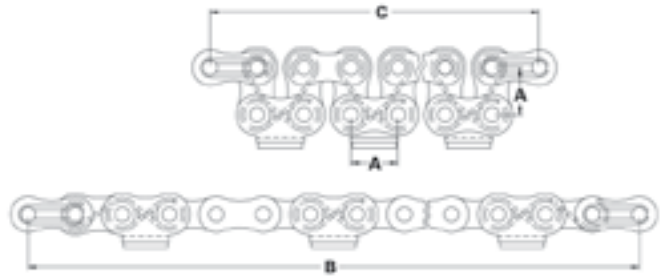


TECHNICAL SPECIFICATIONS

GRIP STYLE	PART NO. *	GRIP HEAD NO.	MAX. POINTED SIZE	MIN. WIRE SIZE	MAX PULL (LBS.)	SKETCH DIMENSIONS						WEIGHT (LBS.) (KG)	REPLACES SH MODEL
						A	B	C	D	DIA "E"	F		
A	300628-02	SH #0	.078" 1,9 mm	N/A	1,500 680 kg	1.88" 47,63 mm	1.50" 38,10 mm	0.81" 20,64 mm	1.00" 25,40 mm	0.19" 4,76 mm	N/A	.5 lb 0,2 kg	SH 443-0
B	300510-02	SH #1	.156" 4,0 mm	.062" 1,6 mm	2,000 907 kg	2.50" 63,50 mm	1.75" 44,45 mm	0.81" 20,64 mm	0.38" 9,53 mm	0.22" 5,56 mm	1.94" 49,21 mm	.5 lb 0,2 kg	SH 443-1
	301393-02	SH #2	.203" 5,2 mm	.125" 3,2 mm	3,000 1360 kg	2.75" 69,85 mm	2.00" 50,80 mm	0.94" 23,81 mm	0.50" 12,70 mm	0.22" 5,56 mm	2.13" 53,98 mm	1 lb 0,5 kg	SH 443-2
	301394-02	SH #3	.375" 9,5 mm	.093" 2,4 mm	7,500 3402 kg	3.38" 85,73 mm	2.38" 60,33 mm	1.00" 25,40 mm	0.81" 20,64 mm	0.31" 7,94 mm	2.50" 63,50 mm	1.5 lb 0,7 kg	SH 443-3
	304255-02	SH #4	.5" 12,7 mm	.25" 6,4 mm	10,000 4536 kg	4.50" 114,30 mm	3.25" 82,55 mm	1.50" 38,10 mm	1.00" 25,40 mm	0.39" 9,92 mm	3.25" 82,55 mm	3.25 lb 1,5 kg	SH 443-4

*Complete assembly, includes all components as shown above

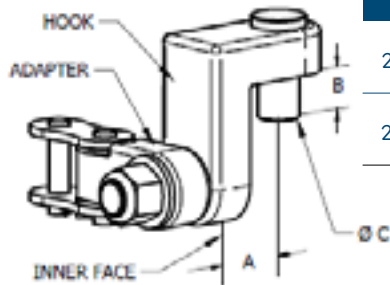
▶ CHAIN-SAFETY STYLE



PART NO.*	CHAIN SIZE	MAX DIE PULL (LBS.) (KGS)	PITCH LENGTH "A"	STD. LENGTH (EXTENDED) "B"	STD. LENGTH (COLLAPSED) "C"
447747-01	50	1,500 lbs 681,8 kg	.625" 15,87 mm	15.62" 396,75 mm	8.12" 206,25 mm
447614-04	80	3,000 lbs 1363,6 kg	1.00" 25,4 mm	17.00" 431,80 mm	9.00" 228,60 mm
447712-02	100	5,000 lbs 2272,7 kg	1.25" 31,75 mm	31.25" 539,75 mm	16.25" 412,75 mm
448355-01	140	10,000 lbs 4536,0 kg	1.75" 44,45 mm	33.25" 844,55 mm	19.25" 488,95 mm

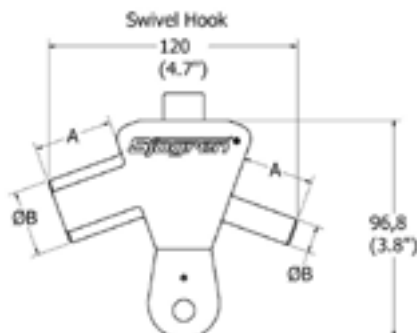
*Standard length chain includes a master link for each end for connection to wedge grip and hook.
Longer chain lengths available by adding spring sections—see chart below.

▶ TOP HOLE HOOK



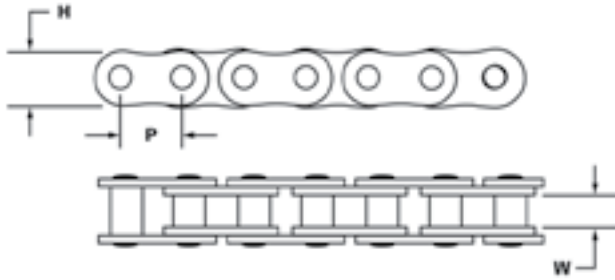
PART NUMBER	ADAPTER	CHAIN SIZE	PULL RATING	A	B	C	HOLE Ø IN BLOCK
228422-01	119639-01	80 & 100	3000 / 5000 lbs 1361 / 2268 kgs	1.17" 29.6 mm	.77" 19.6 mm	.768" 19.5 mm	.787" 20 mm
228422-03	119639-01	80 & 100	3000 / 5000 lbs 1361 / 2268 kgs	1.05" 26.6 mm	.87" 22.1 mm	.730" 18.5 mm	.747" 19 mm

▶ SWIVEL HOOK



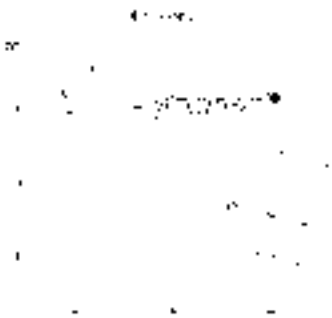
PART NO.	LENGTH "B" RANGE	Ø HOOK "A" RANGE
338986-xx	0.6-1.4" 15-35,5 mm	0.39-1.18" 10,0-30,0 mm

▶ CHAIN-ROLLER STYLE



SIZE	PITCH "P"	HEIGHT "H"	WIDTH "W"	MAX. PULL RATING (LBS.) (KGS)	WEIGHT (LBS.) (KG)
520	0.63" 15,88 mm	0.56" 14,29 mm	0.25" 6,35 mm	1,000 lbs 453,6 kg	.5 lbs 0,7 kg
50	0.63" 15,88 mm	0.56" 14,29 mm	0.38" 9,53 mm	1,500 lbs 680,4 kg	.75 lbs 1,1 kg
80	1.00" 25,40 mm	0.94" 23,81 mm	0.63" 15,88 mm	3,000 lbs 1360,8 kg	1.5 lbs 2,2 kg
100	1.25" 31,75 mm	1.13" 28,58 mm	0.75" 19,05 mm	5,000 lbs 2268 kg	2.5 lbs 3,7 kg
140	1.75" 44,45 mm	1.63" 41,28 mm	1.00" 25,40 mm	10,000 lbs 4536 kg	4.75 lbs 2,15 kg
160	2.00" 50,80 mm	2.00" 50,80 mm	1.25" 31,75 mm	13,000 lbs 5896,8 kg	6.25 lbs 2,83 kg

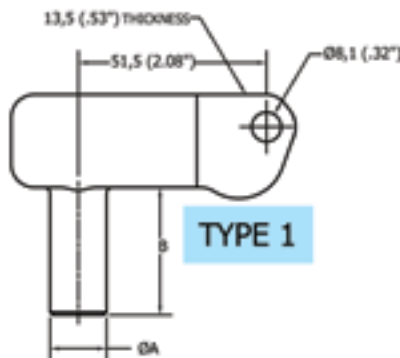
▶ S&H HOOKS



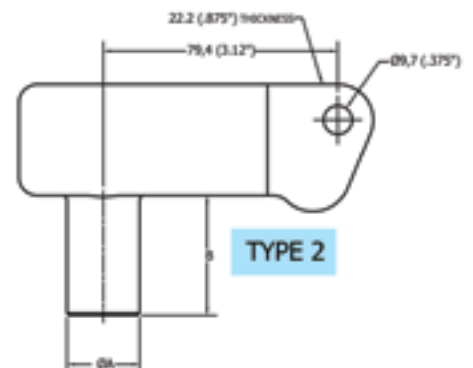
PART NO.	HOOK SIZE	LENGTH "A"	LENGTH "B"	DIAMETER "C"	PIN DIAMETER "D"	THICKNESS "E"	MAX. PULL RATING (LBS.) (KGS)	WEIGHT (LBS.) (KG)
107262-00	#1	1.94" 49,21 mm	1.88" 47,63 mm	0.44" 11,11 mm	0.22" 5,56 mm	0.38" 9,53 mm	3,000 lbs 1360,8 kg	.25 lbs 0,11 kg
107264-00	#2	2.63" 66,68 mm	2.00" 50,80 mm	0.56" 14,29 mm	0.22" 5,56 mm	0.50" 12,70 mm	5,000 lbs 2268 kg	.5 lbs 0,23 kg
206152-00	#3	3.25" 82,55 mm	2.25" 57,15 mm	0.63" 15,88 mm	0.33" 8,33 mm	0.75" 19,05 mm	8,000 lbs 3628,8 kg	.75 lbs 0,34 kg
204258-00	#4	3.75" 95,25 mm	3.13" 79,38 mm	0.88" 22,23 mm	0.39" 9,92 mm	1.00" 25,40 mm	15,000 lbs 6804 kg	1.5 lbs 0,68 kg
204258-23	#4	3.75" 95,25 mm	3.13" 79,38 mm	1.16" 29,5 mm	0.39" 9,92 mm	1.00" 25,40 mm	15,000 lbs 6804 kg	2 lbs 0,91 kg
204258-35	#4	3.75" 95,25 mm	3.13" 79,38 mm	0.77" 19,5 mm	0.39" 9,92 mm	1.00" 25,40 mm	15,000 lbs 6804 kg	1.75 lbs 0,79 kg

▶ RC HOOKS

BODY STYLE	PART NO.	Ø HOOK "A" RANGE	LENGTH "B" RANGE	MAX. PULL RATING (LBS.) (KGS)	WEIGHT (LBS.) (KG)
TYPE 1	228565-xx	.315" - .77" 8 mm-19,5 mm	1.38" - 1" 35 mm-25 mm	3,300 lbs 1497 kg	.56 lbs 0,3 kg
TYPE 2	339052-xx	1.160" - 0.768" 29,5 mm-19,5 mm	1" - 1.91" 25 mm-48,5 mm	10,000 lbs 4535 kg	2.2 lbs 1 kg



TYPE 1

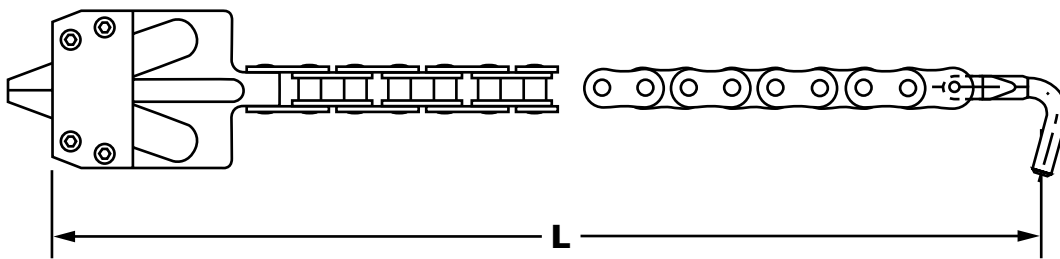


TYPE 2



▶ MEASUREMENTS

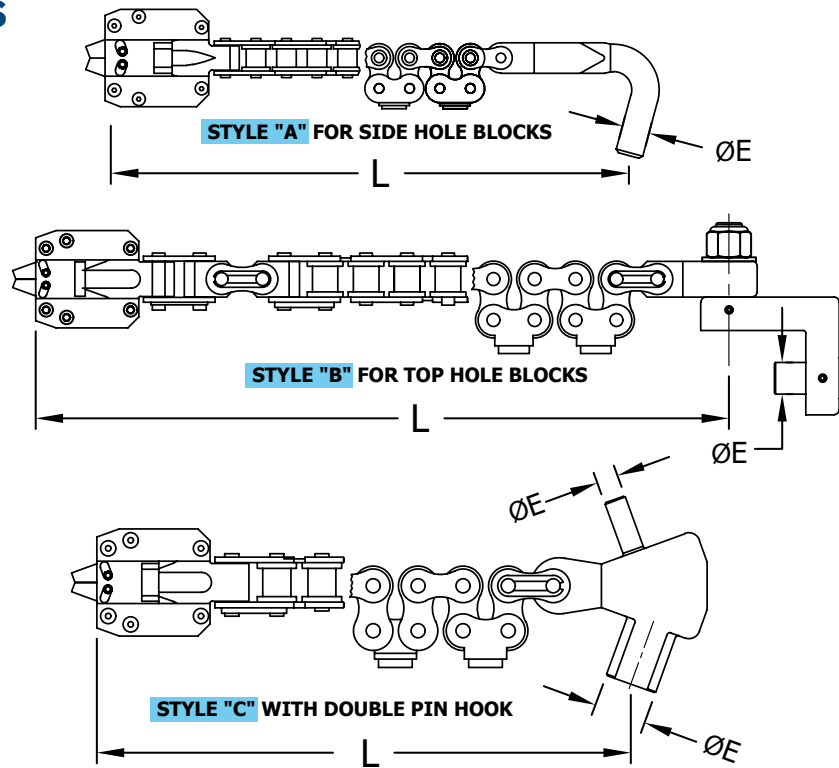
STYLE "B"



▶ STANDARD RECOMMENDED ASSEMBLIES

ASSEMBLY NO.	GRIP HEAD NO.	MAX. POINTED SIZE	MIN. WIRE SIZE	MAX. PULL (LBS.)	ASSEMBLY STYLE	CHAIN SIZE	HOOK SIZE	STANDARD LENGTH "L"	WEIGHT (LBS.) (KG)
227419-00	SH #0	.078" 1,9 mm	N/A	700	B	520	S&H #1	18.25" 463,55 mm	1.5 lbs 0,7 kg
300510-01	SH #1	.156" 3,9 mm	.0625" 1,6 mm	1,000	B	520	S&H #1	19.75" 501,65 mm	1.5 lbs 0,7 kg
301393-01	SH #2	.203" 5,2 mm	.125" 3,2 mm	1,500	B	50	S&H #2	20.75" 527,05 mm	2.5 lbs 1,1 kg
301394-01	SH #3	.375" 9,5 mm	.093" 2,4 mm	3,000	B	80	S&H #3	23.13" 587,38 mm	4.5 lbs 2,0 kg
304255-01	SH #4	.5" 12,7 mm	.25" 6,3 mm	5,000	B	100	S&H #4	39.00" 990,60 mm	11.25 lbs 5,1 kg

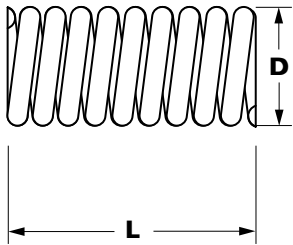
► MEASUREMENTS



► STANDARD RECOMMENDED ASSEMBLIES

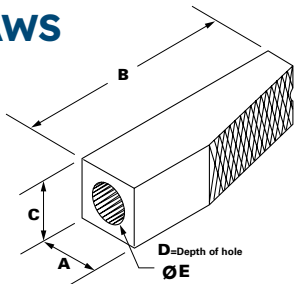
ASSEMBLY NO.	GRIP HEAD MODEL	MAX. POINTED SIZE	MIN. WIRE SIZE	MAX. PULL	ASSEMBLY STYLE	CHAIN SIZE	HOOK PIN DIAMETER "E"	EXTENDED LENGTH "L"	COLLAPSED LENGTH "L"	WEIGHT (LBS.) (KGS)
338393-04	SH#1-TR	.162" 4,1 mm	.062" 1,57 mm	1,400 lbs 636 kg	A	#50 Safety	.438" 11,1 mm	19.79" 503 mm	12.29" 312,2 mm	2.2 lb 1 kg
338393-19	SH#1-TR	.162" 4,1 mm	.062" 1,57 mm	1,400 lbs 636 kg	A	#50 Safety	1.165" 29,5 mm	23.85" 605,7 mm	16.35" 415,2 mm	4.4 lb 2 kg
338393-31	SH#1-TR	.162" 4,1 mm	.062" 1,57 mm	1,400 lbs 636 kg	A	#50 Safety	.625" 15,9 mm	22.85" 580,3 mm	15.35" 389,8 mm	3.0 lb 1.4 kg
338550-01	SH#2-TR	.207" 5,3 mm	.125" 3,18 mm	1,500 lbs 682 kg	A	#50 Safety	.56" 14,2 mm	20.72" 526,3 mm	13.22" 335,8 mm	3.0 lb 1.4 kg
338550-07	SH#2-TR	.207" 5,3 mm	.125" 3,18 mm	1,500 lbs 682 kg	A	#80 Safety	1.165" 29,5 mm	26.96" 684,8 mm	18.96" 481,6 mm	7.3 lb 3.3 kg
339046-01	SH#2A-TR	.217" 5,5 mm	.028" 0,7 mm	3,000 lbs 1364 kg	C	#80 Safety	1.165" & .472" 29,5 & 12 mm	21.0" 533 mm	13.0" 330 mm	6.5 lb 3 kg
338322-04	SH#3-TR	.375" 9,5 mm	.093" 2,36 mm	3,000 lbs 1364 kg	A	#80 Safety	.625" 15,9 mm	23.12" 587,2 mm	15.12" 384 mm	5.5 lb 2.5 kg
338322-27	SH#3-TR	.375" 9,5 mm	.093" 2,36 mm	5,000 lbs 2268 kg	A	#100 Safety	1.165" 29,5 mm	39.56" 1004,9 mm	24.56" 623,9 mm	11 lb 5 kg
886555-09	SH#3-TR	.375" 9,5 mm	.093" 2,36 mm	3,000 lbs 1364 kg	B	#80 Safety	.768" 19,5 mm	28.81" 731,8 mm	18.81" 447,8 mm	8.5 lb 3.9 kg
886555-10	SH#3-TR	.375" 9,5 mm	.093" 2,36 mm	5,000 lbs 2268 kg	B	#100 Safety	.768" 19,5 mm	41.44" 1052,5 mm	26.44" 671,5 mm	13 lb 5.9 kg
338322-45	SH#3-TR	.375" 9,5 mm	.093" 2,36 mm	3,000 lbs 1364 kg	A	#80 Safety	1.165" 29,5 mm	31.77" 806,9 mm	19.77" 502,1 mm	7.4 lb 3.4 kg
338322-67	SH#3-TR	.375" 9,5 mm	.093" 1,0 mm	3,000 lbs 1364 kg	C	#80 Safety	1.165" & .472" 29,5 & 12 mm	21.73" 552 mm	13.73" 349 mm	6.8 lb 3.1 kg
338548-01	SH#4-TR	.500" 12,7 mm	.250" 6,35 mm	5,000 lbs 2268 kg	A	#100 Safety	.880" 22,35 mm	38.94" 989 mm	23.94" 608 mm	12.3 lb 5.6 kg
338548-12	SH#4-TR	.500" 12,7 mm	.250" 6,35 mm	5,000 lbs 2268 kg	A	#100 Safety	1.165" 29,5 mm	38.94" 989 mm	23.94" 608 mm	13 lb 5.9 kg
338548-17	SH#4-TR	.500" 12,7 mm	.250" 6,35 mm	5,000 lbs 2268 kg	C	#100 Safety	1.165" & .472" 29,5 & 12 mm	36.91" 938 mm	21.91" 557 mm	13 lb 5.9 kg

▶ SPRINGS



Two springs required per grip head

▶ JAWS



PART NO.	FITS GRIP HEAD	OUTSIDE DIAMETER "D"	FREE LENGTH "L"	WIRE DIAMETER "D"	REPLACES S&H NO.
106110-00	SH #0	0.19" 4,76 mm	1.25" 31,75 mm	0.02" 0,40 mm	443-0-L
106110-01	SH #1	0.25" 6,35 mm	1.50" 38,10 mm	0.03" 0,79 mm	443-6-M
106110-02	SH #2	0.25" 6,35 mm	1.63" 41,28 mm	0.03" 0,79 mm	443-6-H
106110-03	SH #3	0.28" 7,14 mm	2.00" 50,80 mm	0.05" 1,19 mm	443-6-D
106110-04	SH #4	0.41" 10,32 mm	2.50" 63,50 mm	0.06" 1,59 mm	443-8-D

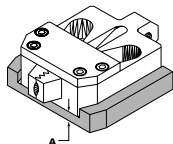
S&H-TR PART NO.	MODEL	"D"	"L"	"ø"
LC-026C-12M	SH #1 TR	0.23" 5,95 mm	1.50" 38,10 mm	0.03" 0,79 mm
106110-01	SH #2 TR	0.25" 6,35 mm	1.50" 38,10 mm	0.03" 0,79 mm
106110-05	SH #3 TR	0.30" 7,54 mm	2.00" 50,80 mm	0.03" 0,79 mm
106103-43	SH #4 TR	0.42" 10,72 mm	2.50" 63,50 mm	0.05" 1,19 mm

PART NO.	JAW MODEL	SKETCH DIMENSIONS (INCHES)					TEETH PER INCH (DIAMOND)*	REPLACES MODEL
		A	B	C	D	E		
106643-00	SH #0	0.31" 7,94 mm	0.88" 22,23 mm	0.38" 9,53 mm	0.19" 4,76 mm	0.19" 4,76 mm	25	443-0-H
106644-00	SH #1	0.44" 11,11 mm	1.19" 30,16 mm	0.44" 11,11 mm	0.38" 9,53 mm	0.27" 6,75 mm	25	443-6-L
106645-00	SH #2	0.50" 12,70 mm	1.31" 33,34 mm	0.50" 12,70 mm	0.38" 9,53 mm	0.27" 6,75 mm	16	443-6-Z
106646-01	SH #3	0.56" 14,29 mm	1.50" 38,10 mm	0.56" 14,29 mm	0.50" 12,70 mm	0.31" 7,94 mm	16	443-6-C
106647-00	SH #4	0.75" 19,05 mm	2.00" 50,80 mm	0.63" 15,88 mm	0.50" 12,70 mm	0.44" 11,11 mm	16	443-8-C

*Custom tooth patterns (diamond, straight and angled cuts in 25, 16 and 10 teeth per inch) available upon request

S&H-TR SET PART NO.	MODEL	A	B	C	D	Ø E	TEETH PER INCH DIAMOND
886233-00	SH #1 TR	0.44" 11,11 mm	1.19" 30,16 mm	0.44" 11,11 mm	0.38" 9,53 mm	0.27" 6,75 mm	25
886234-00	SH #2 TR	0.50" 12,70 mm	1.31" 33,34 mm	0.50" 12,70 mm	0.38" 9,53 mm	0.27" 6,75 mm	16
886235-00	SH #3 TR	0.56" 14,29 mm	1.50" 38,10 mm	0.56" 14,29 mm	0.50" 12,70 mm	0.31" 7,94 mm	16
886236-00	SH #4 TR	0.75" 19,05 mm	2.00" 50,80 mm	0.63" 15,88 mm	0.50" 12,70 mm	0.44" 11,11 mm	16

▶ ALUMINUM SHOE FOR S&H GRIPS



▶ PULLERS RECOMMENDED PRODUCT MAINTENANCE SCHEDULE

JAW TYPE	MATERIAL	FREQUENCY
S & H	Low Carbon	9 Months
	Medium Carbon	6 Months
	High Carbon	3 Months
	Non-Ferrous	12-18 Months

PART NO.	FITS GRIP HEAD	THICKNESS A
227431-00	SH #0	0.19" 4,76 mm
227432-00	SH #1	0.19" 4,76 mm
227433-00	SH #2	0.25" 6,35 mm
227169-00	SH #3	0.25" 6,35 mm
227185-00	SH #4	0.25" 6,35 mm

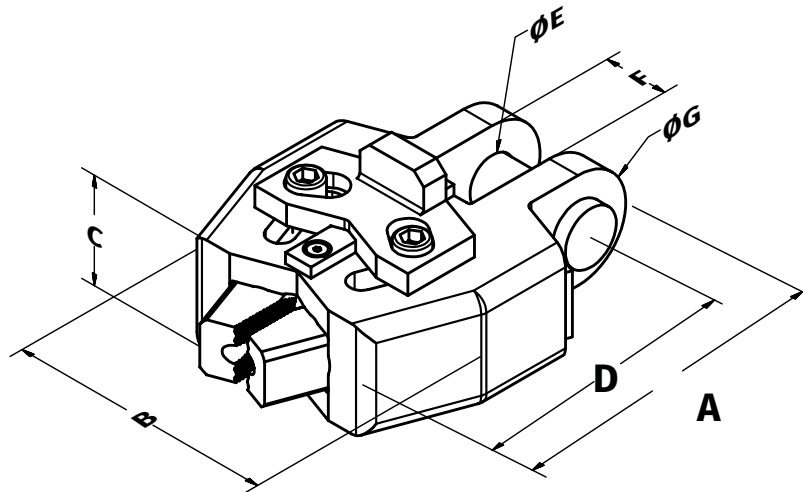


Fully compatible with Vaughn style puller assemblies common across the industry, the Thumb Release puller is a product designed by and only available from Sjogren.

Like many of the innovations Sjogren has introduced, it was inspired by the practical realities that affect efficiency, productivity, and safety on the factory floor.

► DESCRIPTION

- Jaws can be easily replaced using a hex key wrench; compatible with a wide range of Vaughn style puller chains or assemblies
- Thumb release lever opens both jaws simultaneously and allows one-handed operation to simplify wire insertion



PART NO.	GRIP HEAD MODEL	MAX. POINTED SIZE	MIN. WIRE SIZE	MAX PULL	SKETCH DIMENSIONS (INCHES / MM)							WEIGHT (LBS. / KGS)
					A	B	C	D	E	F	G	
306095-03	117-142D-TR	.75" 19,0 mm	.375" 9,5 mm	15,000 lbs 6803.8 kg	5.44" 138,2 mm	4.25" 108 mm	1.75" 44,5 mm	4.56" 115,8 mm	.625" 16 mm	0.81" 20,6 mm	2.13" 54,1 mm	6.5 lbs 2.94 kg
406712-28	117-96A-TR	1.000" 25,4 mm	0.625" 15,8 mm	30,000 lbs 13607.8 kg	5.68" 144,3 mm	4.63" 117,5 mm	1.88" 47,6 mm	4.75" 120,7 mm	.845" 21,4 mm	1.13" 28,6 mm	1.37" 34,8 mm	8.0 lbs 3.63 kg
407374-03	117-192A-TR	1.06" 27 mm	.750" 19,1 mm	55,000 lbs 24,948 kg	7.81" 198,4 mm	6.5" 165,1 mm	3" 76,2 mm	6.31" 160,3 mm	.15" 38,1 mm	1.5" 38,1 mm	3" 76,2 mm	7.5 lbs 3.4 kg

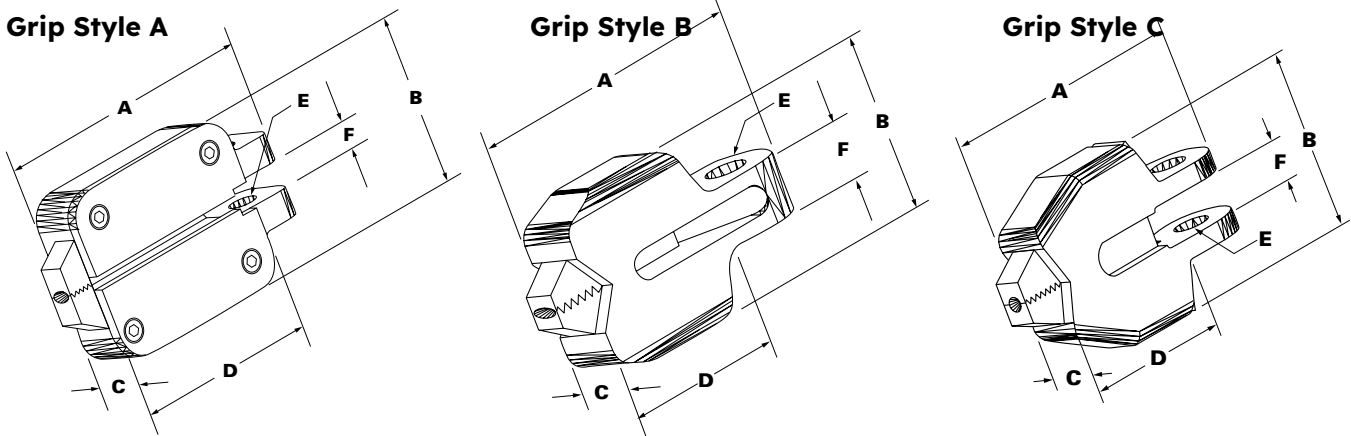


Designed to be rugged yet lightweight, Sjogren's Vaughn Wire Puller has the versatility to accept a wide range of wire diameters and pulling force. It is totally compatible as a replacement for Vaughn-style wire pullers/wedge grips, working with both leaf-style chains with quick release hook assemblies as well as link chain for heavier loads.

DESCRIPTION

- One-piece casting helps reduce overall puller weight, making the operator's work more efficient and less fatiguing
- Jaws can be easily replaced without special tools; replacement jaws are sold separately from puller if needed

MEASUREMENTS



**Complete assembly, includes all components as shown above

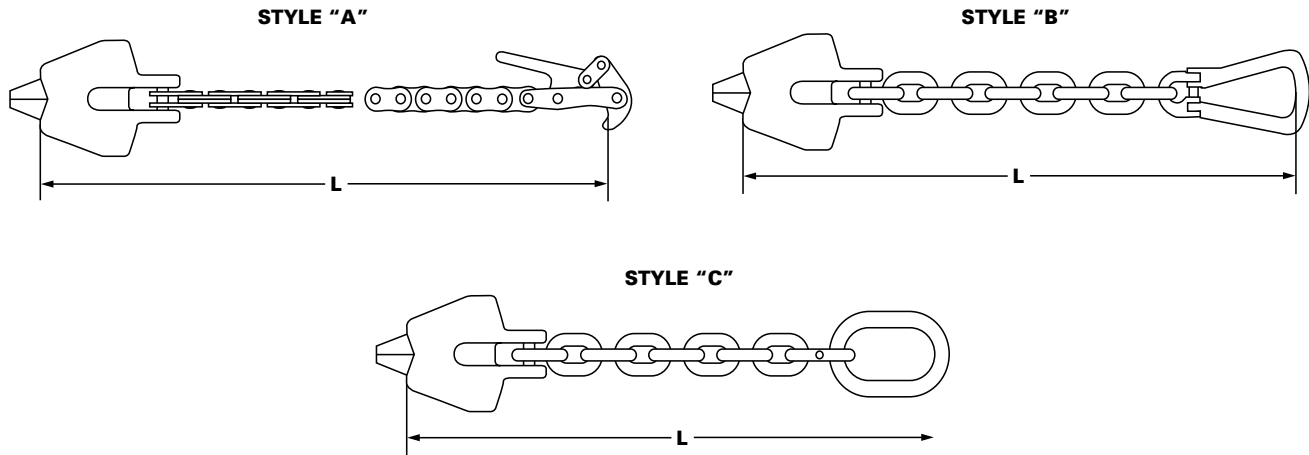
**Retaining screw in body to match slot in jaws

TECHNICAL SPECIFICATIONS

BODY STYLE	PART NO. *	GRIP HEAD NO.	MAX. POINTED SIZE	MIN. WIRE SIZE	MAX PULL (LBS.) (KGS)	SKETCH DIMENSIONS (INCHES)						WEIGHT (LBS.) (KGS)
						A	B	C	D	DIA "E"	F	
A	306092-02	117-142A	.125" 3,2 mm	—	1,000 lbs 455 kg	2.31" 58,74 mm	1.50" 38,10 mm	0.56" 14,29 mm	1.81" 46,04 mm	0.25" 6,35 mm	0.25" 6,35 mm	.375 lbs 0,2 kgs
B	306093-02	117-138A	.25" 6,4 mm	.062" 1,6 mm	8,000 lbs 3636 kg	3.00" 76,20 mm	2.00" 50,80 mm	0.75" 19,05 mm	1.81" 46,04 mm	0.44" 11,11 mm	0.63" 15,88 mm	.75 lbs 0,3 kg
C	306094-02	117-140A	.5" 12,7 mm	.187" 4,8 mm	10,000 lbs 4545 kg	3.75" 95,25 mm	2.94" 74,61 mm	1.00" 25,40 mm	2.38" 60,33 mm	0.56" 14,29 mm	0.63" 15,88 mm	1.5 lbs 0,7 kgs
	306095-02	117-142D	.75" 19,1 mm	.375" 9,5 mm	15,000 lbs 6818 kgs	5.44" 138,11 mm	4.25" 107,95 mm	1.75" 44,45 mm	3.81" 96,84 mm	0.63" 15,88 mm	0.81" 20,64 mm	6 lbs 2,7 kgs
	406712-02	117-96A	1.0" 25,4 mm	.625" 15,9 mm	30,000 lbs 13636 kgs	5.56" 141,29 mm	4.63" 117,48 mm	1.88" 47,63 mm	3.81" 96,84 mm	0.88" 22,23 mm	1.13" 28,58 mm	7.5 lbs 3,4 kgs
	306096-02	117-186C**	1.0" 25,4 mm	.625" 15,9 mm	30,000 lbs 13636 kgs	5.69" 144,46 mm	4.63" 117,48 mm	1.88" 47,63 mm	3.81" 96,84 mm	0.88" 22,23 mm	1.13" 28,58 mm	7.5 lbs 3,4 kgs
	407374-02	117-192A**	1.25" 31,8 mm	1.0" 25,4 mm	50,000 lbs 22727 kgs	7.81" 198,44 mm	6.50" 165,10 mm	3.00" 76,20 mm	4.50" 114,30 mm	1.50" 38,10 mm	1.50" 38,10 mm	24 lbs 10,9 kgs



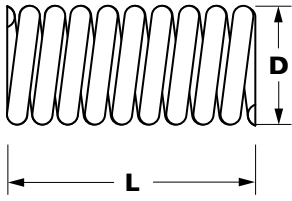
► MEASUREMENTS



► STANDARD RECOMMENDED ASSEMBLIES

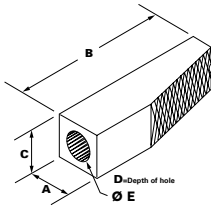
ASSY STYLE	ASSEMBLY NO.	GRIP HEAD NO.	MAX. POINTED SIZE	MIN. WIRE SIZE	MAX. PULL (LBS.) (KGS)	CHAIN STYLE	CHAIN SIZE	HOOK STYLE	HOOK SIZE	STANDARD LENGTH "L"	WEIGHT (LBS.) (KGS)	REPLACES VAUGHN MODEL
A	306092-01	117-142A	.125" 3,2 mm	N/A	1,000lbs 453,6 kg	LEAF	AL522	Quick-Release	Small	14.5"	1.25 lbs 0,6 kgs	117-123A
B	307956-00	117-142A	.125" 3,2 mm	N/A	1,000lbs 453,6 kgs	LINK	3/16	Reeveable	.25	13.25"	1.25 lbs 0,5 kgs	117-134B
A	306093-01	117-138A	.25" 6,4 mm	.062" 1,6 mm	5,000 lbs 2268 kgs	LEAF	BL822	Quick-Release	Large	19.375"	3.75 1,7 kgs	117-130A
A	307957-00	117-138A	.25" 6,4 mm	.062" 1,6 mm	2,000 lbs 907,2 kgs	LEAF	BL822	Quick-Release	Medium	19.375"	3.5 lbs 1,6 kgs	117-132B
A	306094-01	117-140A	.50" 12,7 mm	.187" 4,7 mm	8,000 lbs 3628,8 kgs	LEAF	BL1034	Quick-Release	Large	20.375"	4.5 lbs 2,0 kgs	117-129B
B	307958-00	117-140A	.50" 12,7 mm	.187" 4,7 mm	10,000lbs 453,6 kgs	LINK	1/2	Reeveable	.5	24.625"	6.5 lbs 2,9 kgs	117-129A
A	306095-01	117-142D	.75" 19,0 mm	.375" 9,5 mm	8,000 3628,8 kgs	LEAF	BL1034	Quick-Release	Large	22.5"	9.25 lbs 38,8 kgs	117-157A
B	307959-00	117-142D	.75" 19,0 mm	.375" 9,5 mm	15,000 lbs 6804 kgs	LINK	3/4	Reeveable	.75	36"	20 lbs 9,0 kgs	117-132A
C	406712-01	117-96A	1.0" 25,4 mm	.625" 15,9 mm	30,000 lb 13608 kg	LINK	7/8	Oblong	.87	38.25"	21.75 lbs 9,9 kgs	117-130B
C	306096-00	117-186C	1.0" 25,4 mm	.625" 15,9 mm	30,000 lb 13608 kg	LINK	7/8	Oblong	.87	38.25"	21.75 lbs 9,9 kgs	117-188A
C	407373-00	117-208A	1.125" 28,6 mm	.875" 22,2 mm	30,000 lb 13608 kg	LINK	7/8	Oblong	.87	26.125"	29.25 lbs 13,3 kgs	117-156B
C	407374-00	117-192A	1.25" 31,7 mm	1.0" 25,4 mm	40,000 lb 18144 kg	LINK	1	Oblong	1	31.5"	56 lbs 25,4 kgs	117-191A

▶ SPRINGS



Two springs required per Grip Head

▶ JAWS

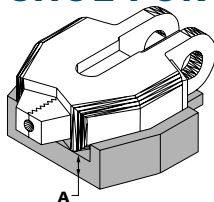


PART NO.	FITS GRIP HEAD	OUTSIDE DIAMETER "D"	FREE LENGTH "L"	REPLACES VAUGHN NO.
106103-29	117-142A	0.19" 4,76 mm	0.88" 22,23 mm	117-60E
106109-01	117-138A	0.34" 8,73 mm	0.94" 23,81 mm	117-34-5A-598
106109-03	117-140A	0.28" 7,14 mm	2.25" 57,14 mm	117-34-3A-415
106109-02	117-142D	0.50" 12,70 mm	3.13" 79,38 mm	117-34-3A-416
106109-05	117-96A	0.55" 13,89 mm	3.13" 79,38 mm	117-34-5A-646
106109-05	117-186C	0.55" 13,89 mm	3.13" 79,38 mm	117-34-5A-646
106109-05	117-208A	0.55" 13,89 mm	3.13" 79,38 mm	117-34-5A-646
106109-07	117-192A	0.81" 20,64 mm	3.50" 88,90 mm	117-34-10A-850

PART NO.	JAW MODEL	FITS GRIP HEAD	SKETCH DIMENSIONS (INCHES)					STANDARD DIAMOND	CUSTOM PATTERNS*	
			A	B	C	D	Ø E		DIAMOND	STRAIGHT
206061-01	117-136D	117-142A	0.25" 6,35 mm	0.88" 22,23 mm	0.25" 6,35 mm	N/A	N/A	25	16	N/A
206058-01	117-136A	117-138A	0.38" 9,53 mm	1.38" 34,93 mm	0.38" 9,53 mm	N/A	N/A	25	16	16, 25
206060-01	117-136C	117-140A	0.63" 15,88 mm	2.06" 52,39 mm	0.50" 12,70 mm	1.00" 25,40 mm	0.31" 7,94 mm	25	10, 16	10, 16, 25
206059-01	117-136B	117-142D	0.94" 23,81 mm	3.63" 92,08 mm	0.94" 23,81 mm	1.56" 39,69 mm	0.53" 13,49 mm	16	10	10, 16
206062-01	117-136E	117-96A	0.94" 23,81 mm	3.56" 90,49 mm	0.94" 23,81 mm	1.00" 25,40 mm	0.63" 15,88 mm	16	10	10, 16
206640-01	117-226B	117-186C	0.94" 23,81 mm	3.63" 92,08 mm	0.94" 23,81 mm	1.56" 39,69 mm	0.63" 15,88 mm	10	16	10
227150-00	117-208B	117-208A	1.25" 31,75 mm	3.88" 98,43 mm	1.25" 31,75 mm	1.00" 25,40 mm	0.63" 15,88 mm	10	N/A	16
206728-02	117-192B	117-192A	1.25" 31,75 mm	5.00" 127,00 mm	1.25" 31,75 mm	1.00" 25,40 mm	0.88" 22,23 mm	10	16	10, 16
206059-07	117-136B-S	117-142D-TR	0.94" 23,81 mm	3.63" 92,08 mm	0.94" 23,81 mm	1.56" 39,69 mm	0.53" 13,49 mm	16	10	10, 16
227965-08	117-136E-S	117-96A-TR	0.94" 23,81 mm	3.56" 90,49 mm	0.94" 23,81 mm	1.56" 39,69 mm	0.63" 15,88 mm	16	10	10, 16

*Other custom tooth patterns available upon request

▶ ALUMINUM SHOE FOR VAUGHN GRIPS



PART NO.	FITS GRIP HEAD	THICKNESS "A"
338298-00	117-142A	0.25" 6,35 mm
338299-00	117-138A	0.25" 6,35 mm
338300-00	117-140A	0.50" 12,70 mm
338125-00	117-142D/142D-TR	0.75" 19,05 mm
338301-00	117-96A /96A-TR	0.50" 12,70 mm
338302-00	117-186C	0.50" 12,70 mm
338303-00	117-208A	0.50" 12,70 mm
338297-00	117-192A	0.50" 12,70 mm

▶ PULLERS RECOMMENDED PRODUCT MAINTENANCE SCHEDULE

JAW TYPE	MATERIAL	FREQUENCY
VAUGHN	Low Carbon	9 Months
	Medium Carbon	6 Months
	High Carbon	3 Months
	Non-Ferrous	12-18 Months

PULLER | Application Data Sheet

COMPANY: **CONTACT NAME:**.....

ADDRESS: **TITLE:**

..... **EMAIL:**

..... **PHONE:** **FAX:**

APPLICATION DESCRIPTION: (Please specify O.E.M./Retrofit. Describe physical/special conditions.)

.....

.....

.....

MATERIAL: **HARDNESS:**

OPERATOR'S STYLE PREFERENCE:

- Morgan Vaughn
- S&H S&H T-R

TYPE OF MACHINE:

- Bullblock Inverted Bullblock
- Multiple Hole Drawing Machine
- Other

Block/Capstan Diameter mm in

Required Puller Assembly Length mm in

CHAIN STYLE:

- Link/Hoisting Leaf
- Roller Safety

CONNECTION TYPE:

- Round Hole Post
 - top mount
 - side mount
 - Key Slot
 - Vaughn Style
 - Other
- Preferred Hook

REQUIRED INFORMATION

1. Pointed Wire Diameter / Diameter Range mm in

2. Required Maximum Die Pull **OR** Tensile Strength mPa KPSI

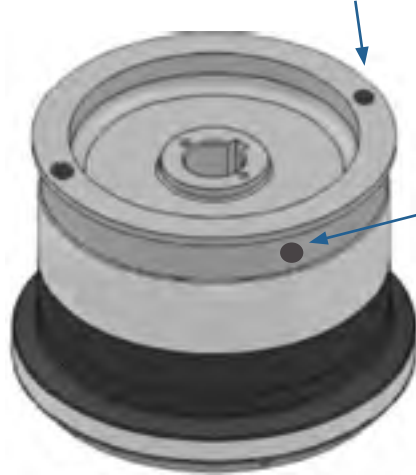
and 2 of the 3 items listed below:

Drawn Wire Diameter: mm in

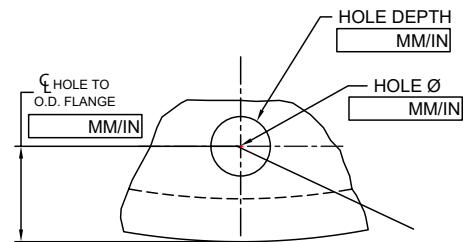
% Reduction mm in

Initial Wire Diameter mm in

HOOK HOLE ON TOP

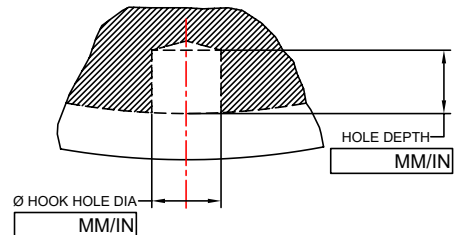


TOP HOLE HOOK SPECIFICATIONS



HOOK HOLE ON SIDE

SIDE HOLE HOOK SPECIFICATIONS

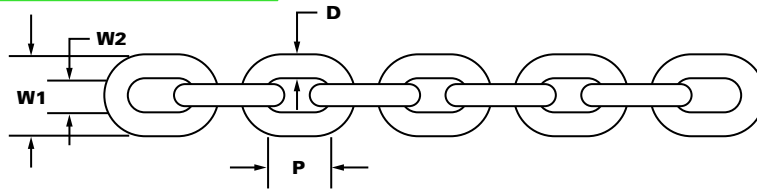


SALES@SJOGREN.COM

Providing wire tooling equipment since 1927
 982 Southbridge St. • Worcester, MA 01610 USA
 Tel 508-987-3206 • Fax 508-987-1965 • www.sjogren.com

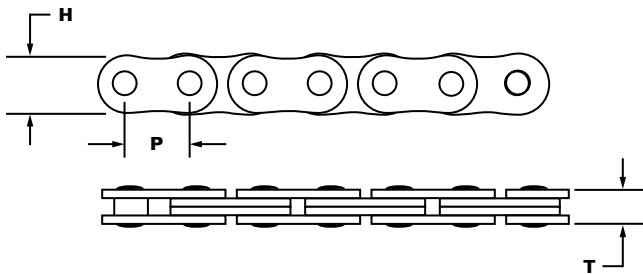


▶ CHAIN-LINK STYLE



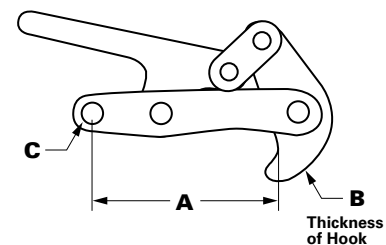
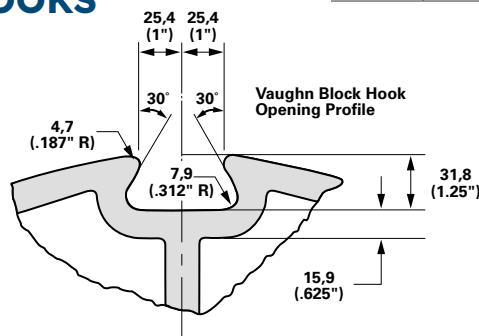
SIZE	PITCH "P"	DIAMETER "D"	WIDTH OUTSIDE "W1"	WIDTH INSIDE "W2"	MAX. PULL RATING (LBS.) (KG.)	WEIGHT/FT (LBS.) (KG)
3/16"	0.63" 15,88 mm	0.19" 4,76 mm	0.75" 19,05 mm	0.31" 7,94 mm	2,000 lbs 907,2 kg	.5 lbs 0,7 kg
1/4"	0.81" 20,64 mm	0.28" 7,14 mm	1.00" 25,40 mm	0.38" 9,53 mm	3,000 lbs 1360,8 kg	.75 lbs 1,1 kg
3/8"	1.19" 30,16 mm	0.38" 9,53 mm	1.44" 36,51 mm	0.50" 12,70 mm	6,000 lbs 2721,6 kg	1.5 lbs 2,2 kg
1/2"	1.50" 38,10 mm	0.50" 12,70 mm	1.81" 46,04 mm	0.69" 17,46 mm	10,000 lbs 4536,0 kg	2.5 lbs 3,7 kg
5/8"	1.88" 47,63 mm	0.63" 15,88 mm	2.25" 57,15 mm	0.88" 22,23 mm	15,000 lbs 6804,0 kg	4 lbs 6,0 kg
3/4"	2.25" 57,15 mm	0.75" 19,05 mm	2.63" 66,68 mm	1.00" 25,40 mm	25,000 lbs 11340,0 kg	5.5 lbs 8,2 kg
7/8"	2.50" 63,50 mm	0.88" 22,23 mm	3.13" 79,38 mm	1.19" 30,16 mm	30,000 lbs 13608,0 kg	7.5 lbs 11,2 kg
1"	3.00" 76,20 mm	1.00" 25,40 mm	3.63" 92,08 mm	1.38" 34,93 mm	40,000 lbs 18144,0 kg	10.25 lbs 15,3 kg
1 1/4"	3.75" 95,25 mm	1.25" 31,75 mm	4.50" 114,30 mm	1.69" 42,86 mm	60,000 lbs 27216,0 kg	15.5 lbs 23,1 kg

▶ CHAIN-LEAF STYLE



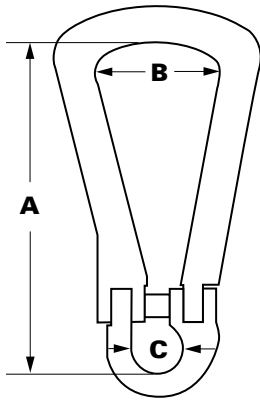
SIZE	PITCH "P"	HEIGHT "H"	THICKNESS "T"	MAX. PULL RATING (LBS.) (KG)	WEIGHT/ FT (LBS.) (KG)
AL-522	0.63" 15,88 mm	0.50" 12,70 mm	0.38" 9,53 mm	1,500 lbs 680,4 kg	.5 lbs 0,7 kg
BL-822	1.00" 25,40 mm	0.94" 23,81 mm	0.75" 19,05 mm	5,000 lbs 2268 kg	1.5 lbs 2,2 kg
BL-1034	1.25" 31,75 mm	1.13" 28,58 mm	1.38" 34,93 mm	10,000 lbs 4536,0 kg	4 lbs 6,0 kg
BL-1044	1.25" 31,75 mm	1.13" 28,58 mm	1.50" 38,10 mm	13,600 lbs 6168,85 kg	5 lbs 2,2 kg
BL-1046	1.25" 31,75 mm	1.13" 28,58 mm	2.00" 50,80 mm	13,600 lbs 6168,85 kg	6 lbs 2,7 kgs

▶ QUICK-RELEASE HOOKS



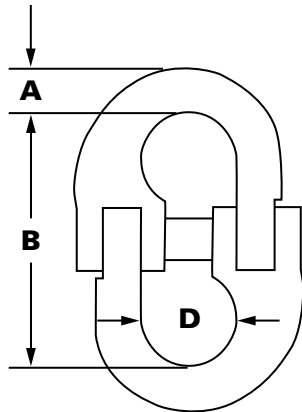
PART NO.	HOOK SIZE	LENGTH "A"	THICKNESS "B"	DIAMETER "C"	MAX. PULL RATING (LBS.) (KG)	WEIGHT/FT (LBS.) (KG)
206991-00	Small	2.50" 63,50 mm	0.38" 9,53 mm	0.20" 5,16 mm	1,000 lbs 453,6 kg	.5 lb 0,23 kg
206990-00	Large	3.88" 98,43 mm	0.50" 12,70 mm	0.44" 11,11 mm	8,000 lbs 3628,8 kg	1.25 lbs 0,57 kg

▶ REEVABLE MASTER



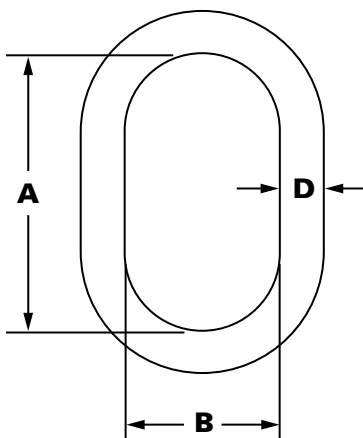
PART NO.	LINK SIZE	LENGTH "A"	WIDTH "B"	WIDTH "C"	MAX. PULL RATING (LBS.) (KG)	WEIGHT (LBS.)
227222-01	0.25" 6,35 mm	5.00" 127,00 mm	2.00" 50,80 mm	0.56" 14,29 mm	3,000 lbs 1360,8 kg	.5 lb 0,2 kg
227222-02	0.38" 9,53 mm	6.38" 161,93 mm	2.63" 66,68 mm	0.75" 19,05 mm	6,000 lbs 2721,6 kg	1.25 lbs 0,6 kg
227222-03	0.50" 12,70 mm	7.38" 187,33 mm	2.88" 73,03 mm	0.94" 23,81 mm	10,000 lbs 4536,0 kg	2 lbs 0,9 kg
227222-04	0.63" 15,88 mm	9.00" 228,60 mm	3.25" 82,55 mm	1.25" 31,75 mm	15,000 lbs 6804,0 kg	3.5 lbs 1,6 kg
227222-05	0.75" 19,05 mm	10.38" 263,53 mm	4.13" 104,78 mm	1.38" 34,93 mm	25,000 lbs 11340,0 kg	5.75 lbs 2,6 kg

▶ HAMMERLOCK COUPLING



PART NO.	LINK SIZE	DIAMETER "A"	LENGTH "B"	DIAMETER "D"	MAX. PULL RATING (LBS.) (KG)	WEIGHT (LBS.) (KG)
227223-02	0.25" 6,35 mm	0.31" 7,94 mm	1.81" 46,04 mm	0.50" 12,70 mm	3,000 lbs 1360,8 kg	.25 lbs 0,1 kg
227223-03	0.38" 9,53 mm	0.44" 11,11 mm	2.81" 71,44 mm	0.81" 20,64 mm	6,000 lbs 2721,6 kg	.5 lbs 0,2 kg
227223-04	0.50" 12,70 mm	0.63" 15,88 mm	3.38" 85,73 mm	1.25" 31,75 mm	10,000 lbs 4536,0 kg	1.25 lbs 0,6 kg
227223-05	0.63" 15,88 mm	0.75" 19,05 mm	4.06" 103,19 mm	1.50" 38,10 mm	15,000 lbs 6804,0 kg	2.25 lbs 1,0 kg
227223-06	0.75" 19,05 mm	0.88" 22,23 mm	4.81" 122,24 mm	1.81" 46,04 mm	25,000 lbs 11340,0 kg	3.5 lbs 1,6 kg
227223-07	0.88" 22,23 mm	1.00" 25,40 mm	5.44" 138,11 mm	2.13" 53,98 mm	30,000 lbs 13608,0 kg	6 lbs 2,7 kg
227223-08	1.00" 25,40 mm	1.25" 31,75 mm	5.75" 146,05 mm	2.19" 55,56 mm	40,000 lbs 18144,0 kg	8.5 lbs 3,9 kg
227223-09	1.25" 31,75 mm	1.50" 38,10 mm	7.19" 182,56 mm	2.81" 71,44 mm	60,000 lbs 27216,0 kg	15.5 lbs 7,0 kg

▶ OBLONG MASTER



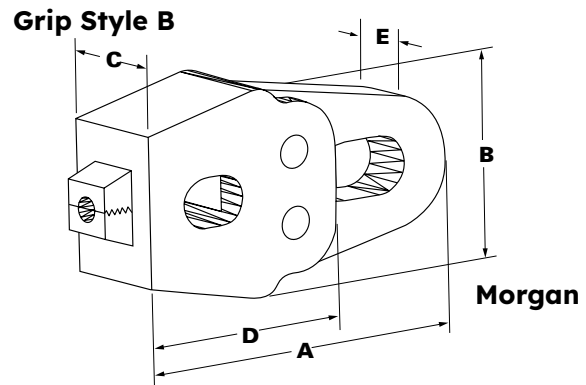
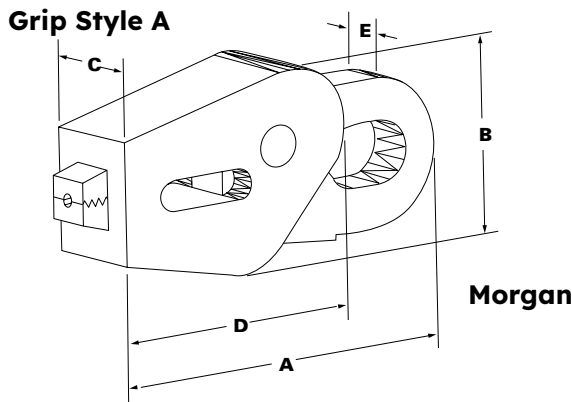
PART NO.	LINK SIZE	LENGTH "A"	WIDTH "B"	DIAMETER "D"	MAX. PULL RATING (LBS.) (KG)	WEIGHT (LBS.) (KG)
119082-01	0.25" 6,35 mm	1.50" 38,10 mm	0.88" 22,23 mm	0.38" 9,53 mm	3,000 lbs 1360,8 kg	.25 lbs 0,1 kg
119082-02	0.38" 9,53 mm	2.00" 50,80 mm	1.25" 31,75 mm	0.50" 12,70 mm	6,000 lbs 2721,6 kg	.5 lbs 0,2 kg
119082-03	0.50" 12,70 mm	2.50" 63,50 mm	1.50" 38,10 mm	0.69" 17,46 mm	10,000 lbs 4536,0 kg	1 lbs 0,5 kg
119082-04	0.63" 15,88 mm	3.00" 76,20 mm	1.75" 44,45 mm	0.81" 20,64 mm	15,000 lbs 6804,0 kg	1.5 lbs 0,7 kg
119082-05	0.75" 19,05 mm	3.50" 88,90 mm	2.00" 50,80 mm	0.94" 23,81 mm	25,000 lbs 11340,0 kg	2.5 lbs 1,1 kg
119082-06	0.88" 22,23 mm	4.00" 101,60 mm	2.25" 57,15 mm	1.06" 26,99 mm	30,000 lbs 13608,0 kg	3.25 lbs 1,5 kg
119082-07	1.00" 25,40 mm	5.25" 133,35 mm	3.00" 76,20 mm	1.25" 31,75 mm	40,000 lbs 18144,0 kg	6 lbs 2,7 kg
119082-08	1.25" 31,75 mm	6.25" 158,75 mm	3.50" 88,90 mm	1.50" 38,10 mm	60,000 lbs 27216,0 kg	9 lbs 4,1 kg



DESCRIPTION

- Heavy duty puller grips for wire up to 25,4 mm diameter
- For maximum pulling force up to 18,181 kg
- Pullers design with single internal spring
- Simple connection to standard link chain
- Different hook systems are available
- Simple jaw replacement even without tools
- Components available as spare parts

MEASUREMENTS



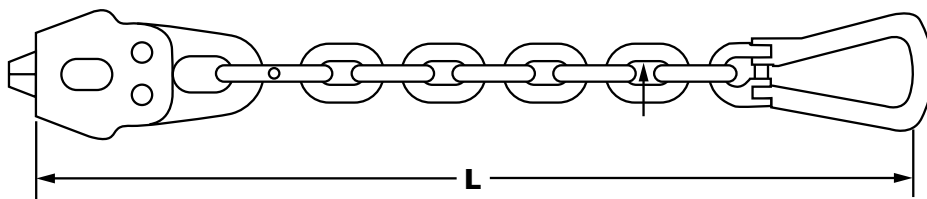
TECHNICAL SPECIFICATIONS

GRIP STYLE	PART NO. *	GRIP HEAD MODEL	MAX. POINTED SIZE	MIN. WIRE SIZE	MAX PULL (LBS.)(KG)	SKETCH DIMENSIONS (INCHES)					WEIGHT (LBS.) (KG)
						A	B	C	D	E	
A	306033-02	B-20072	.125" 3,2 mm	—	1,500 lbs 681,8 kg	6.50 165,10 mm	2.19" 55,56 mm	1.13" 28,58 mm	3.00" 76,20 mm	0.44" 11,11 mm	1.5 lbs 0,7 kg
	306036-02	B-30251	.25" 6,4 mm	.062" 1,6 mm	2,500 lbs 1136,4 kg	4.75" 120,65 mm	2.25" 57,15 mm	1.25" 31,75 mm	3.13" 79,38 mm	0.56" 14,29 mm	2 lbs 0,9 kg
B	306039-02	B-30423	.375" 9,5 mm	.187" 4,8 mm	8,000 lbs 3636,4 kg	5.63" 142,88 mm	3.25" 82,55 mm	1.75" 44,45 mm	3.38" 85,73 mm	0.88" 22,23 mm	4.5 lbs 2,0 kg
	306046-02	B-74900	.5" 12,7 mm	.312" 7,9 mm	15,000 lbs 6818,2 kg	6.63" 168,28 mm	4.38" 111,13 mm	2.13" 53,98 mm	4.38" 111,13 mm	1.06" 26,99 mm	9 lbs 4,1 kg
	406029-01	B-74958	.625" 15,9 mm	.437" 11,1 mm	20,000 lbs 9090,9 kg	7.00" 177,80 mm	5.25" 133,35 mm	2.38" 60,33 mm	4.75" 120,65 mm	1.00" 25,40 mm	12.5 lbs 5,7 kg
	306057-02	B-74934	1.0" 25,4 mm	.562" 14,3 mm	40,000 lbs 18181,8 kg	9.50" 241,30 mm	6.63" 168,28 mm	3.50" 88,90 mm	6.13" 155,58 mm	1.25" 31,75 mm	30.5 lbs 13,9 kg

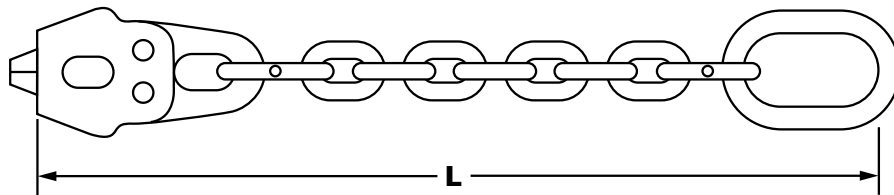


► MEASUREMENTS

STYLE "A"



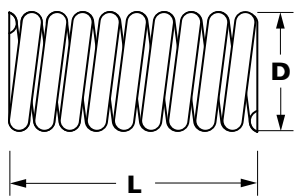
STYLE "B"



► STANDARD RECOMMENDED ASSEMBLIES

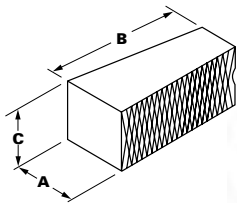
ASSEMBLY NO.	GRIP HEAD NO.	MAX. POINTED SIZE	MIN. WIRE SIZE	MAX. PULL (LBS.)	ASS'Y STYLE	CHAIN SIZE	HOOK STYLE	HOOK SIZE	STANDARD LENGTH "L"	WEIGHT (LBS.)
306033-01	B-20072	.125" 3,2 mm	N/A	1,500 lbs 681,8 kg	A	0.25" 6,35 mm	Reevable	0.25" 6,35 mm	19.25" 488,95 mm	3.25 lbs 1,5 kg
306036-01	B-30251	.25" 6,4 mm	.062" 1,6 mm	2,500 lbs 1136,4 kg	A	0.38" 9,53 mm	Reevable	0.38" 9,53 mm	22.50" 571,50 mm	6 lbs 2,7 kg
306039-01	B-30423	.375" 9,5 mm	.187" 4,8 mm	8,000 lbs 3636,4 kg	A	0.50" 12,70 mm	Reevable	0.50" 12,70 mm	28.00" 711,20 mm	10.75 lbs 4,88 kg
306046-01	B-74900	.5" 12,7 mm	.312" 7,9 mm	15,000 lbs 6818,2 kg	A	0.63" 15,88 mm	Reevable	0.63" 15,88 mm	30.25" 768,35 mm	19 lbs 8,62 kg
406029-02	B-74958	.625" 15,9 mm	.437" 11,1 mm	20,000 lbs 9090,9 kg	A	0.75" 19,05 mm	Reevable	0.75" 19,05 mm	35.00" 889,00 mm	29 lbs 13,15 kg
306057-01	B-74934	1.0" 25,4 mm	.562" 14,3 mm	40,000 lbs 18181,8 kg	B	1.00" 25,40 mm	Oblong	1.00" 25,40 mm	36.50" 927,10 mm	57.5 lbs 25,85 kg

▶ SPRINGS



One spring required per grip head assembly.

▶ JAWS

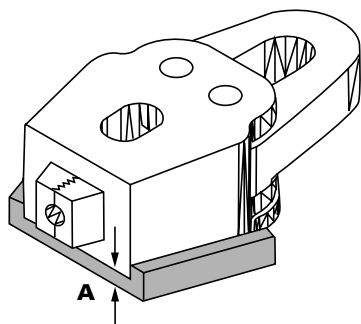


PART NO.	FITS GRIP HEAD	OUTSIDE DIAMETER "D"	FREE LENGTH "L"	REPLACES MORGAN NO.
106103-01	B-20072	0.38" 9,53 mm	1.56" 39,69 mm	478-1
106103-02	B-30251	0.47" 11,91 mm	2.00" 50,80 mm	478-2
106103-47	B-30423	0.66" 16,67 mm	2.25" 57,15 mm	478-3
106103-47	B-30425	0.66" 16,67 mm	2.25" 57,15 mm	478-3
106103-04	B-74900	0.91" 23,02 mm	2.50" 63,50 mm	478-4
106103-04	B-74958	0.91" 23,02 mm	2.50" 63,50 mm	478-4
106103-05	B-74934	1.50" 38,10 mm	4.38" 111,13 mm	478-5

*Custom tooth patterns available upon request

PART NO.	JAW MODEL	SKETCH DIMENSIONS			TEETH PER INCH		
		A	B	C	STANDARD	CUSTOM PATTERNS*	
					DIAMOND	DIAMOND	STRAIGHT
106626-01	B-20072	0.53" 13,49 mm	1.13" 28,58 mm	0.50" 12,70 mm	16	25	N/A
106626-02	B-30251	0.53" 13,49 mm	1.13" 28,58 mm	0.56" 14,29 mm	16	10, 25	10, 16
106626-07	B-30423	0.81" 20,64 mm	1.38" 34,93 mm	0.88" 22,23 mm	16	10	16
106626-03	B-30425	0.81" 20,64 mm	1.38" 34,93 mm	0.81" 20,64 mm	16	10	10
106626-04	B-74900	0.94" 23,81 mm	1.75" 44,45 mm	1.13" 28,58 mm	10	N/A	10, 16
106626-05	B-74958	1.13" 28,58 mm	1.94" 49,21 mm	1.13" 28,58 mm	10	N/A	10, 16
106626-06	B-74934	1.38" 34,93 mm	2.50" 63,50 mm	1.88" 47,63 mm	10	N/A	10

▶ ALUMINUM SHOE FOR MORGAN GRIPS

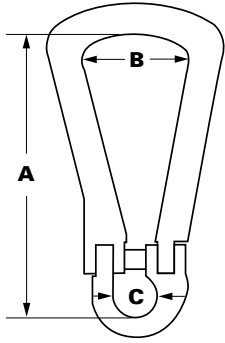


PART NO.	FITS GRIP HEAD	THICKNESS "A"
227434-00	B-20072	.187" 3,17 mm
227435-00	B-30251	.187" 3,17 mm
338294-00	B-30423	.25" 6,35 mm
338296-00	B-74900	.25" 6,35 mm
338094-00	B-74958	.25" 6,35 mm
338297-00	B-74934	.25" 6,35 mm

▶ PULLERS RECOMMENDED PRODUCT MAINTENANCE SCHEDULE

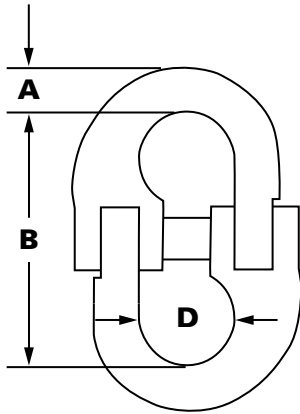
JAW TYPE	MATERIAL	FREQUENCY
MORGAN	Low Carbon	9 Months
	Medium Carbon	6 Months
	High Carbon	3 Months
	Non-Ferrous	12-18 Months

▶ REEVABLE MASTER



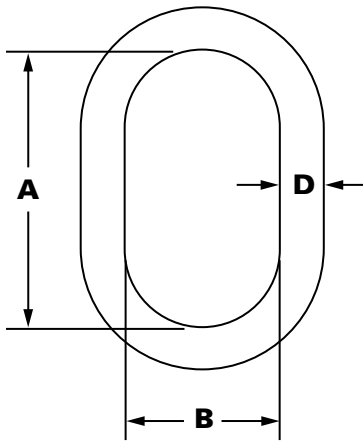
PART NO.	LINK SIZE	LENGTH "A"	WIDTH "B"	WIDTH "C"	MAX. PULL RATING (LBS.) (KG)	WEIGHT (LBS.) (KG)
227222-01	0.25" 6,35 mm	5.00" 127,00 mm	2.00" 50,80 mm	0.56" 14,29 mm	3,000 lbs 1360,8 kg	.5 lb 0,2 kg
227222-02	0.38" 9,53 mm	6.38" 161,93 mm	2.63" 66,68 mm	0.75" 19,05 mm	6,000 lbs 2721,6 kg	1.25 lbs 0,6 kg
227222-03	0.50" 12,70 mm	7.38" 187,33 mm	2.88" 73,03 mm	0.94" 23,81 mm	10,000 lbs 4536,0 kg	2 lbs 0,9 kg
227222-04	0.63" 15,88 mm	9.00" 228,60 mm	3.25" 82,55 mm	1.25" 31,75 mm	15,000 lbs 6804,0 kg	3.5 lbs 1,6 kg
227222-05	0.75" 19,05 mm	10.38" 263,53 mm	4.13" 104,78 mm	1.38" 34,93 mm	25,000 lbs 11340,0 kg	5.75 lbs 2,6 kg

▶ HAMMERLOCK COUPLING



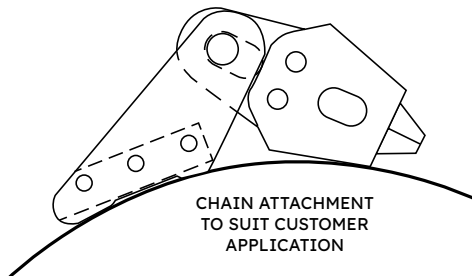
PART NO.	LINK SIZE	DIAMETER "A"	LENGTH "B"	DIAMETER "D"	MAX. PULL RATING (LBS.) (KG)	WEIGHT (LBS.) (KG)
227223-02	0.25" 6,35 mm	0.31" 7,94 mm	1.81" 46,04 mm	0.50" 12,70 mm	3,000 lbs 1360,8 kg	.25 lbs 0,1 kg
227223-03	0.38" 9,53 mm	0.44" 11,11 mm	2.81" 71,44 mm	0.81" 20,64 mm	6,000 lbs 2721,6 kg	.5 lbs 0,2 kg
227223-04	0.50" 12,70 mm	0.63" 15,88 mm	3.38" 85,73 mm	1.25" 31,75 mm	10,000 lbs 4536,0 kg	1.25 lbs 0,6 kg
227223-05	0.63" 15,88 mm	0.75" 19,05 mm	4.06" 103,19 mm	1.50" 38,10 mm	15,000 lbs 6804,0 kg	2.25 lbs 1,0 kg
227223-06	0.75" 19,05 mm	0.88" 22,23 mm	4.81" 122,24 mm	1.81" 46,04 mm	25,000 lbs 11340,0 kg	3.5 lbs 1,6 kg
227223-07	0.88" 22,23 mm	1.00" 25,40 mm	5.44" 138,11 mm	2.13" 53,98 mm	30,000 lbs 13608,0 kg	6 lbs 2,7 kg
227223-08	1.00" 25,40 mm	1.25" 31,75 mm	5.75" 146,05 mm	2.19" 55,56 mm	40,000 lbs 18144,0 kg	8.5 lbs 3,9 kg
227223-09	1.25" 31,75 mm	1.50" 38,10 mm	7.19" 182,56 mm	2.81" 71,44 mm	60,000 lbs 27216,0 kg	15.5 lbs 7,0 kg

▶ OBLONG MASTER



PART NO.	LINK SIZE	LENGTH "A"	WIDTH "B"	DIAMETER "D"	MAX. PULL RATING (LBS.) (KG)	WEIGHT (LBS.) (KG)
119082-01	0.25" 6,35 mm	1.50" 38,10 mm	0.88" 22,23 mm	0.38" 9,53 mm	3,000 lbs 1360,8 kg	.25 lbs 0,1 kg
119082-02	0.38" 9,53 mm	2.00" 50,80 mm	1.25" 31,75 mm	0.50" 12,70 mm	6,000 lbs 2721,6 kg	.5 lbs 0,2 kg
119082-03	0.50" 12,70 mm	2.50" 63,50 mm	1.50" 38,10 mm	0.69" 17,46 mm	10,000 lbs 4536,0 kg	1 lbs 0,5 kg
119082-04	0.63" 15,88 mm	3.00" 76,20 mm	1.75" 44,45 mm	0.81" 20,64 mm	15,000 lbs 6804,0 kg	1.5 lbs 0,7 kg
119082-05	0.75" 19,05 mm	3.50" 88,90 mm	2.00" 50,80 mm	0.94" 23,81 mm	25,000 lbs 11340,0 kg	2.5 lbs 1,1 kg
119082-06	0.88" 22,23 mm	4.00" 101,60 mm	2.25" 57,15 mm	1.06" 26,99 mm	30,000 lbs 13608,0 kg	3.25 lbs 1,5 kg
119082-07	1.00" 25,40 mm	5.25" 133,35 mm	3.00" 76,20 mm	1.25" 31,75 mm	40,000 lbs 18144,0 kg	6 lbs 2,7 kg
119082-08	1.25" 31,75 mm	6.25" 158,75 mm	3.50" 88,90 mm	1.50" 38,10 mm	60,000 lbs 27216,0 kg	9 lbs 4,1 kg

▶ CLEVIS TYPE ASSEMBLY



PART NO.	REPLACES MODEL NO.	MAX. WIRE	MIN. WIRE	MAX. PULL RATING (LBS.) (KG)
338310-00	B-20072-C	.125" 3,17 mm	—	1,500 lbs 680,4 kg
338311-00	B-30251-C	.25" 6,35 mm	.062" 1,57 mm	2,500 lbs 1136,4 kg
306039-09	B-30423-C	.357" 9,5 mm	.187" 4,76 mm	8,000 lbs 3628,8 kg
338313-00	B-74900-C	.5" 12,7 mm	.312" 7,9 mm	15,000 lbs 6804,0 kg
447592-00	B-74958-C	.625" 15,8 mm	.437" 11,11 mm	20,000 lbs 9072,0 kg
447593-00	B-74934-C	1.0" 25,4 mm	.562" 14,2 mm	40,000 lbs 18144,0 kg

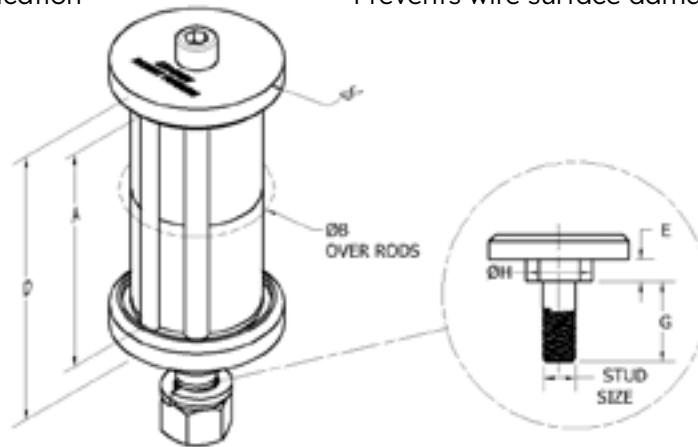


The Static Dancer Roll (patent pending) replaces the conventional dancer roller or tuner roller on a wire drawing machine. With the conventional roller, the combination of high heat, draw lube contamination, and general wear causes wire surface scratching, ball bearing seizure, and constant maintenance.

► DESCRIPTION

- Light weight
- No bearings, non-rotating
- High wear, low friction tungsten carbide rods
- Easily installed in any application
- Extremely long life with multiple wear surfaces
- Reduces maintenance cost
- Machine downtime is reduced significantly
- Prevents wire surface damage and scratching

► MEASUREMENTS



► TECHNICAL SPECIFICATIONS

PART NO.	A	B	ØC	D	E	G	ØH	STUD SIZE
228406-00	4" 101,6 mm	2.25" 57,2 mm	2.65" 67,3 mm	4.94" 125,5 mm	0.56" 142 mm	1.37" 34,8 mm	1.25" 31,8 mm	*M16
228406-01	8.00" 203,2 mm	2.25" 57,2 mm	2.65" 67,3 mm	8.94" 22,7 mm	.08" 2 mm	1.54" 39,1 mm	.98" 24,9 mm	Ø.787 20 mm
228463-00	3.00" 76,2 mm	1.57" 40 mm	2.16" 54,9 mm	3.87" 98,3 mm	-	1.24" 31,5 mm	-	*M14
228463-01	4.00" 101,6 mm	1.57" 40 mm	2.16" 54,9 mm	4.87" 123,7 mm	-	1.24" 31,5 mm	-	*M14
228463-02	4.00" 101,6 mm	1.57" 40 mm	2.16" 54,9 mm	4.87" 123,7 mm	0.382" 9,7 mm	0.839" 21,3 mm	0.629" 15,97 mm	M12
228406-03	4.00" 101,6 mm	2.25" 57,2 mm	2.65" 67,3 mm	49.4" 125,5 mm	0.91" 23,1 mm	1.59" 40,4 mm	1.181" 30 mm	*M24
228517-00	.92" 23,3 mm	1.31" 33,4 mm	1.37" 34,8 mm	2.37" 60,2 mm	-	.79" 20 mm	-	M8 BOLT
228478-00	1.00" 25,4 mm	1.38" 35 mm	1.5" 38,1 mm	2.69" 68,3 mm	-	1.12" 28,5 mm	-	*M8
228478-01	1.00" 25,4 mm	1.38" 35 mm	1.5" 38,1 mm	2.56" 65 mm	-	.48" 12,3 mm	-	M12
338992-00	4.00" 101,6 mm	2.95" 75 mm	3.34" 84,8 mm	5.12" 130 mm	.276" 7 mm	1.5" 38,1 mm	1.18" 30 mm	M10F
448421-00	6.89" 175 mm	4.72" 120 mm	5.51" 140 mm	7.84" 198,3 mm	-	2.33" 59,2 mm	-	**M8F
228567-00	3.74" 95 mm	1.46" 37 mm	2.16" 54,9 mm	4.46" 113,3 mm	-	1.24" 31,5 mm	-	*M14
228578-00	1.856" 47,15 mm	0.846" 21,5 mm	1.11" 28,2 mm	2.53" 64,2 mm	-	0.590" 15 mm	-	Ø0.34" Ø8,64 mm

*NUT INCLUDED

F=INTERNAL THREAD

**2 HOLES ON Ø.787 (20MM)B.C.

SDR | Application Data Sheet

COMPANY:

CONTACT NAME:

ADDRESS:

TITLE:

.....

EMAIL:

.....

PHONE: FAX:

APPLICATION DESCRIPTION: (Please specify O.E.M./Retrofit. Describe physical/special conditions.)

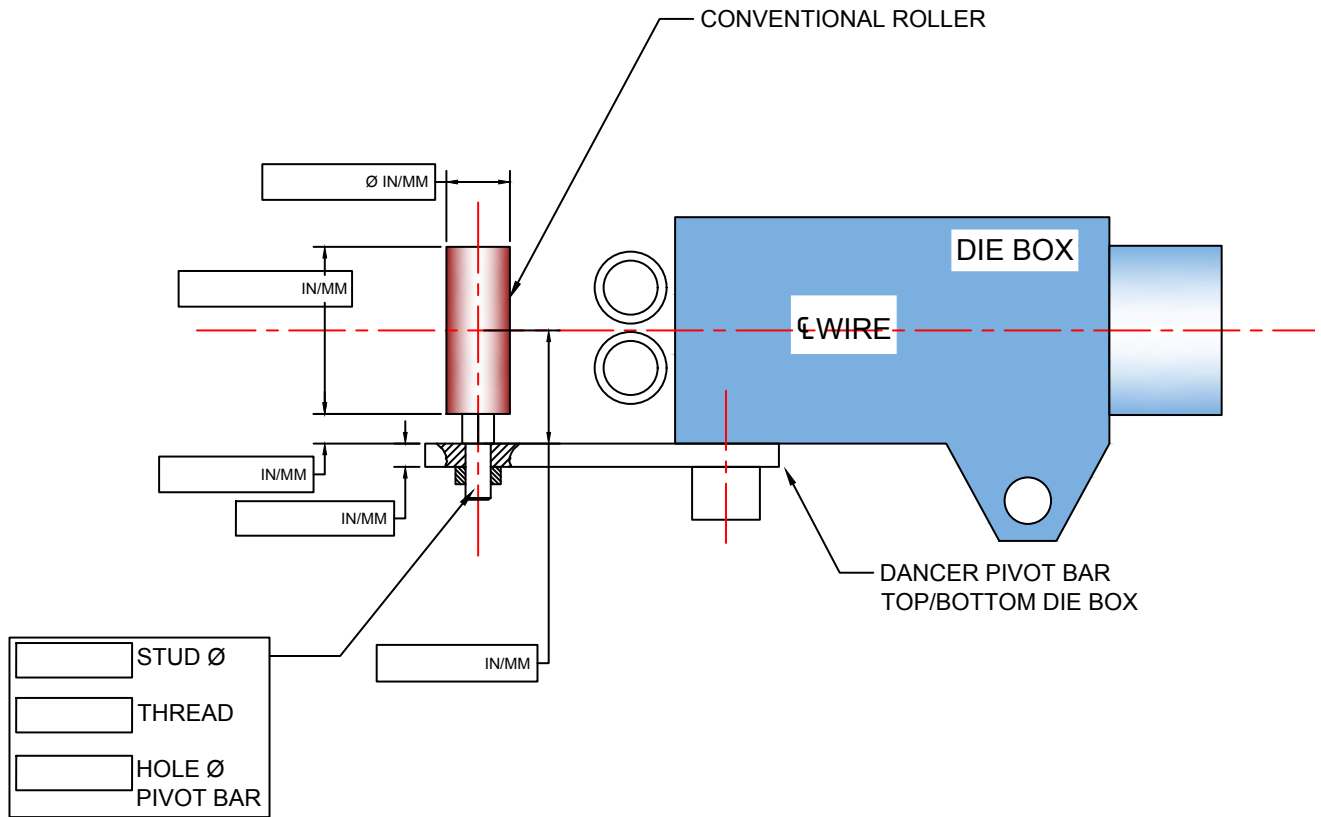
.....

.....

.....

MATERIAL:

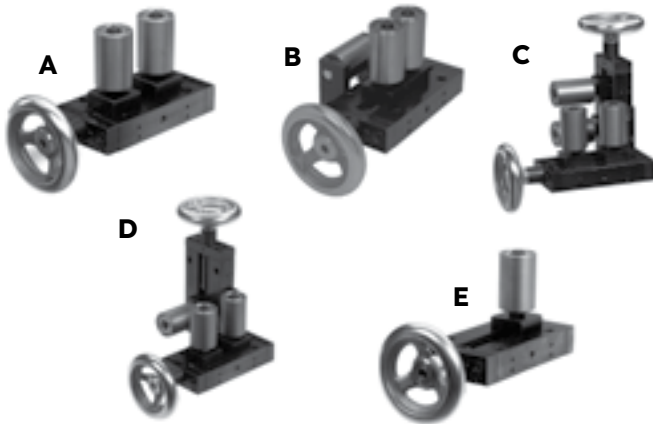
HARDNESS:



SALES@SJOGREN.COM

Providing wire tooling equipment since 1927
 982 Southbridge St. • Worcester, MA 01610 USA
 Tel 508-987-3206 • Fax 508-987-1965 • www.sjogren.com





The roller guides from Sjogren come in 2 different models:

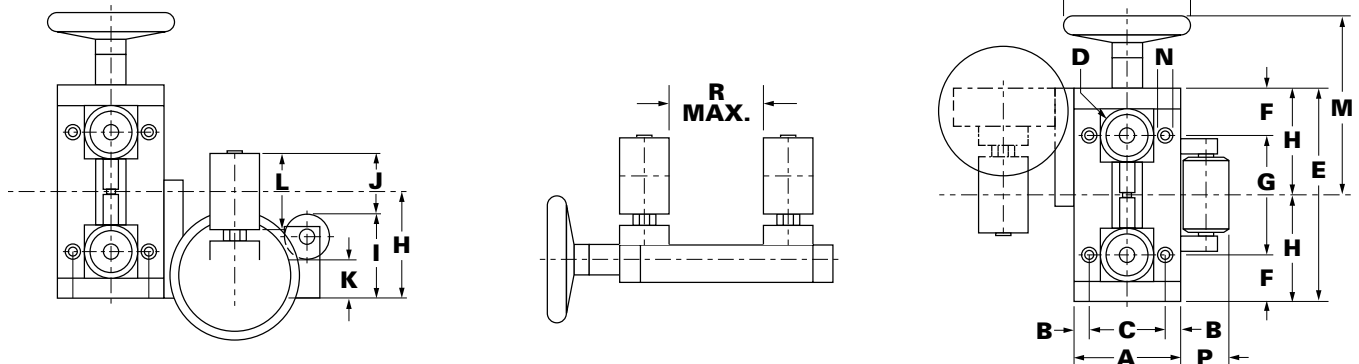
As adjustable roller guides (AR) and as roller boxes (RB).

With these three systems wire can be guided very accurately with minimal friction. However, Sjogren also offers custom made systems upon request.

► DESCRIPTION

- Modular design roller guide systems
- 5 different models and 3 sizes (A-E)
- Precision guiding for round and profile wires
- Also suitable for flat cable from a coil
- Centered adjustment of the guide rollers
- Manual adjustment via a hand wheel
- Set screw to lock in the position
- Various mounting holes for additional fixtures
- Low friction, hardened steel rollers
- Can be combined with a wire straightener for inlet and outlet control of the wire

► MEASUREMENTS



► TECHNICAL SPECIFICATIONS

	AR 12	AR 50	AR 100
Wire diameter	0,1 - 12 mm	6,0 - 50 mm	10 - 100 mm
A	1.97" / 50 mm	3.23" / 82 mm	3.94" / 100 mm
B	.24" / 6,0 mm	.49" / 12,5 mm	.39" / 10 mm
C	1.496" / 38 mm	2.244" / 57 mm	3.150" / 80 mm
Diameter D	.984" / 25 mm	1.575" / 40 mm	2.362" / 60 mm
E	3.47" / 85 mm	6.46" / 164 mm	10.24" / 260 mm
F	.79" / 20 mm	1.44" / 35,5 mm	1.97" / 50 mm
G	1.772" / 45 mm	3.661" / 93 mm	6.299" / 160 mm
H	1.67" / 42,5 mm	3.23" / 82 mm	5.12" / 130 mm
I	1.44" / 36,5 mm	2.56" / 65 mm	2.95" / 75 mm
J	.87" / 22 mm	1.89" / 48 mm	4.53" / 115 mm
K	.75" / 19 mm	1.13" / 28,6 mm	1.77" / 45 mm
L	1.26" / 32 mm	2.36" / 60 mm	4.72" / 120 mm
M	2.44" / 62 mm	5.43" / 138 mm	7.76" / 197 mm
Diameter N	.220" / 5,6 mm	.256" / 6,5 mm	.346" / 8,8 mm
Diameter O	1.0" / 25 mm	3.94" / 100 mm	5.00" / 127 mm
P	1.10" / 28 mm	1.69" / 43 mm	2.48" / 63 mm
Q	.49" / 42,5 mm	3.23" / 83 mm	5.12" / 130 mm
R	.512" / 13 mm	2.047" / 52 mm	4.331" / 110 mm

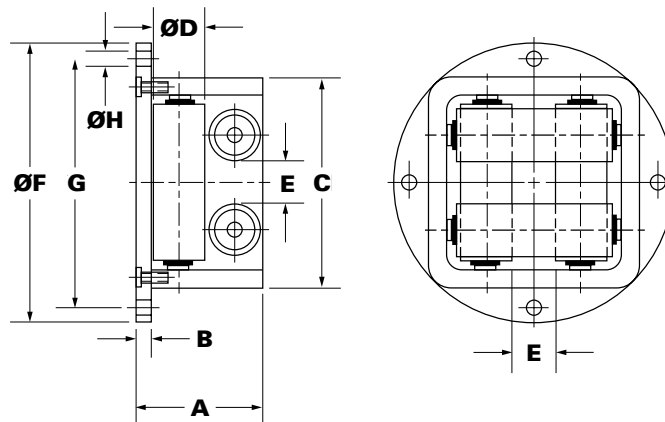
For cabling and other machine entry guide applications, Sjogren's Inlet Guide Roller Boxes (referred to as the RB guide) offer a reliable, easily installed solution to marking problems.

The durable hardened steel rollers are low maintenance, and the units are available in a wide range of sizes.



- 4 models in different sizes
- Very cost effective guiding elements
- Precision guides for wires and cables
- Low friction rollers protect against wear
- Rugged base with mounting holes
- One pair each of vertical and horizontal rollers
- Low friction, hardened steel rollers
- Very simple flange mounting

► MEASUREMENTS



► TECHNICAL SPECIFICATIONS

	RB 5M PART #338444-01	RB 10M PART #338320-02	RB 20M PART #447697-00	RB 30 PART #447648-00
Wire Diameter	up to .197" up to 5 mm	up to .394" up to 10 mm	.394"-.787" 10-20 mm	.394"-1.181" 10-30 mm
A	1.44" 36,6 mm	2.68" 68 mm	3.70" 94 mm	5.42" 137 mm
B	.19" 4,8 mm	.31" 8,0 mm	.31" 8,0 mm	.5" 12 mm
C	2" 51 mm	4" 102 mm	5.5" 140 mm	8" 203 mm
Diameter D	.5" 12,7 mm	1.102" 28 mm	1.496" 38 mm	1.875" 48,5 mm
E	.433" 11 mm	.787" 20 mm	1.260" 32 mm	2.953" 75 mm
Diameter F	3" 76 mm	5.31" 135 mm	7.5" 190 mm	11.81" 300 mm
G	2.520" 64 mm	4.724" 120 mm	6.693" 170 mm	10.433" 265 mm
Diameter H	.220" 5,6 mm	.276" 7,0 mm	.281" 7,0 mm	.359" 9,6 mm

The Motorized Die Stringer, designed for the wire drawing industry, provides a method for stringing

dies on wire leader for subsequent loading into wet draw machines.

▶ FEATURES:

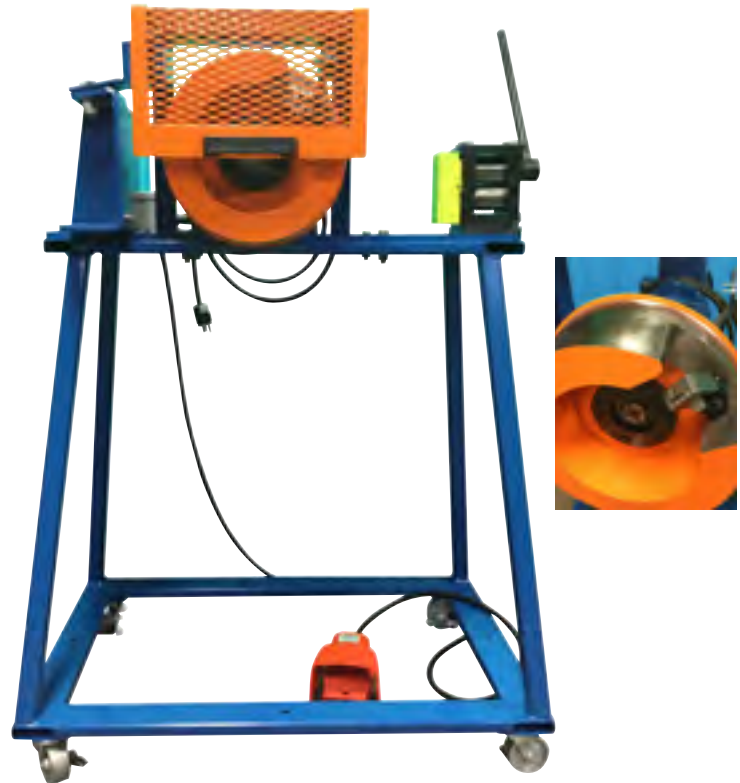
- 305 mm diameter drum with integral S&H-style wedge grip and interlocked safety guard
- Clutch type mounting of drum for manual positioning
- Triple reduction gear reducer to rotate drum at 20 RPM
- 3/4 HP, single phase, 115/230 VAC motor with foot switch
- Swiveling die support bracket with reservoir for lubricant
- Capacity is .188" to .025" (0,635 mm to 4,775 mm) diameter wire with 177 kg (390 lbs.) maximum pull
- Supplied as benchtop unit or on a rolling pedestal (as shown)
- Includes an interlocked safety guard (not shown)
- Foot pedal operation allows the operator to be in complete control
- Shown with optional Hand Pointer unit which can be powered

▶ BENEFITS:

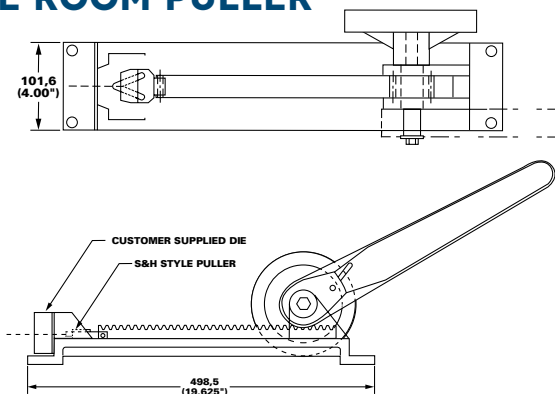
- Time saving device improves operator efficiency
- Eliminates operator string-up injuries

▶ APPLICATIONS:

- The Motorized Die Stringer is used by the wire industry to simplify the stringing of wet draw machines.



▶ DIE ROOM PULLER



For Checking Size of Die after Grinding

PART NO.	GRIP HEAD MODEL	MAX. WIRE SIZE	MIN. WIRE SIZE	WEIGHT (LBS.) (KG)
404236-01	SH #0	.078" 2,0 mm	—	29.5 lbs 13,4 kg
404236-00	SH #1	.156" 4,0 mm	.0625" 1,6 mm	29.5 lbs 13,4 kg
404236-02	SH #2	.203" 5,2 mm	.125" 3,2 mm	30 lbs 13,6 kg
404236-03	SH #3	.375" 9,5 mm	.0937" 2,4 mm	30.5 lbs 13,9 kg
404236-04	SH #4	.5" 12,7 mm	.25" 6,3 mm	31.75 lbs 14,4 kg

NOTE: Maximum pull for all sizes is 1,500 lbs (680,4 kg).

The Hand Pointer provides a simple solution to the wire pointing process. It is operated by rotating the handle back and forth 90° while feeding the wire in

and out of the appropriate size opening in the rolls. One to three grooved rolls are used to taper the wire until the point reaches the desired size and length.

► FEATURES:

- Compact and lightweight to fit on any work surface— 7.87" x 6.30" x 3.70" (200 mm x 160 mm x 95 mm) and only 25 lbs. (11.4 kg)
- Easily mounted at a work site or on a separate pedestal mounting stand using four M10 bolts
- Gear-driven roll shafts are supported on needle bearings and then grease-packed for longevity and reliability
- Grooved rolls are made from through hardened tool steel and heat treated to Rc 59-61 for durability
- 15 grooves to point wire diameters from 0,45 mm to 4mm (.018" to .156")
- Rugged, steel-plate construction with black oxide finish

► BENEFITS:

- Saves time and money by eliminating hand grinding/filing methods
- No need for electricity
- Flexible mounting options

► APPLICATIONS:

- The Hand Pointer is used to sufficiently reduce the wire diameter to allow the wire to pass through a drawing die. Once enough material has passed through the die it can be gripped by a puller and then drawn around the block. This process is repeated using a series of dies until the desired size is achieved.



The Bench Top Wrap Tester is used to test spring wire for ductility, or to test the adhesion of metallic coatings. It accommodates wire diameters from 1,2mm to 9,5mm (.050" to .375"), and features an

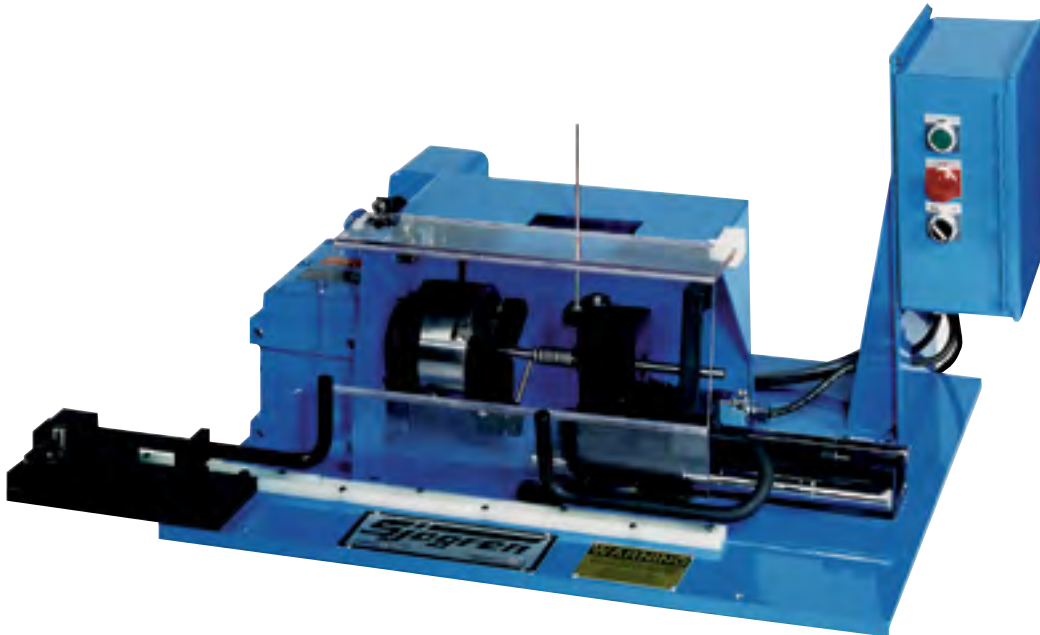
interlocked guard to ensure operator safety. Meets American Wire Producers Association steel products testing specifications.

► FEATURES:

- Wire Size Range: .050" to .375" (1,27 mm to 9,5 mm) diameter spring wire
- Mandrel Capacity: .050" to 1.5" (1,27 mm to 38 mm) diameter
- Drive Unit: .5 HP; 115 volts AC; 15 RPM output
- Number of Wraps: 5 minimum
- Dimensions: 28" wide x 52" long x 22" high (71 cm x 132 cm x 56 cm)
- Weight: Approximately 400 lbs. (182 kg)

► BENEFITS:

- Wire guide assembly mounted to a sliding carriage to support mandrel and control sample wrap spacing
- Interlocked guard allows for visual inspection throughout process while ensuring operator safety



Sjogren's Torsion Twist Tester comes in three models to address a wide range of applications, and features 12 possible twisting programs with memory of the complete cycle. The Torsion Twist

► FEATURES:

• LD MODEL

- 1/3 HP 220V; 3 Amp; 1 PH, 60Hz
- Input Range: .010" to .090" (0,25 mm to 2,3 mm)
- Max. Material Tensile Strength: 450,000 PSI (3100 Mpa)
- Sample Length Capacity: 2" to 15" (0,50 mm to 380 mm)
- Max. Operating Speed: 120 RPM
- Machine Dimensions: 56" wide x 27" deep x 50" high (1,422 mm x 685 mm x 1,270 mm)
- Working height to the centerline of wire is 39" (1000 mm)

• MD MODEL

- 1 Hp, 220 VAC; 5 Amp; 1 PH, 50/60 Hz
- Input range: .15" to .375" (3,81 mm to 9,53 mm)
- Max Material Tensile Strength: 70,000 PSI (483 Mpa) Copper or aluminum
- Sample Length Capacity: 6" to 20" (152 mm to 500 mm)
- Maximum operating speed: 60 RPM.

Tester is used whenever wire needs to be tested for brittleness, inclusions, hidden seams, and other flaws, such as with high carbon steel wire or copper/aluminum rod.

• HD MODEL

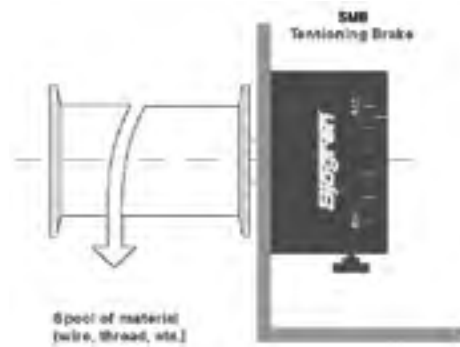
- 1-1/2 HP 220V; 10 Amp; 1 PH, 60Hz
- Input Range: .090" to .312" (2,3 mm to 8,0 mm)
- Max. Material Tensile Strength: 450,000 PSI (3100 Mpa) or with extended capacity up to .375" (9,5 mm) dia. material at 220,000 PSI (1860 Mpa)
- Sample Length Capacity: 6" to 24" (150 mm to 610 mm)
- Max. Operating Speed: 30 RPM
- Machine Dimensions: 56" wide x 27" deep x 50" high (1,422 mm x 685 mm x 1,270 mm)
- Working height to the centerline of wire is 39" (1000 mm)

► BENEFITS:

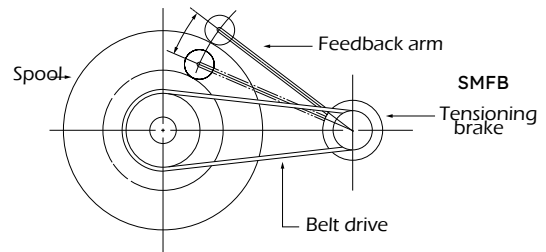
- Programmable counter with automatic forward/reverse capability; includes digital display and positive holding chucks with replaceable jaws
- Safe, semi-automatic operation provides consistent output test results: meets ASTM Test Specifications E558 and A938



HYSTERESIS BRAKES



Usual set-up for tensioning wire, film, etc. on pay-off.
Note: Tension will vary as material diameter changes.



► DESCRIPTION

The Sjoeren hysteresis brakes are used to provide controlled tension or torque during spooling, unwinding, tightening or other similar machine operations. The rugged brakes provide constant torque regardless of the rotation speed. They ensure smooth startup and uniform movements even as the diameters change. The brakes operate according to the principle of permanent magnetic dual disks hysteresis. Units can be used for powertrain overload protection. This magnet technology does not require an external power supply and is virtually maintenance and wear-free.

An integrated scale makes it easy to adjust and repeat the settings. Custom designed models are possible. The hysteresis brakes are available with and without feedback control. The feedback control operates via a rocker arm which follows the unwinding spool for changes to its diameter and thereby automatically decreases the torque setting. Reducing the torque setting automatically will maintain a constant line tension from full to empty spool during payoff.

► TECHNICAL SPECIFICATIONS

MODEL	TORQUE RANGE	MAX. RPM AT MIN. TORQUE	MAX. RPM AT MAX. TORQUE	MAX. MOMENT ON SHAFT
SMB-0.75	.13-.75 in-lb	3000 rev/min	1350 rev/min	2 in-lb
SMB-1.25 M	0.6-1.25 in-lb	2000 rev/min	800 rev/min	40 in-lb
SMFB-1.25 M	0.6-1.25 in-lb	1500 rev/min	750 rev/min	30 in-lb
SMB-12 M	1-12 in-lb	1000 rev/min	175 rev/min	80 in-lb
SMFB-12 M	1-12 in-lb	1000 rev/min	175 rev/min	30 in-lb
SMB-12 HDM	1-12 in-lb	1000 rev/min	175 rev/min	300 in-lb
SMB-12 HDSM	2-12 in-lb	1000 rev/min	175 rev/min	600 in-lb
SMB-25 M	2-22 in-lb	1000 rev/min	250 rev/min	200 in-lb
SMFB-25 M	2-22 in-lb	1000 rev/min	250 rev/min	200 in-lb
SMB-60 M	5-60 in-lb	1000 rev/min	200 rev/min	1000 in-lb
SMFB-60 M	5-60 in-lb	1000 rev/min	200 rev/min	500 in-lb
SMB-120 M	10-120 in-lb	1000 rev/min	200 rev/min	1000 in-lb

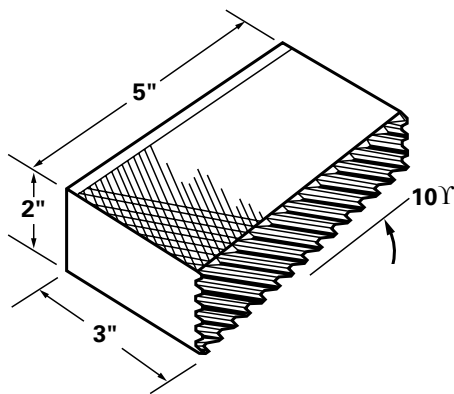
SMB models without feedback control; SMFB models with feedback control
Further specifications and measurements available upon request or visit our website at sjogren.com



Sjogren can design custom testing jaws for your specific application, as well as making replacement jaws for the most common types of tensile testing equipment: **Baldwin/Satec style, Tinius Olsen style, and Instron style.**

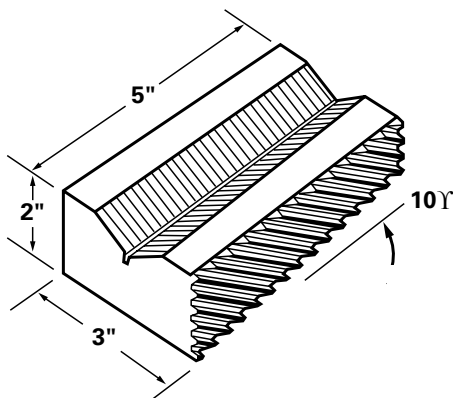
- Sjogren tensile testing replacement jaws feature our proprietary tooth pattern, providing superior durability and grip while remaining compatible with your current equipment.
- We can manufacture a custom shape jaw based on CAD files you provide to us, or by recreating specifications directly from a part you supply.

▶ BALDWIN/SATEC-STYLE: 120,000# CAPACITY FLAT WEDGE GRIP



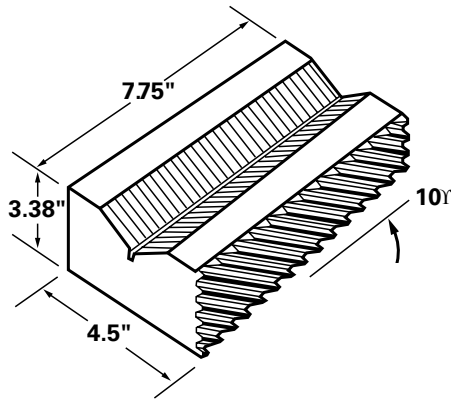
PART NO.	DESCRIPTION	TPI
447521-02	Flat Jaw Set	10
447521-03	Flat Jaw Set	16

▶ BALDWIN/SATEC-STYLE: 120,000# CAPACITY VEE WEDGE GRIP



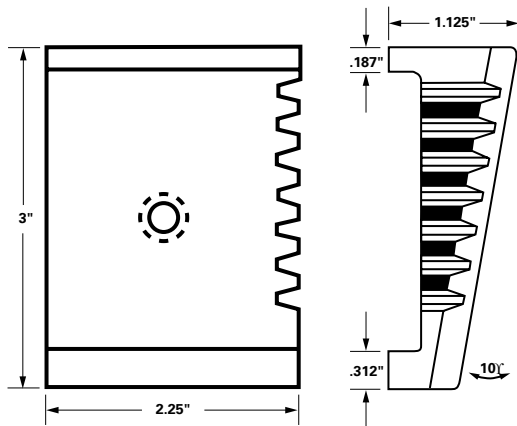
PART NO.	DESCRIPTION	TPI
447521-04	Vee Jaw Set	16

▶ BALDWIN/SATEC-STYLE: 400,000# CAPACITY VEE WEDGE GRIP



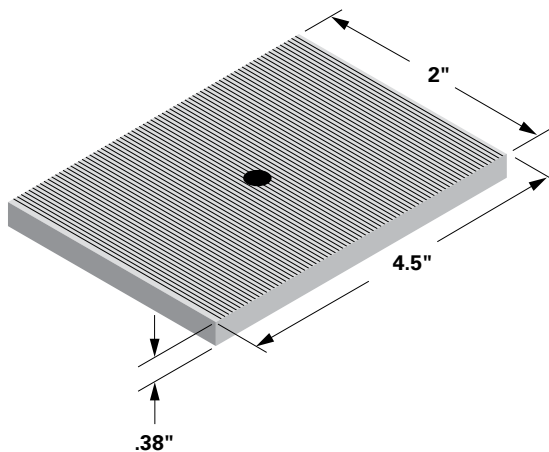
PART NO.	DESCRIPTION
447639-01	Top Left Jaw
447639-02	Top Right Jaw
447639-03	Bottom Left Jaw
447639-04	Bottom Right Jaw
885961-00	Vee Jaw Set

▶ BALDWIN/SATEC-STYLE: 120,000# CAPACITY WEDGE BLOCK



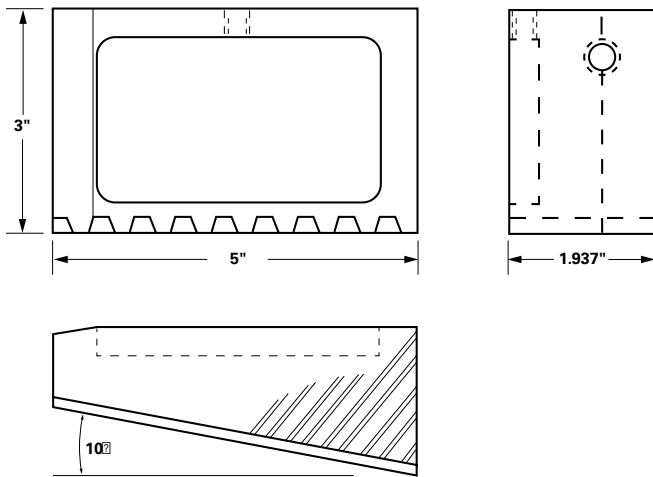
PART NO.	DESCRIPTION
338058-02	Upper Right/Lower Left
338058-01	Upper Left/Lower Right

▶ BALDWIN/SATEC-STYLE: 120,000# CAPACITY INSERT



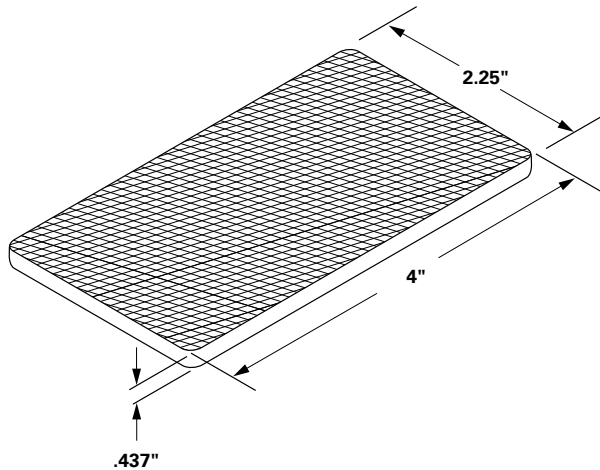
PART NO.	TPI	PATTERN
227137-01	10	Single Cut
227137-02	16	Single Cut
227137-03	20	Single Cut
227137-04	25	Single Cut
227137-05	40	Single Cut

▶ BALDWIN/SATEC-STYLE: 120,000# CAPACITY WEDGE BLOCK (LARGE)



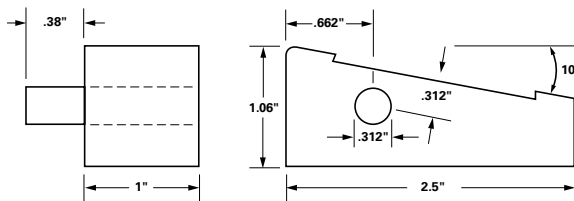
PART NO.	DESCRIPTION
447938-00	4 pc. Holder Set
447937-00	8 pc. Holder & Insert Set

▶ BALDWIN/SATEC-STYLE: 120,000# CAPACITY INSERT (LARGE)



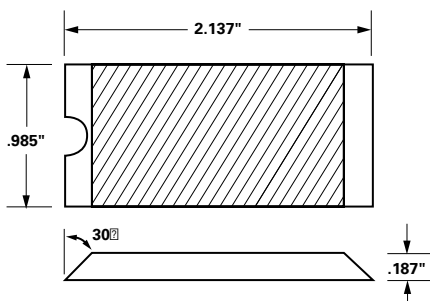
PART NO.	TPI	PATTERN
228045-00	20	Diamond
228045-01	20	Diamond

▶ INSTRON-STYLE TEMPLIN GRIP HOLDERS: BLOCK (GRIFF T7S)



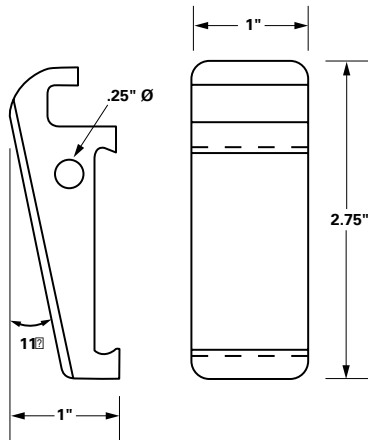
PART NO.	DESCRIPTION
227294-00	Templin Holder

▶ INSTRON-STYLE TEMPLIN GRIP INSERTS: INSERT (GRIFF T7S)



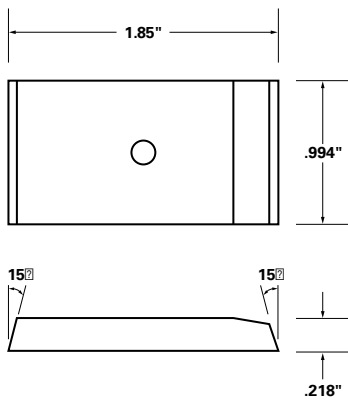
PART NO.	TPI	PATTERN
118516-01	16	Diamond
118516-02	16	Single Cut

▶ INSTRON-STYLE: WEDGE BLOCKS FOR Ø 0-.500"



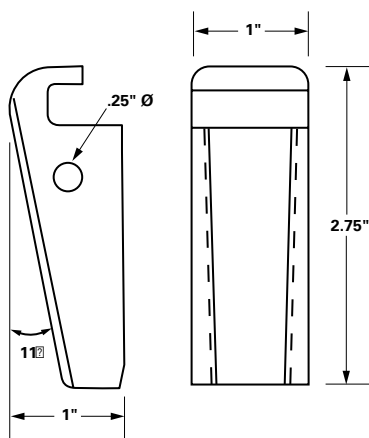
PART NO.	DESCRIPTION
338110-00	Holder
338335-01	Holder - Left
338335-02	Holder - Right
885903-00	Holder Set

▶ INSTRON-STYLE: INSERT



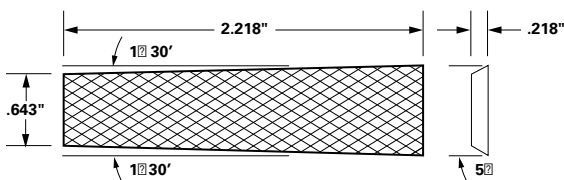
PART NO.	TPI	PATTERN
118364-02	40	Diamond
118364-03	25	Diamond
118364-04	20	Diamond
118364-05	16	Diamond

▶ INSTRON-STYLE: WEDGE BLOCKS FOR Ø 0-.500" NARROW



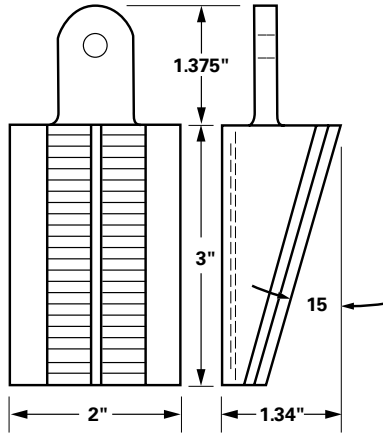
PART NO.	DESCRIPTION
206396-00	Holder

▶ INSTRON-STYLE: TAPERED INSERT



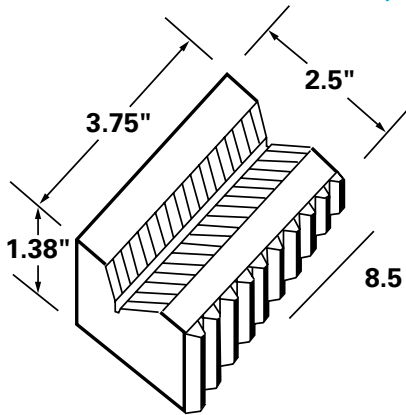
PART NO.	TPI	PATTERN
107446-02	40	Diamond
107446-03	25	Diamond
107446-04	20	Diamond
107446-05	16	Diamond

▶ TINIUS OLSEN STYLE: 30,000# CAPACITY VEE WEDGE GRIP (GRIFF ZV-85)



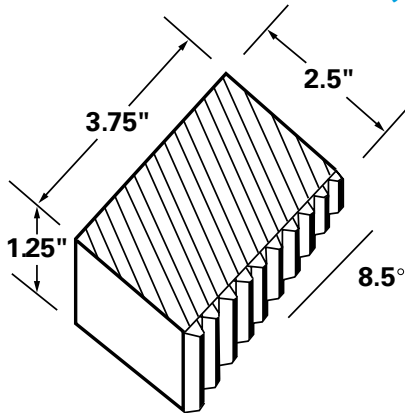
PART NO.	DESCRIPTION
227717-00	Left Hand
227716-00	Right Hand
886096-00	Vee Jaw Set

▶ TINIUS OLSEN STYLE: 60,000# CAPACITY VEE WEDGE GRIP (GRIFF ZV-79)



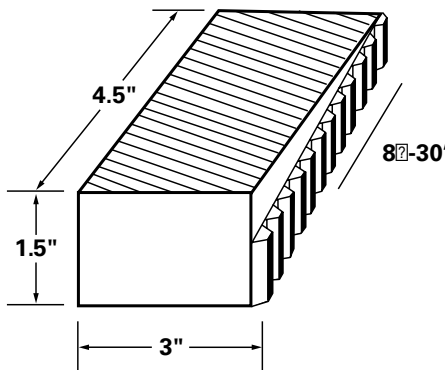
PART NO.	DESCRIPTION
227706-00	Left Hand
227705-00	Right Hand
886083-00	Vee Jaw Set

▶ TINIUS OLSEN STYLE: 60,000# CAPACITY FLAT WEDGE GRIP (GRIFF Z-79)



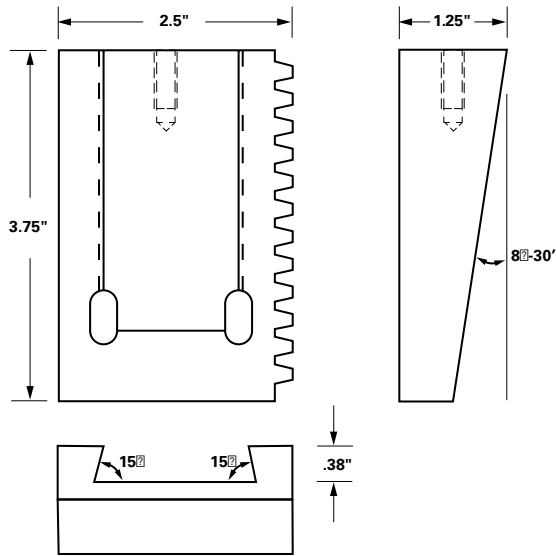
PART NO.	DESCRIPTION
227428-00	Left Hand
227427-00	Right Hand
885980-00	Flat Jaw Set

▶ TINIUS OLSEN STYLE: 120,000# CAPACITY FLAT WEDGE GRIP (GRIFF Z-89)



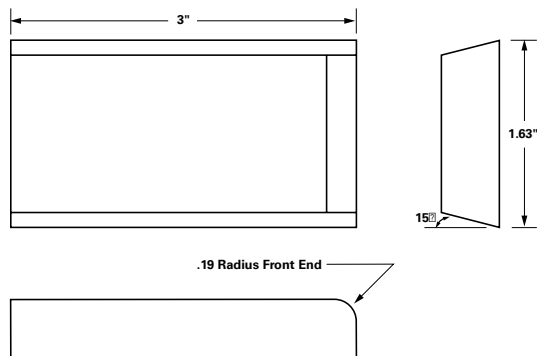
PART NO.	TPI	PATTERN
447523-02	10	Diamond
447523-03	16	Diamond

▶ TINIUS OLSEN STYLE: 60,000# CAPACITY WEDGE BLOCK (GRIFF 79)



PART NO.	DESCRIPTION
886211-00	Wedge Block Set
206077-00	Wedge Block - Left
206078-00	Wedge Block - Right

▶ TINIUS OLSEN STYLE: 60,000# CAPACITY WEDGE INSERT (GRIFF 79)



PART NO.	TPI	PATTERN
106649-00	25	Diamond
106649-02	40	Diamond
106649-03	20	Diamond
106649-04	16	Diamond
106649-05	40	Diagonal
106649-06	25	Diagonal
106649-07	20	Diagonal
106649-08	16	Diagonal
106667-00	16	Vee Style Set/Diagonal
106648-02	16	Vee Style—Left/Diagonal
106648-01	16	Vee Style—Right/Diagonal

PART NO.	TPI	PATTERN
118362-00	25	Diamond
118362-02	40	Diamond
118362-03	20	Diamond
118362-04	16	Diamond
118362-05	40	Diagonal
118362-06	25	Diagonal
118362-07	20	Diagonal
118362-08	16	Diagonal

At Sjogren Industries, we pride ourselves on being a trusted partner for businesses worldwide. Here's why working with us is the right choice for your operation:

Expertise You Can Rely On

With decades of experience, we specialize in material handling and straightening equipment. Our deep industry knowledge ensures we deliver solutions tailored to your unique challenges.

Uncompromising Quality

Our products are built to last. We are committed to delivering durable, reliable, and innovative equipment that minimizes downtime and maximizes efficiency.

Custom Solutions for Your Needs

Every operation is different, and we understand that. That's why we work closely with you to develop customized solutions that align perfectly with your goals.

A Reputation You Can Trust

Our long-standing reputation for reliability and excellence is a testament to the trust businesses place in us. When you partner with Sjogren, you're choosing a company with proven results.

Superior Technical Support

We stand by our products with exceptional service and support. From installation to maintenance and troubleshooting, our team is here to ensure your operation runs smoothly.

Global Reach with Local Care

Serving clients around the world, we deliver consistent quality on a global scale while maintaining the personalized service you deserve.

Driven by Innovation

We are constantly enhancing our technologies to stay ahead of industry demands. When you work with us, you gain a forward-thinking partner committed to your success.

Shortest Lead Time

Not only will your products be on-time, but because of our capabilities and automations, you can expect the shortest lead times in the industry.

Warranty Guarantee

We stand behind the quality of our products with comprehensive warranties available by request, giving you peace of mind and assurance in your investment.

At Sjogren Industries, we don't just provide equipment—we provide solutions. Let us help you achieve your operational goals with our trusted expertise and superior service.

As a global supplier of wire straightening tools and quality assurance testing tools and equipment that is focused on delivering durable, customized solutions on time and with the shortest lead time in the industry... we need the right people, and the right mindset to bring our best to the table. Learn more about the core values of the Sjogren Industries team, and what it brings to your table.



▶ EMPOWERMENT

"We provide for an environment where individuals are given autonomy, authority and resources to make decisions and take ownership of their work." This involves trusting and supporting employees to develop their skills, contribute meaningfully, and take initiative in achieving or succeeding organizational goals."



▶ TEAM

"Together, Everyone Achieves More! Suppliers and customers included. We maintain an environment and live a culture that consistently delivers more than the sum of the individual entities' potential."



▶ EMPLOYEE FIRST

"We respect the well-being, growth, and satisfaction of employees within the organization. We foster and develop a friendly, supportive, and inclusive work environment based on fairness, recognition, accountability, and trust."



▶ ACCOUNTABLE

"We take responsibility for our actions, decisions, and outcomes. We hold each other accountable to ensure we are able to consistently deliver results, with integrity and excellence."

◀ QUALITY

"We are committed to excellence and the continuous pursuit of superior standards in products, services and processes."



◀ COMMUNICATE

"We value open and transparent communication as the foundation for collaboration, understanding, and success."



◀ EMBRACE CHANGE

"We are committed to adaptivity, flexibility, and openness to new ideas, technologies and methods."



◀ HONESTY

"Honesty is our foundation for trust, integrity, credibility, and dependability."





**STRAIGHTENER
ROLLS**



**WIRE
STRAIGHTENERS**



**WIRE
TOOLING
EQUIPMENT**



www.sjogren.com
**MADE IN
USA**



Sjogren[®]
Industries

**MANUFACTURER
of
PRECISION WIRE TOOLING
for
FERROUS & NON-FERROUS WIRE**