

PULLER | Application Data Sheet

COMPANY:

CONTACT NAME:

ADDRESS:

TITLE:

.....

EMAIL:

.....

PHONE: FAX:

APPLICATION DESCRIPTION: (Please specify O.E.M./Retrofit. Describe physical/special conditions.)

.....

.....

.....

MATERIAL:

SMALLEST POINTED WIRE DIAMETER mm in

OPERATOR'S STYLE PREFERENCE:

- Morgan Vaughn
- S&H S&H T-R

MAX PULL FORCE - 1ST DIE ONLY

1. Drawn Wire Diameter mm in

2. Required Maximum Die Pull

OR

- kgF
- N
- lbF

Undrawn Tensile Strength mPa KPSI
and 2 of the 3 items listed below

Drawn Wire Diameter: mm in

% Reduction mm in

Initial Wire Diameter mm in

TYPE OF MACHINE:

- Bullblock Inverted Bullblock
- Multiple Hole Drawing Machine
- Other

Block/Capstan Diameter mm in

Required Puller Assembly Length mm in

CHAIN STYLE:

- Link/Hoisting Leaf
- Roller Safety

CONNECTION TYPE:

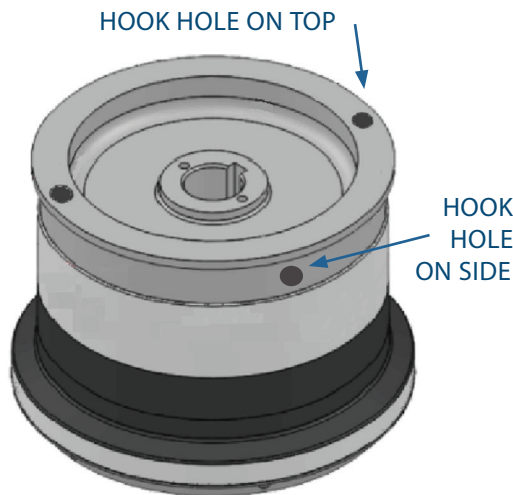
- Round Hole Post
- top mount
- side mount

Key Slot

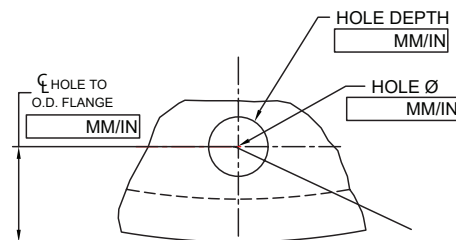
Vaughn Style

Other

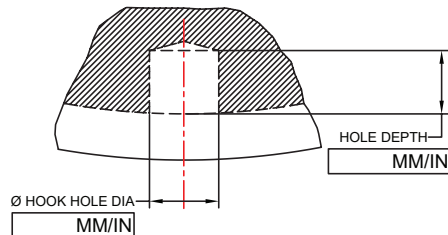
Preferred Hook



TOP HOLE HOOK SPECIFICATIONS



SIDE HOLE HOOK SPECIFICATIONS



SALES@SJOGREN .COM

Providing wire tooling equipment since 1927
982 Southbridge St. • Worcester, MA 01610 USA
Tel 508-987-3206 • Fax 508-987-1965 • www.sjogren.com

